



Volume Booster TS100 Series

- Fast Response
- Adjustable Response
- Soft Seat Sealing
- Simplified Maintenance

tissin
Solutions for control valve system

Volume Booster TS100 Series

Description

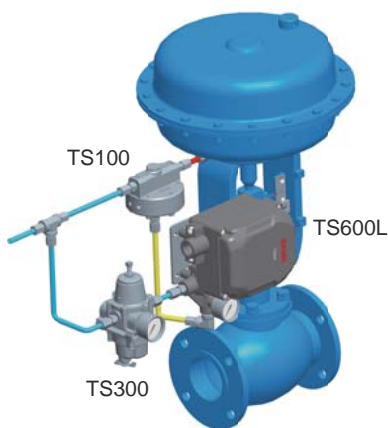
Volume Booster TS100 is one-to-one Signal to output supply Air, when used with a positioner/actuator, it is a control device to increase the stroking speed of control valves.



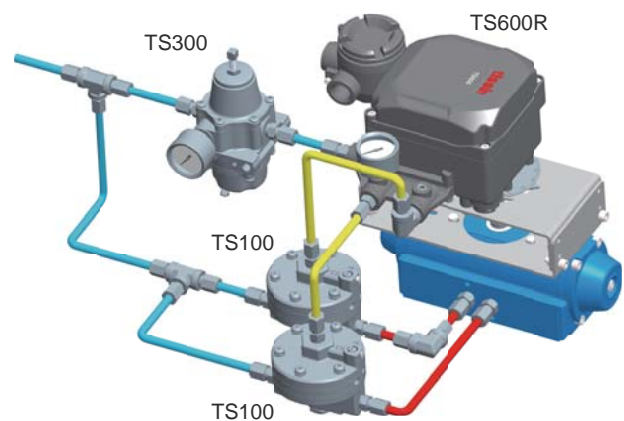
Features

- + Precise and fast response
- + Soft seats provide tight shut off
- + Adjustable Sensitivity
- + Options available (High and Low temperature)
- + Small size and light weight

Installation examples



Single actuator



Double actuator

Volume Booster TS100 Series

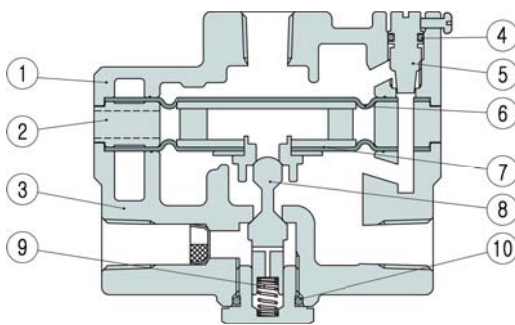
Specifications

| | | |
|----------------------------|-----------------------------|-----|
| Model | TS100 | |
| Max supply pressure | 1MPa | |
| Signal and output pressure | 0.4~0.7MPa | |
| Signal to output ratio | 1:1 | |
| Linearity | 1% | |
| Flow capacity (CV) | Exhaust | 1.3 |
| | Output | 1.2 |
| Signal port | NPT1/4, PT1/4 | |
| Supply / Output port | NPT1/4, PT1/4 | |
| Ambient temperature | -20°C ~70°C (Standard type) | |
| Material | Aluminum die cast | |
| Weight | 0.55kg | |

Product number

| | | | |
|---------------------|---|--------|-------------|
| Model | TS100 | | |
| Air connection | NPT1/4 PT1/4 | N P | |
| Ambient temperature | -20°C~70°C -20°C~120°C -40°C~70°C | | S H L |

Materials of construction



| No. | Title | Material | No. | Title | Material |
|-----|--------------|----------|-----|-----------------|----------|
| 1 | Cover | ALDC12 | 6 | Diaphragm upper | NBR |
| 2 | Ring exhaust | ALDC12 | 7 | Ass'y diaphragm | AL/NBR |
| 3 | Body | ALDC12 | 8 | Poppet | STS |
| 4 | O-ring | NBR | 9 | Spring seat | STS |
| 5 | Adjust screw | STS | 10 | O-ring | NBR |

Dimension [Unit:mm]

