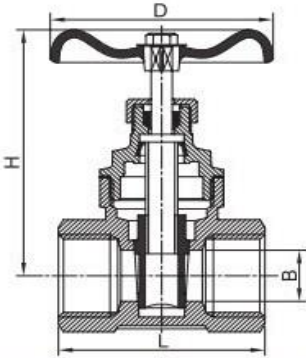


## BRASS GATE VALVE

SERIES AB101

**Nominal Pressure:** PN16  
**Medium:** Water, non-corrosive fluids, steam & fluids compatible to the "material of construction"  
**Temperature:** -20°C to 150°C  
**Pipe thread:** According to ISO 228/1



Material of construction:

Parts	Material
Body	Brass
Bonnet	Brass
Disc	Brass
Stem	Brass
Gland Nut	Brass
Gland Packing	PTFE
Gasket	Brass
Hand Wheel	Cast Iron

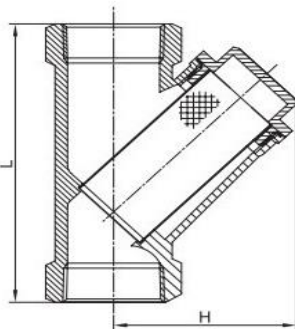
Size	1/2"	3/4"	1"	1-1/4"	1-1/2"	2"	2-1/2"	3"	4"
L	43.0	46.0	52.0	55.0	58.0	66.5	88.0	91.0	110.0
H	72.1	76.7	87.6	100.0	110.7	130.2	163.5	190.0	235.0
D	55.0	55.0	60.0	72.0	72.0	80.0	100.0	108.0	130.0
B	13.0	17.0	21.0	27.0	34.0	45.0	56.0	68.0	90.0

The specification and dimensions are subject to change without prior notice!

## BRASS Y-STRAINER

SERIES AB604

**Nominal Pressure:** PN 16  
**Medium:** Water, non-corrosive fluids & fluids compatible to the "material of construction"  
**Temperature:** -20°C to 100°C  
**Pipe thread:** According to ISO 228/1



Material of construction:

Parts	Material
Body	Brass
Cap	Brass
Screen	SS304
Gasket	PTFE
Mess	40/20(1-1/2", 2")

Size	1/2"	3/4"	1"	1-1/4"	1-1/2"	2"	2-1/2"	3"	4"
L	57.0	72.0	74.5	95.0	105.0	129.0	NA	160.5	
H	34.5	39.5	43.0	54.0	61.5	74.5	NA	90.0	

The specification and dimensions are subject to change without prior notice!