

**DESCRIPTION**

AUTOMA Safety Relieve Valve is used to control or limit the pressure or vessel which can build up by a process upset, instrument or equipment failure. It is designed to relieving excess pressure when line pressure is above the adjustable set pressure.

**SPECIFICATION**

- Bronze casting body
- Working pressure 0.3 to 10bar, optional 11 to 20bar
- Working temperature -45 to 185° C
- Threaded male inlet, female outlet
- Options for PTFE seat

**APPLICATIONS**

- Suitable for hot water, steam, gas and non-corrosive fluid

**#AT1000S/L - SEALING / LEVER TYPE**

**MATERIAL LIST**

PART NAME	MATERIAL	
	AT1000S	AT1000L
1.Body	Bronze	Bronze
2.Seat	Brass	Brass
3.Spindle	Brass	Brass
4.Spring seat	Brass	Brass
5.Disc	Brass	Brass
6.Cap	Brass	Bronze
7.Spring	Steel	Steel
8.Adjusting nut	Brass	Brass
9.Adjusting rod	Brass	Brass
10.Handle	--	Steel



**DIMENSIONS (mm)**

Size (inch)	1/2	3/4	1	1-1/4	1-1/2	2
DN	15	20	25	32	40	50
D	13	19	25	32	38	50
P1	1/2" PT	3/4" PT	1" PT	1-1/4" PT	1-1/2" PT	2" PT
P2	1/2" PT	3/4" PT	1" PT	1-1/4" PT	1-1/2" PT	2" PT
L1	32	36	40	52	58	65
L2	48	55	65	75	86	100
H1	156	169	199	223	243	284
H2	137	145	175	198	225	256
AT1000S (kg)	0.48	0.64	1.07	1.74	2.33	3.57
AT1000L (kg)	0.58	0.72	1.22	1.91	2.41	3.94

The specification and dimensions are subject to change without prior notice!

**DESCRIPTION**

AUTOMA Safety Relieve Valve is used to control or limit the pressure or vessel which can build up by a process upset, instrument or equipment failure. It is designed to relieving excess pressure when line pressure is above the adjustable set pressure.

**SPECIFICATION**

- Stainless steel casting body
- Working pressure 0.3 to 10bar, optional 11 to 20bar
- Working temperature -45 to 185° C
- Threaded male inlet, female outlet
- Options for PTFE seat

**APPLICATIONS**

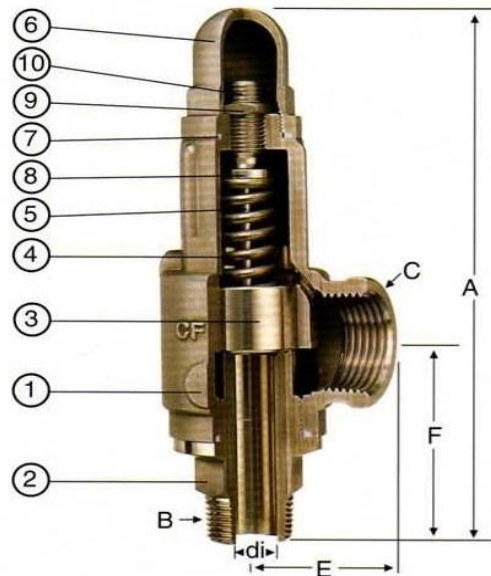
- Suitable for hot water, steam, gas and corrosive fluid

**#AT1000S6/L - SEALING / LEVER TYPE**



**MATERIAL LIST**

PART NAME	MATERIAL	
	AT1000S6	AT1000S6L
1.Body	CF8M	CF8M
2.Seat	CF8M	CF8M
3.Disc	SS316	SS316
4.Spring	SS304	SS304
5.Stem	SS316	SS316
6.Cap	CF8M	CF8M
7.Packing	PTFE	PTFE
8.Spring Seat	SS304	SS304
9.Nut	SS304	SS304
10.Adjusting Scre	SS304	SS304
11.Handle	N/A	SS304



**DIMENSIONS (mm)**

Size (inch)	1/2	3/4	1	1-1/4	1-1/2	2
DN	15	20	25	32	40	50
di	13	19	25	32	38	50
A	176	176	180	255	260	260
B	1/2" PT	3/4" PT	1" PT	1-1/4" PT	1-1/2" PT	2" PT
C	1" PT	1" PT	1" PT	2" PT	2" PT	2" PT
E	40	40	40	66	66	66
F	67	67	71	93	98	98
AT1000S6 (kg)	1.1	1.2	1.2	4.5	4.6	4.6
AT1000S6L (kg)	1.2	1.3	1.3	4.6	4.7	4.7

The specification and dimensions are subject to change without prior notice!