



GP SOLENOID VALVE #GPWS



2/2-way Forced Lifting, Normally Closed

Function:

Non-energised closed by spring power (NC)

When energised, the plunger opens the pilot orifice, relieving pressure from the top of the diaphragm via the outlet side of the valve. The line pressure then opens the valve by lifting the diaphragm off the main orifice.

Compatible Fluids:

Air, Inert Gases, Water, Hydraulic Fluids, Petroleum Products and additional fluids compatible with materials of construction

Installation:

The valves can be mounted in any position. It is however recommended to install them with the coil in vertical position above the body.

Notes:

We recommend to install a strainer or filter before the valve if fluid is contaminated

Body Material: Stainless Steel SUS316
 Sealing Material: VITON
 Pressure Range: 0~10bar

Fluid Temperature:

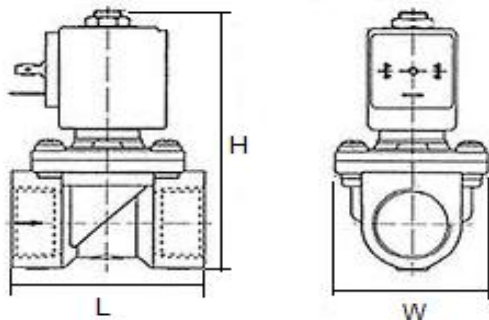
VITON 110° C
 Ambient 50° C
 Enclosure: DIN43650A, IP65

Voltage Available:

AC 24, 48, 110, 240V 50Hz
 DC 12, 24V=
 Tolerance +/- 10%

Power Consumption DIN COIL:

AB410 AC-22VA, DC-18W
 AB510 AC-28VA, DC-24W



DIN 43650A coil (IP65):

Solenoid coil is fitted with LED plug + varistor (VDR) to protect supply switch from inductive voltage spikes, and protect coil from burn-out.

| Port Size G | Orifice (mm) | Part Number | Cv Value | Pressure Differential (bar) | | | Dimensions | | |
|----------------|--------------|-------------|----------|-----------------------------|-----|----|------------|--------|--------|
| | | | | Min | Max | | L (mm) | W (mm) | H (mm) |
| | | | | | AC | DC | | | |
| 1/2 | 15 | GPW-15S6 | 4.8 | 0 | 10 | 10 | 60 | 45 | 111 |
| 3/4 | 20 | GPW-20S6 | 7.6 | 0 | 10 | 10 | 62 | 50 | 117 |
| 1 | 25 | GPW-25S6 | 12 | 0 | 10 | 10 | 82 | 66 | 124 |
| 1 1/4 | 32 | GPW-35S6 | 24 | 0 | 7 | 7 | 102 | 82 | 156 |
| 1 1/2 | 40 | GPW-40S6 | 29 | 0 | 7 | 7 | 110 | 85 | 161 |
| 2 | 50 | GPW-50S6 | 48 | 0 | 7 | 7 | 134 | 108 | 176 |

Options:

- EPDM sealing suitable for water, hot water & steam up to maximum 140° C
- Viton sealing suitable for gas, oil, hot water, acid, alkali, chemical salt, hydrocarbon up to max 110° C

All technical specifications are without obligation!