

General Description

Series "C" check valves permit free flow in one direction, and dependable shut-off in the reverse direction.

Operation

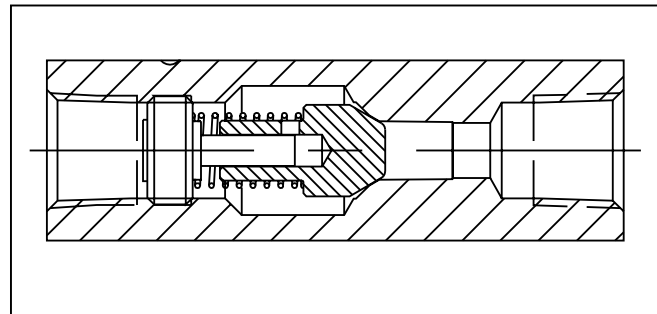
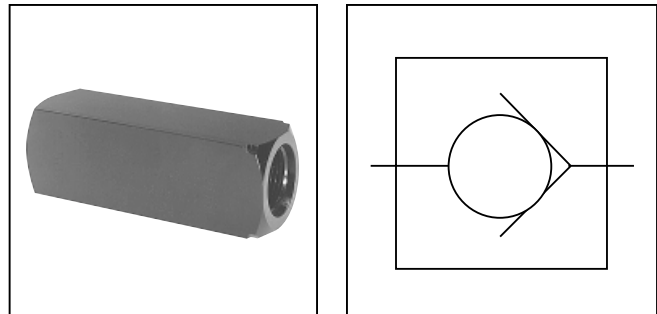
When pressure going through the valve is increased to the cracking level, the valve opens. When the pressure is reduced to below the cracking level, the valve closes.

Features

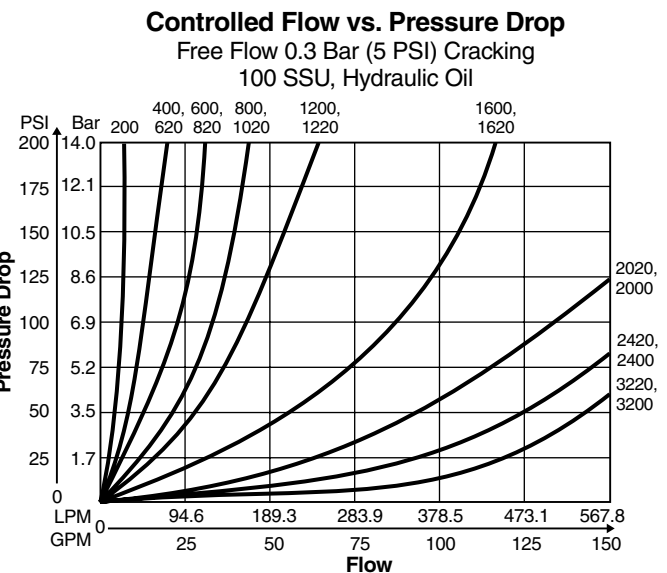
- Stainless steel poppets standard.
- Soft seal poppets are available.
- Triangular retainers guide the poppets, and hold the spring firmly in place even under high velocity and shock.

Specifications

Maximum Operating Pressure	Brass:	140 Bar (2000 PSI); except for C1600 brass which is 35 Bar (500 PSI)
	Steel & Stainless Steel:	345 Bar (5000 PSI) for 200 thru 1220; 207 Bar (3000 PSI) for all other sizes and styles
Maximum Flow	C200:	11 LPM (3 GPM)
	C400:	19 LPM (5 GPM)
	C600:	30 LPM (8 GPM)
	C620:	19 LPM (5 GPM)
	C800:	57 LPM (15 GPM)
	C820:	30 LPM (8 GPM)
	C1020:	57 LPM (15 GPM)
	C1200:	95 LPM (25 GPM)
	C1220:	95 LPM (25 GPM)
	C1600:	151 LPM (40 GPM)
	C1620:	151 LPM (40 GPM)
	C2000:	265 LPM (70 GPM)
	C2020:	265 LPM (70 GPM)
C2400:	379 LPM (100 GPM)	
C2420:	379 LPM (100 GPM)	
C3200:	569 LPM (150 GPM)	
C3220:	569 LPM (150 GPM)	
Poppets	Soft seal poppet is standard for 200 through 800/1020 size.	
	For cracking pressures > 15 PSI, solid metal poppets are standard	



Performance Curves



Ordering Information

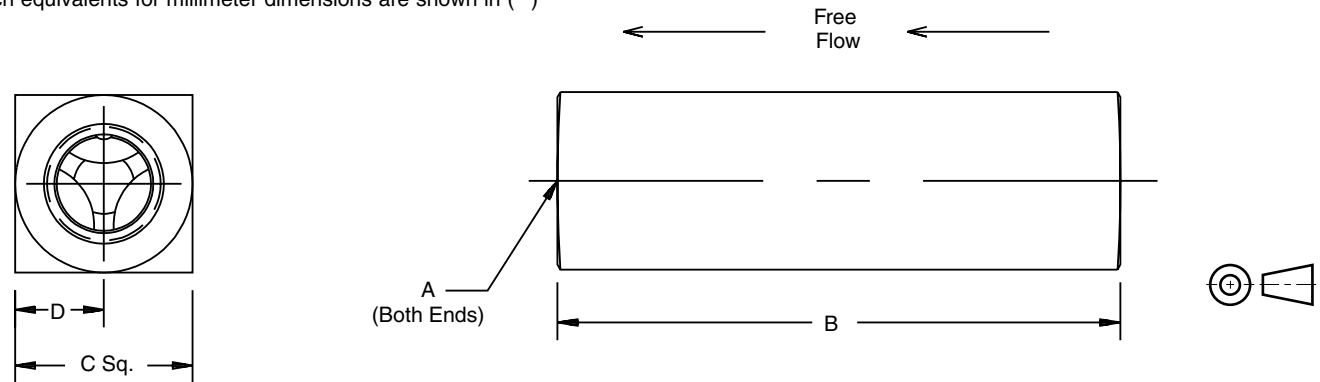
□ Options	□ C □ Series C	□ Size	□ Material	□ Cracking Pressure (nominal)	□ Seal Compound	□ □ □ □ Design Series																				
		200 * 800 * † 1600 * 2400 400 * † 820 1620 2420 600 * † 1020 2000 3200 620 1200 * 2020 3220 1220	<table border="1" style="width: 100%; border-collapse: collapse;"> <thead> <tr><th>Code</th><th>Description</th></tr> </thead> <tbody> <tr><td>B</td><td>Brass</td></tr> <tr><td>S</td><td>Steel</td></tr> <tr><td>SS *</td><td>Stainless Steel</td></tr> </tbody> </table>	Code	Description	B	Brass	S	Steel	SS *	Stainless Steel	<table border="1" style="width: 100%; border-collapse: collapse;"> <thead> <tr><th>Code</th><th>Description</th></tr> </thead> <tbody> <tr><td>Omit</td><td>Standard 0.4 Bar (5 PSI)</td></tr> <tr><td>65</td><td>4.5 Bar (65 PSI)</td></tr> </tbody> </table>	Code	Description	Omit	Standard 0.4 Bar (5 PSI)	65	4.5 Bar (65 PSI)	<table border="1" style="width: 100%; border-collapse: collapse;"> <thead> <tr><th>Code</th><th>Description</th></tr> </thead> <tbody> <tr><td>Omit</td><td>Nitrile (Standard)</td></tr> <tr><td>V</td><td>Fluorocarbon</td></tr> </tbody> </table>	Code	Description	Omit	Nitrile (Standard)	V	Fluorocarbon	NOTE: Not required when ordering.
Code	Description																									
B	Brass																									
S	Steel																									
SS *	Stainless Steel																									
Code	Description																									
Omit	Standard 0.4 Bar (5 PSI)																									
65	4.5 Bar (65 PSI)																									
Code	Description																									
Omit	Nitrile (Standard)																									
V	Fluorocarbon																									
		* Sizes available in Brass † Sizes available in Stainless Steel	Series C Brass Valves can be used for both air and oil service. * Available in 400, 600 and 800 sizes.	Other cracking pressures available																						

Code	Description
Omit	NPTF/SAE
8	BSPT
9	BSPP

Model Number	Weight kg (lbs.)	Model Number	Weight kg (lbs.)	Model Number	Weight kg (lbs.)	Model Number	Weight kg (lbs.)
C200	0.0 (0.1)	C820	0.3 (0.7)	C1600	1.5 (3.3)	C2400	3.8 (8.4)
C400	0.2 (0.4)	C1020	0.6 (1.3)	C1620	1.5 (3.3)	C2420	3.8 (8.4)
C600	0.2 (0.5)	C1200	0.9 (2.0)	C2000	2.8 (6.2)	C3200	7.0 (15.4)
C620	0.2 (0.5)	C1220	0.9 (2.0)	C2020	2.8 (6.2)	C3220	7.0 (15.4)
C800	0.6 (1.3)						

Dimensions

Inch equivalents for millimeter dimensions are shown in (**)



Model Number	A	B	C	D
C200	1/8-27 NPTF	50.8 (2.00)	16.0 (0.63)	7.9 (0.31)
C400	1/4-18 NPTF	66.8 (2.63)	20.6 (0.81)	10.4 (0.41)
C420	7/16-20 UNF #4 SAE	68.3 (2.69)	20.6 (0.81)	10.4 (0.41)
C600	3/8-18 NPTF	69.9 (2.75)	25.4 (1.00)	12.7 (0.50)
C620	9/16-18 UNF #6 SAE	79.2 (3.12)	25.4 (1.00)	12.7 (0.50)
C800	1/2-14 NPTF	87.4 (3.44)	31.8 (1.25)	16.0 (0.63)
C820	3/4-16 UNF #8 SAE	88.9 (3.50)	28.4 (1.12)	14.2 (0.56)
C1020	7/8-14 UNF #10 SAE	101.6 (4.00)	31.8 (1.25)	15.7 (0.62)
C1200	3/4-14 NPTF	98.6 (3.88)	38.1 (1.50)	19.1 (0.75)
C1220	1 1/6-12 UN #12 SAE	117.3 (4.62)	38.1 (1.50)	19.1 (0.75)
C1600	1-11 1/2 NPTF	127.0 (5.00)	44.5 (1.75)	22.4 (0.88)
C1620	1 5/16-12 UN #16 SAE	142.7 (5.62)	57.2 (2.25)	28.4 (1.12)
C2000	1 1/4-11 1/2 NPTF	143.0 (5.63)	57.2 (2.25)	28.7 (1.13)
C2020	1 5/8-12 UN #20 SAE	165.1 (6.50)	69.9 (2.75)	35.1 (1.38)
C2400	1 1/2-11 1/2 NPTF	143.0 (5.63)	69.9 (2.75)	35.1 (1.38)
C2420	1 7/8-12 UN #24 SAE	184.2 (7.25)	76.2 (3.00)	38.1 (1.50)
C3200	2-11 1/2 NPTF	165.1 (6.50)	88.9 (3.50)	44.5 (1.75)
C3220	2 1/2-12 UN #32 SAE	228.6 (9.00)	101.6 (4.00)	50.8 (2.00)

2502-F9.p65, dd