

QR15M1-TFD

HCFC, R-22, 50 Hz, 3 - Phase, 380/420 V
Air Conditioning



Production Status: Restricted sale - Contact your Copeland Representative.

Performance

<u>Evap(°F)/Cond(°F)</u>	<u>45/130</u>	<u>45/100</u>
<u>RG(°F)/Liq(°F)</u>	<u>65/115</u>	<u>65/85</u>
Capacity (Btu/hr):	119000	153000
Power (Watts):	12900	10800
Current (Amps):	22.2	19.1
EER (Btu/Wh):	9.2	14.2
Mass Flow (lbs/hr):	1750	1970

Mechanical

Overall Length (in):	14.25	Mounting Length (in):	8.66
Overall Width (in):	13.25	Mounting Width (in):	8.66
Overall Height (in):	18.44	Mounting Height (in):	18.63
Suction Size (in):	1 1/8 Stub		
Discharge Size (in):	3/4 Stub		
Initial Oil Charge (oz):	110		
Oil Recharge (oz):	106		
Net Weight (lbs):	175		

Electrical

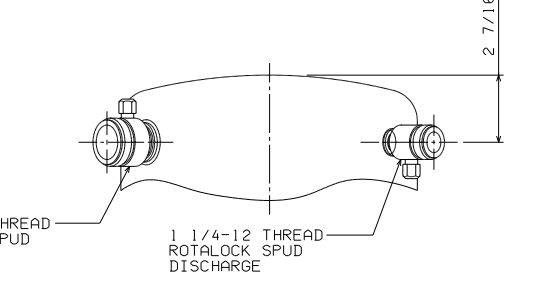
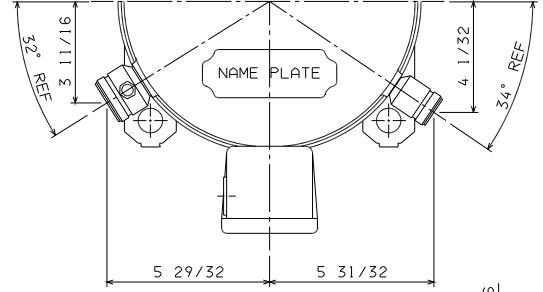
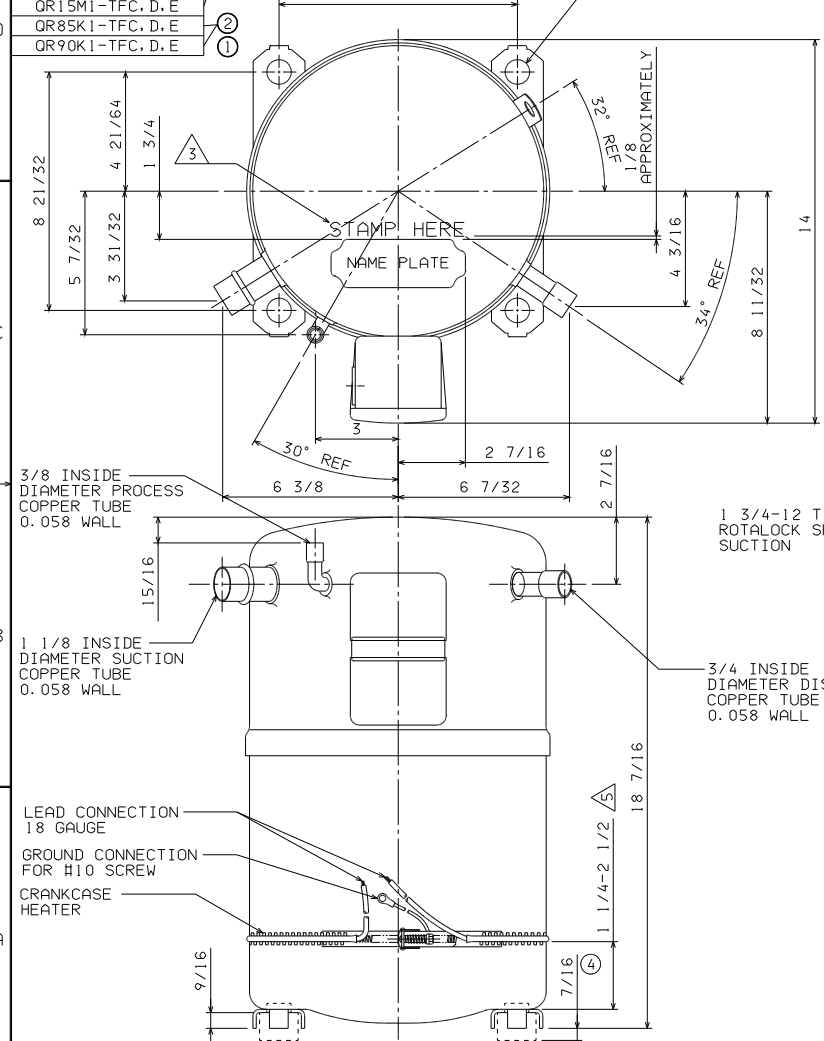
RLA:	27.6	UL File No.:	SA-2337	MCC (Amps):	38.6
LRA-Low:		UL File Date:	08-Feb-1984	RPM:	
LRA-High:	135.0			CSA File No.:	LR3104C
LRA-Half Winding:					

Alternate Applications

<u>Refrigerant</u>	<u>Frequency (Hz)</u>	<u>Phase</u>	<u>Voltage</u>	<u>Application</u>
R-22 HCFC	60	3	460	Air Conditioning

MODEL NUMBER
QR11M1-TFC, D, E
QR12M1-TFC, D, E
QR12ME-TFD
QR15M1-TFC, D, E
QR85K1-TFC, D, E
QR90K1-TFC, D, E

SPECIFICATIONS	
ES NO.	DESCRIPTION



AVAILABLE OPTIONAL FITTINGS

DUE TO ACCUMULATED ASSEMBLY TOLERANCES THE LISTED COMPONENTS MAY VARY FROM THE MOUNTING HOLES AS TABULATED.

DISCHARGE TUBE	± 0.125
SUCTION TUBE	± 0.188
PROCESS TUBE	± 0.188

- NOTES:
- TOLERANCES TO BE ±0.062 UNLESS OTHERWISE SPECIFIED.
 - TUBE ENDS MUST BE PLUGGED.
 - STAMP CUSTOMER PART NUMBER WITH H359 OPAQUE SILVER INK (COPELAND PART HE16104) AS REQUIRED PER B/M. LETTERS TO BE 3/8 HIGH.
 - CRANKCASE HEATER TO BE ENERGIZED FOR A MINIMUM OF FOUR (4) HOURS PRIOR TO COMPRESSOR START UP TO PREVENT HYDRAULIC OIL SLUGGING.
 - CRANKCASE HEATER TO BE LOCATED WITHIN THESE DIMENSIONS.

32-0296-061	4	MTG SPACERS REVISED, WAS: 3/16	3-1-16	MKF	DE
32-0392-044	3	ADDED MODEL: QR12ME-TFD	8-24-92	WF	WF
32-0490-043	2	ADDED ELECTRICAL VOLTAGE TFC & TFE	4-19-90	DL	BF
32-1289-016	1	ADDED QR1M1, QR12M1, QR15M1; WAS: QR1KI-TFD	2-14-90	WF	DEB
32-1289-016		RELEASE	1-9-10	WF	

CHANGE NOTICE NO.	REV. NO.	DATE	BY	CHK'D	DATE	BY	CHK'D
MATERIAL SPECIFICATIONS	WJFF	DE			SCALE	HAIRL	SUPERSEDES DWG. NO.
DATE	1-9-90	DATE	1-18-90	DATE	DO NOT SCALE THIS DRAWING	DATE	REV. NO.

4

NOTICE

THIS DRAWING AND THE INFORMATION CONTAINED HEREIN ARE THE EXCLUSIVE PROPERTY OF COPELAND. IT SHALL BE RETURNED TO COPELAND UPON DEMAND AND SHALL NOT BE REPRODUCED IN WHOLE OR IN PART, DISCLOSED TO ANYONE ELSE OR USED WITHOUT THE WRITTEN CONSENT OF COPELAND.

2-PLACES :
3-PLACES :
ANGULAR TOLERANCE :

TITLE	DRAWING NUMBER	DWG
REF DWG - WELD COMP ASSM	497-2461-00	4