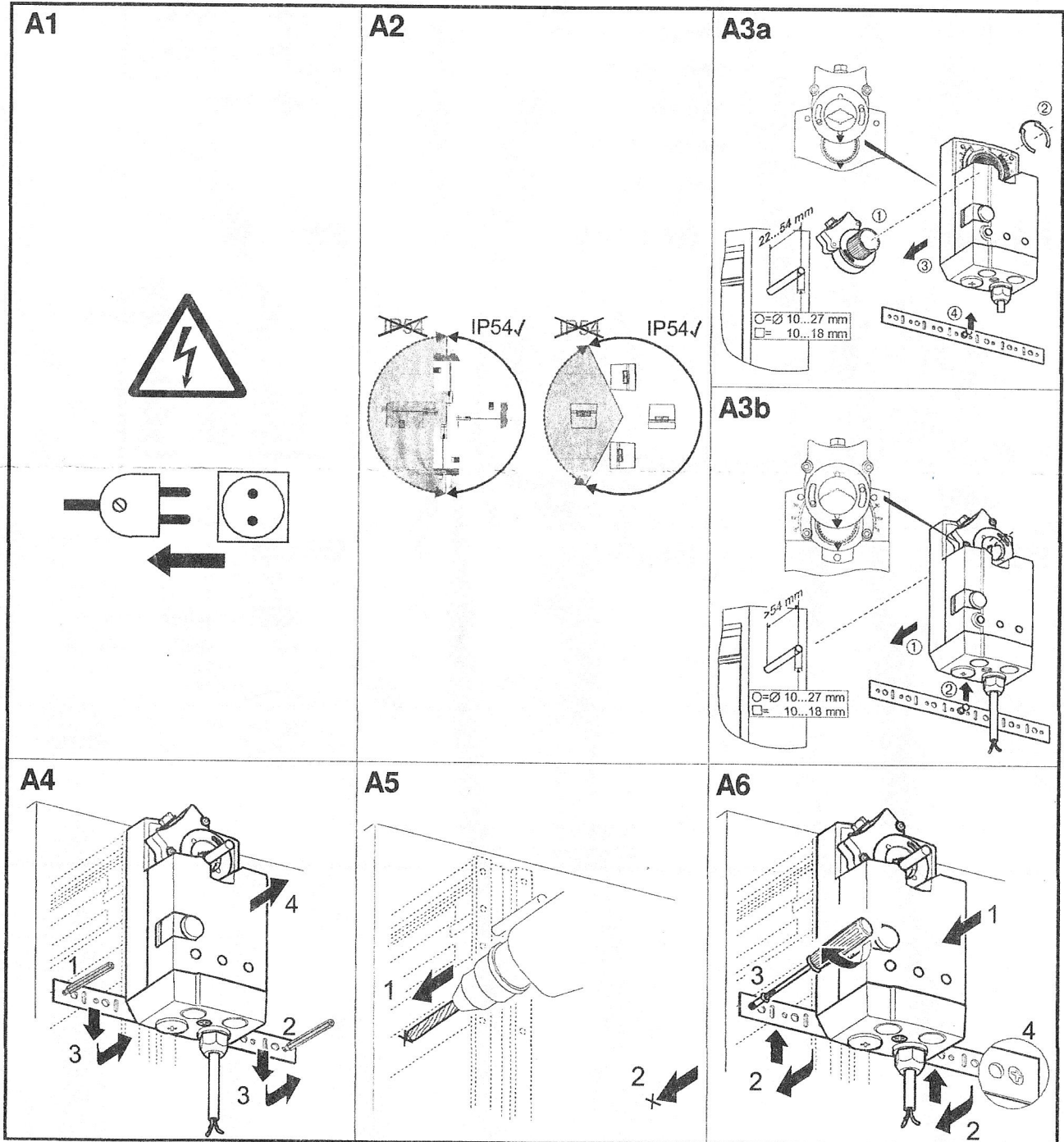


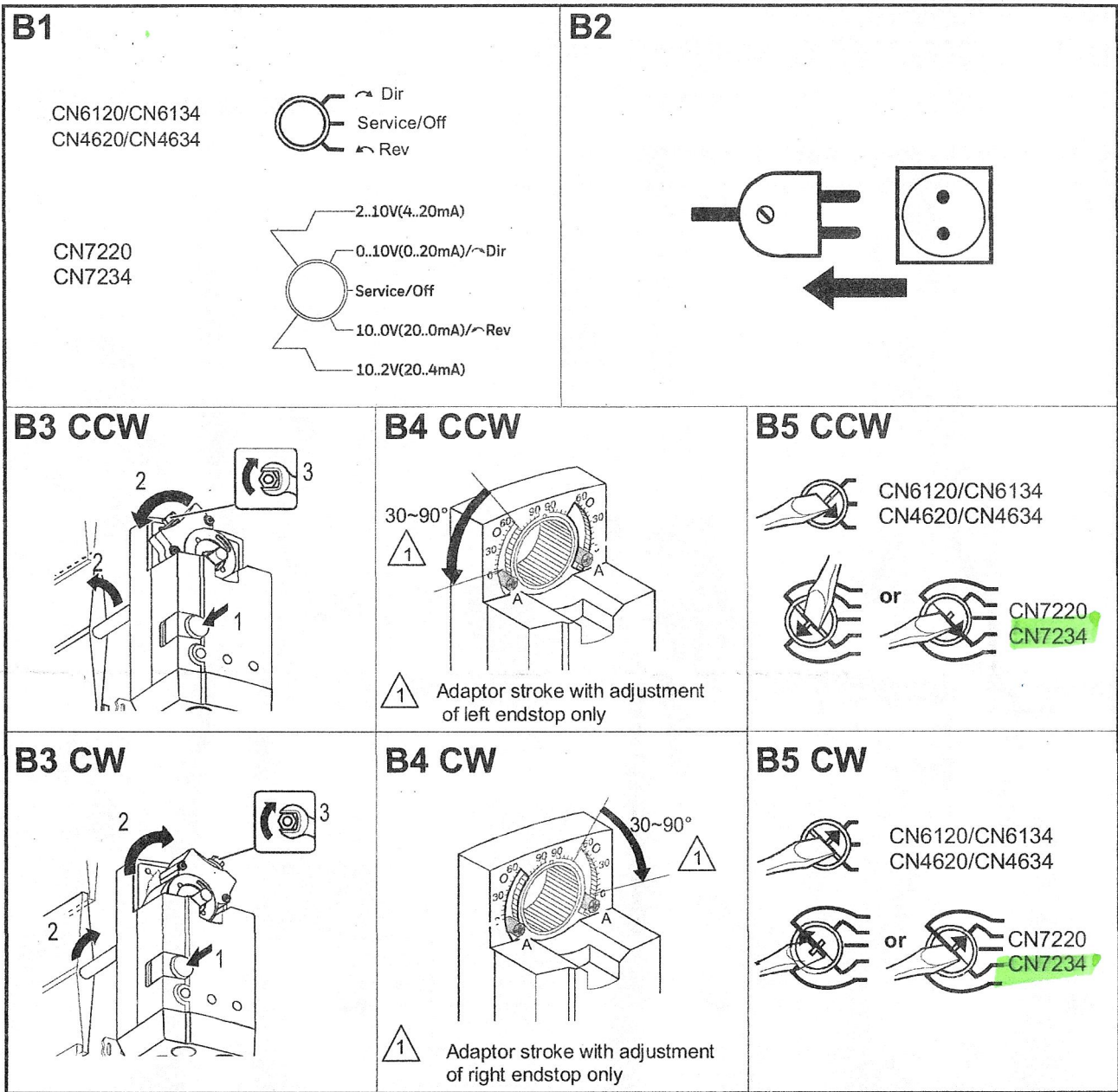
CN6120, CN6134, CN7220, CN7234, CN4620, CN4634 NON-SPRING RETURN DIRECT-COUPLED DAMPER ACTUATOR

INSTALLATION INSTRUCTIONS

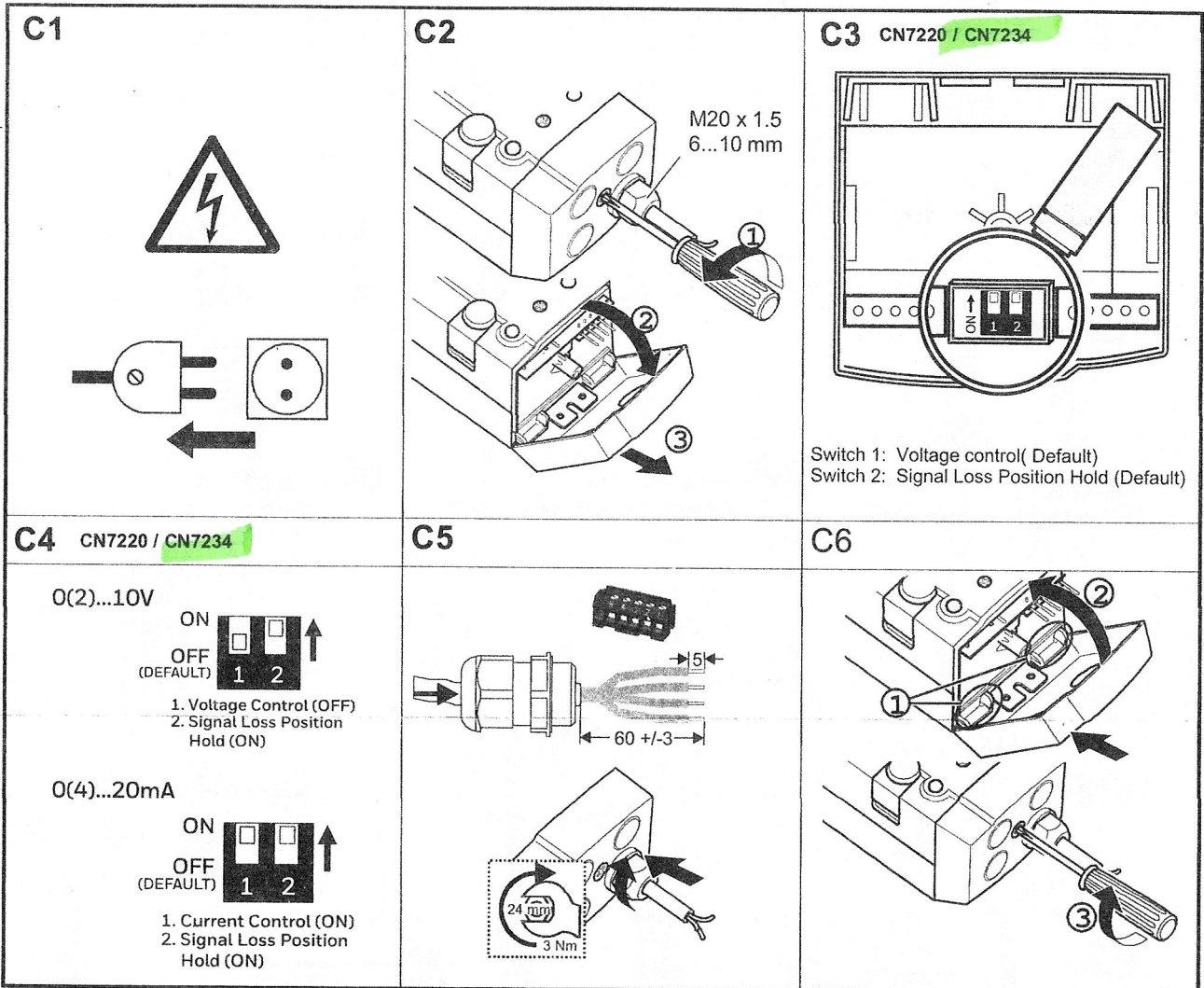
Disconnect power before installation



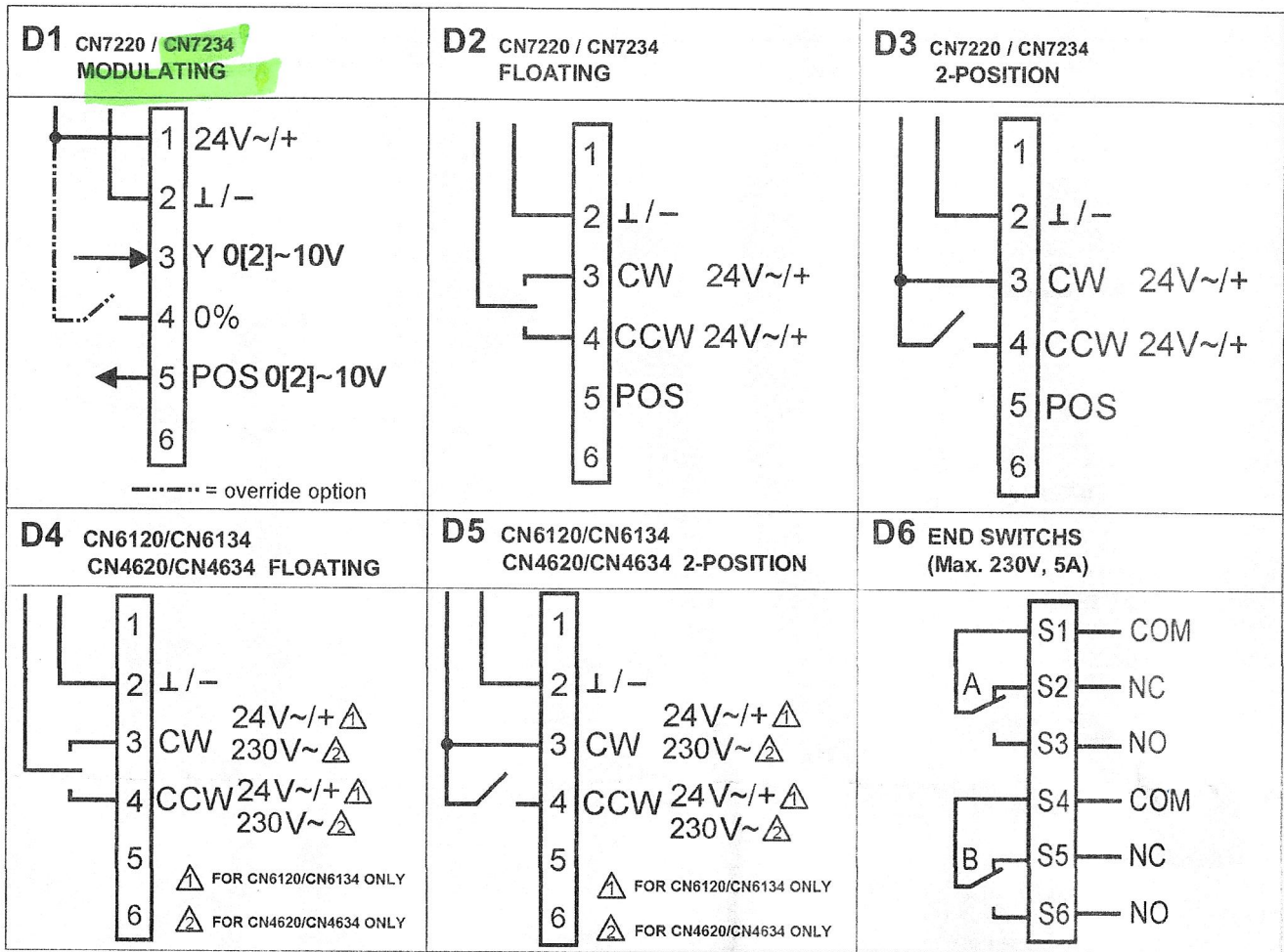
MOUNTING ON COUNTERCLOCKWISE (CCW) OR CLOCKWISE (CW) CLOSING DAMPER



WIRING



WIRING DIAGRAM



部件名称 Component Name	有害物质 Hazardous Substances					
	铅(Pb)	汞(Hg)	镉(Cd)	六价铬 (Cr6+)	多溴联苯 (PBB)	多溴二苯醚 (PBDE)
电路板组件 PWBA	X	O	O	O	O	O
电机 Motor	X	O	O	O	O	O

本表格依据 SJ/T 11364 的规定编制。
This table is prepared in accordance with the provisions of SJ/T 11364.

O: 表示该有害物质在该部件所有均质材料中的含量均在 GB/T 26572 规定的限量要求以下。
Indicates that said hazardous substance contained in all of the homogeneous materials for this part is below the limit requirement of GB/T 26572.

X: 表示该有害物质至少在该部件的某一均质材料中的含量超出 GB/T 26572 规定的限量要求。
Indicates that said hazardous substance contained in all of the homogeneous materials for this part is above the limit requirement of GB/T 26572.

未列入表内的其他部件, 皆不含任何超出限量要求的限制使用物质。
All other components, not listed in the table, do not contain restricted substances above the threshold level.

Honeywell

Honeywell Environmental and Combustion Controls (Tianjin) Co., Ltd
No. 158, NanHai Road, TEDA, Tianjin, P.R.C. 300457

©2022 Honeywell International Inc. All rights reserved.

The information contained herein is subject to change without notice.

3011-5171-001 Rev.A

Safety Information Sheet

Important

This product must only be installed by a trained skilled person.

Carefully read these operating instructions completely through before mounting and commissioning. For your own safety and for operational reliability, comply with all warnings and instructions. The provided protection can be impaired if the unit is not used in accordance with these operating instructions.

Safety and Warning Instructions

Use the unit only when it is in a technically flawless condition, use as intended, be safety and risk aware, and comply with these operating instructions.

- Immediately disconnect all defective or damaged units from the mains power supply and put them out of operation.
- Never open the unit. Use the manufacturer's repair service.
- Connect the unit only to the intended electric power supply lines.
- The safety of the system into which the unit will be integrated is the responsibility of the skilled person.
- Disconnect all electric circuits for installation and maintenance work.
- Only use cables that are designed for the temperature and power range and that are approved for your country.
- Only skilled persons are permitted to perform installation and service work.
- The units must be fused with an external, slow blow fuse, if necessary.

Please note that this description is general and cannot delve into the specific functions of each unit. For the characteristics of your unit please refer to the installation instructions.



These symbols used on the unit indicate that there are hazards which are pointed out in these instructions.

1. Intended Purpose

- The unit must only be operated in the properly installed condition and operated in accordance with the installation instructions.
- The unit is not suitable for the explosion-proof areas and the areas of use excluded in corresponding standards.
- If the unit is used to monitor machinery or operating processes in which damage to the machine or an accident involving the operating personnel due to a failure or incorrect operation of the unit is possible, you must take corresponding safety precautions.
- If the unit is designed for use indoors, it will be stated in the user manual. However, in compliance with the technical data the unit can also be used outdoors. When doing so, ensure sufficient UV protection.

2. Panel Mounting

- Mount the unit far away from heat sources and prevent direct contact with corrosive fluids, hot vapours or similar.
- It must be ensured that there is 10 mm of air circulation around the unit (for mounting rails, no clearance is necessary on the right and left).
- The unit must be installed so that the connection terminal cannot be accessed and cannot be touched by an operator.
- When installing, make sure that only the front panel is classified as exposed to the user.

3. Electric Installation

- Before any installation or maintenance work, disconnect the unit from all voltage sources and make sure that there are no areas that are **DANGEROUS TO TOUCH**.
- Only skilled persons are permitted to perform installation and maintenance work; the work must be carried out in accordance with the applicable national and international standards.
- It must be ensured that all extra-low voltages that are input into the unit or which come out of the unit are separated from hazardous live wires by double or reinforced insulation.
- For proper operation, the unit must be externally fused with a A slow-blow fuse. The switch outputs are not fused internally in the unit. Without a corresponding fusing of the switch outputs, undesired heat development or even a fire could result. The system setup technician must externally fuse the switch outputs.
- In case of a fault, it must be ensured that the data stated in the data sheet and not exceeded under any circumstances.
- During installation make sure that the power supply and the wiring of the output contacts are supplied by the same mains phase so that the maximum permissible voltage is not exceeded.
- Cables and their insulations must correspond to the intended temperature and voltage range. Maintain the appropriate standards of the country and the terminal equipment for the structure of the cables. Please refer to the technical data for the permissible cross sections for the screwed attachments.
- Before commissioning, check for correct and firm seating of the cables. Screw terminals which are not used must be screwed-in up to the limit so that they cannot get loose and come off.

4. Instructions on Interference Safety

All connections are protected against external interference effects. Select the place of installation so that inductive or capacitive interferences do not have an effect on the unit or its connection lines. Interference effects (e.g. switch-mode power supplies, motors, clocked controllers or contactors) can be reduced through suitable cable routing and wiring.

Necessary measures:

- Use only shielded cable for signal and control lines. Apply cable shielding on both sides. Flying leads min. crosssection 0.14 mm².
- Make the connection of shielding to the potential equalization as short as possible and extensive (low impedance).
- Connect the shields to the panel only when it is grounded.
- Install the unit as far away as possible from cables that are loaded with interferences.

5. Cleaning and Maintenance

- Clean the front only with a soft water-dampened cloth. Cleaning of the installed rear is not foreseen; it comes under the responsibility of the service personnel or the installer.
- This unit is maintenance-free during normal operation. If, contrary to expectations, the unit does not function properly, the unit must be sent to the manufacturer or the supplier.
- Unauthorized opening and repair is not foreseen and can impair the original protection.