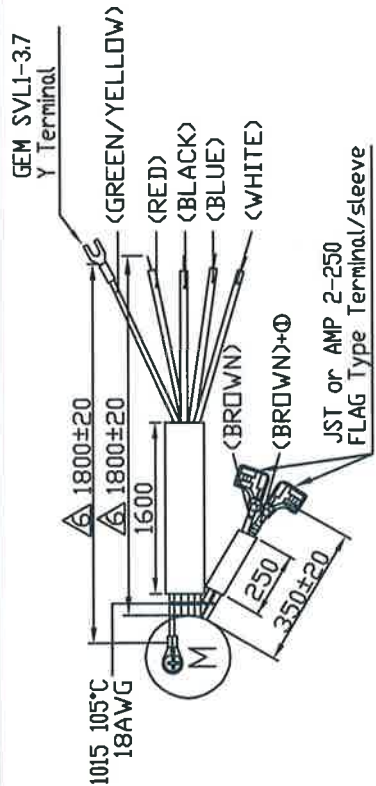
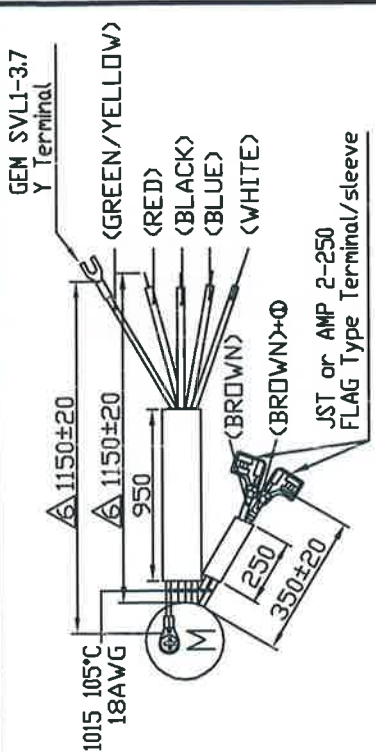


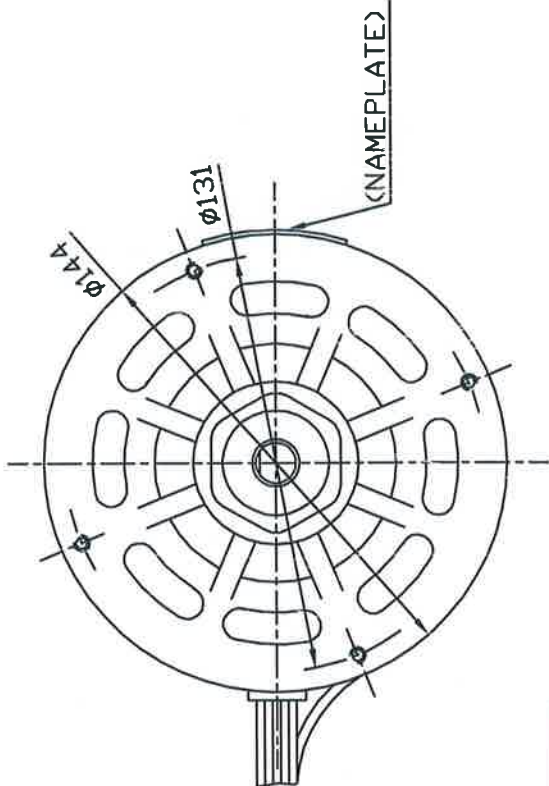
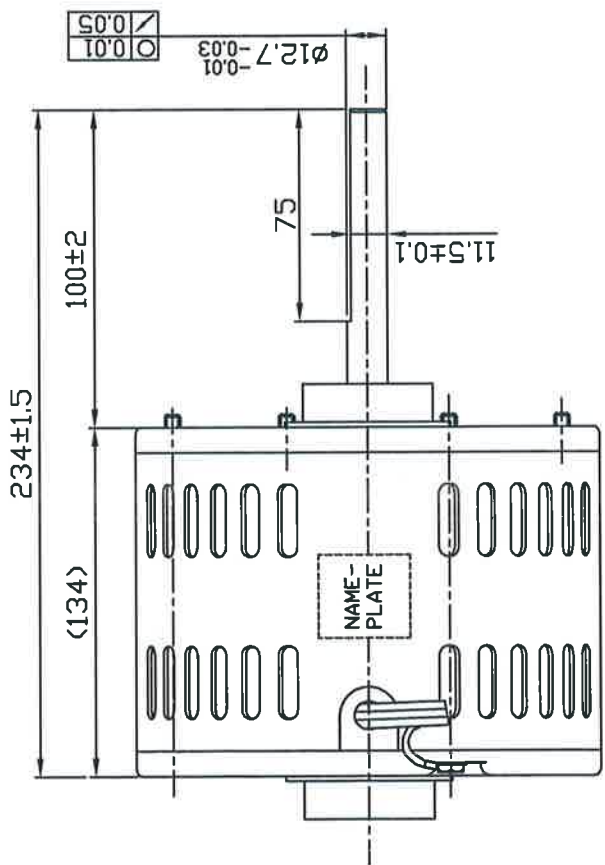
Motor Wiring Diagram



G01/G03



G02



ITEM	V	HZ	POLE	P	CONT	E	6.0 UF 440VAC	CW	BLACK	2.45	900±50	1.60	550±50	1.30	480±70	UNIT.	HAF077	LOAD.	Model No.
G03	220/240	50/60	6	6	200W	CONT	E	6.0 UF 440VAC	CW	BLACK	2.45	900±50	1.60	550±50	1.30	480±70	UNIT.	HAF077	
G02	220/240	50/60	6	6	140W	CONT	E	6.0 UF 440VAC	CW	BLACK	1.65	1040±50	1.08	675±50	0.80	500±70	UNIT.	HAF067	
G01	220/240	50/60	6	6	140W	CONT	E	10 UF 440VAC	CW	BLACK	1.55	820±50	1.02	630±50	0.70	500±70	UNIT.	HAF062	
ITEM	V	HZ	POLE	P	CONT	E	6.0 UF 440VAC	CW	BLACK	2.45	900±50	1.60	550±50	1.30	480±70	UNIT.	HAF077		

APPROVE	/	SCALE	TITLE	OUTLINE
CHECK	/	/	NT.S	DRAWING NO. AF-A177
DESIGN	M C LEE	01/07/05	UNIT	1/1
REVISE	6	01/07/05	MM	

HEADLINE ELECTRIC CO.,LTD.