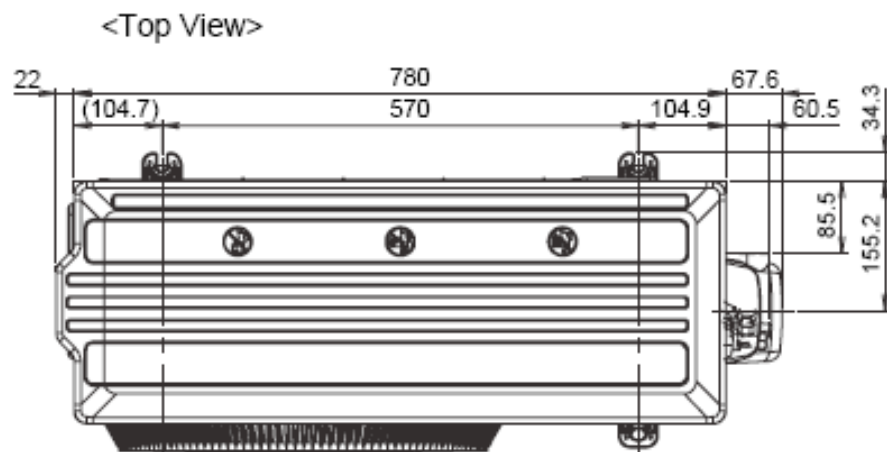
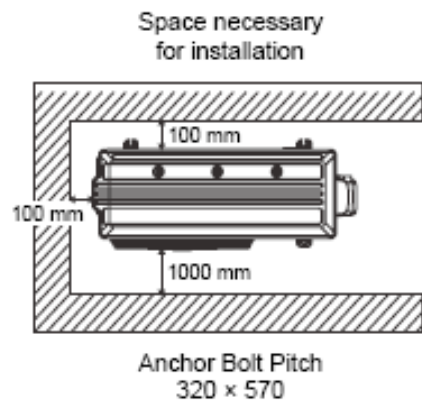
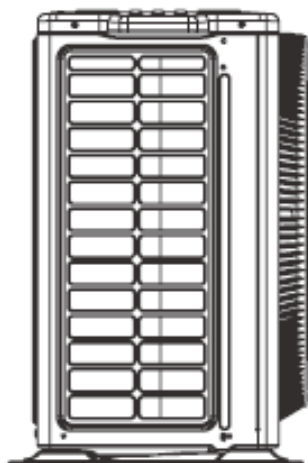


## 5.2.2 CU-PV12TKH-1

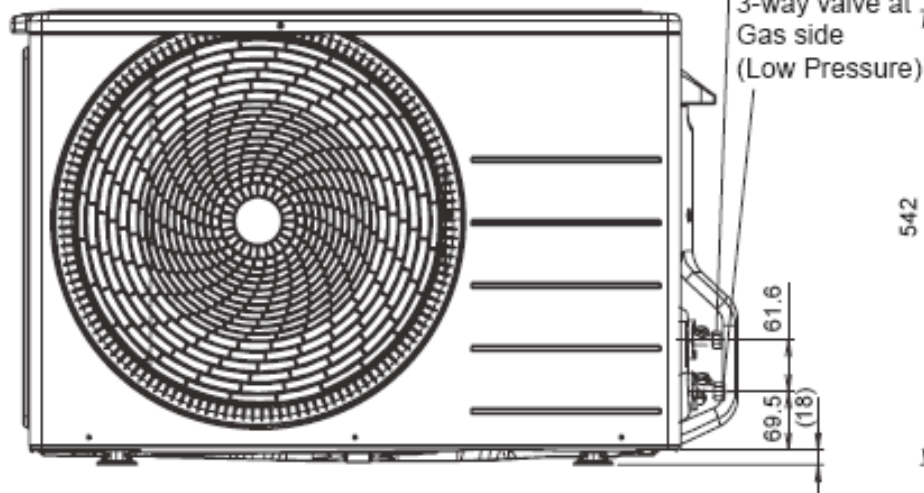


2-way valve at  
Liquid side  
(High Pressure)

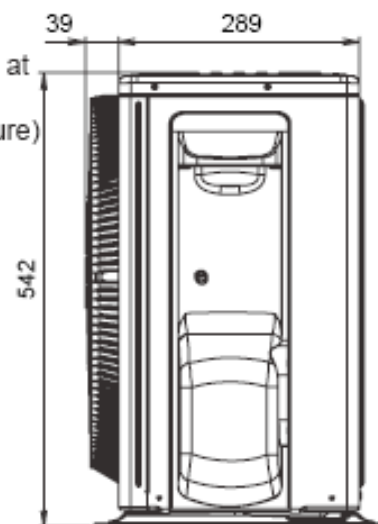
<Side View>



<Front View>

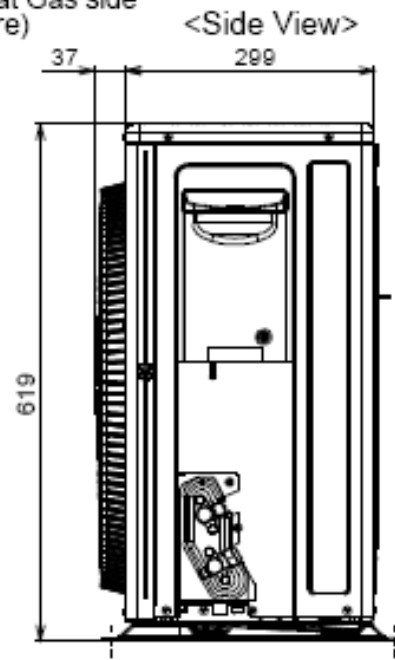
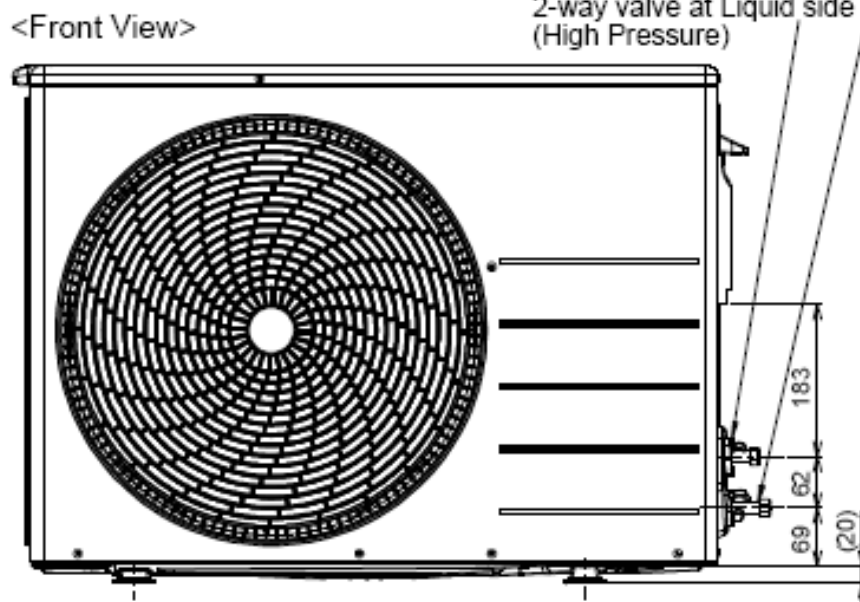
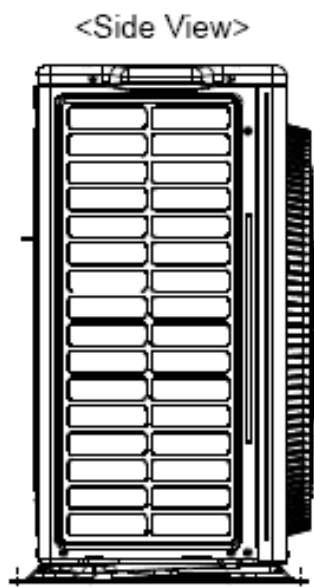
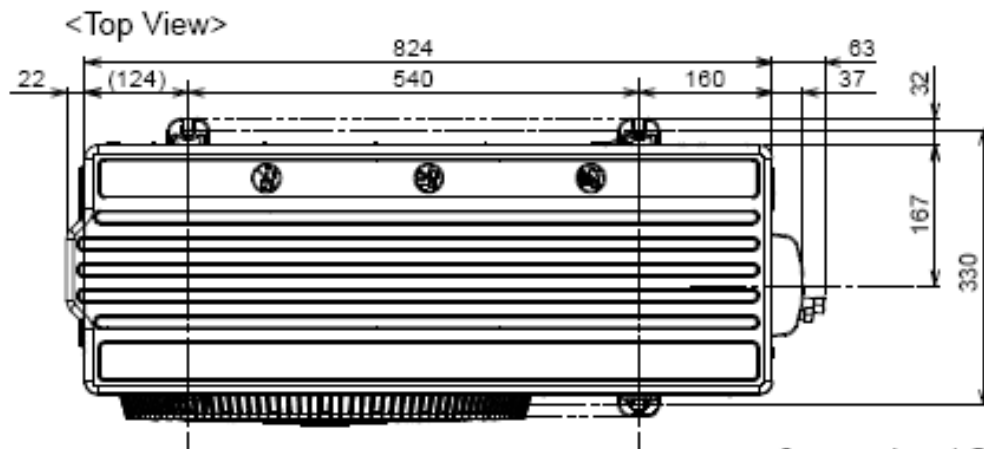
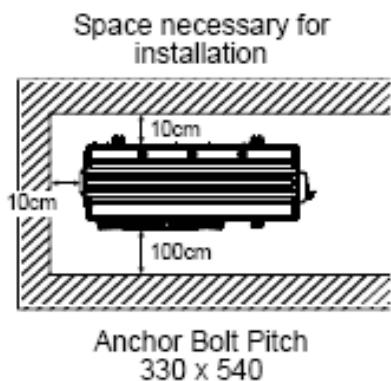


<Side View>



Unit: mm

## 5.2.3 CU-PV18TKH-1 CU-PV24TKH-1



Unit : mm