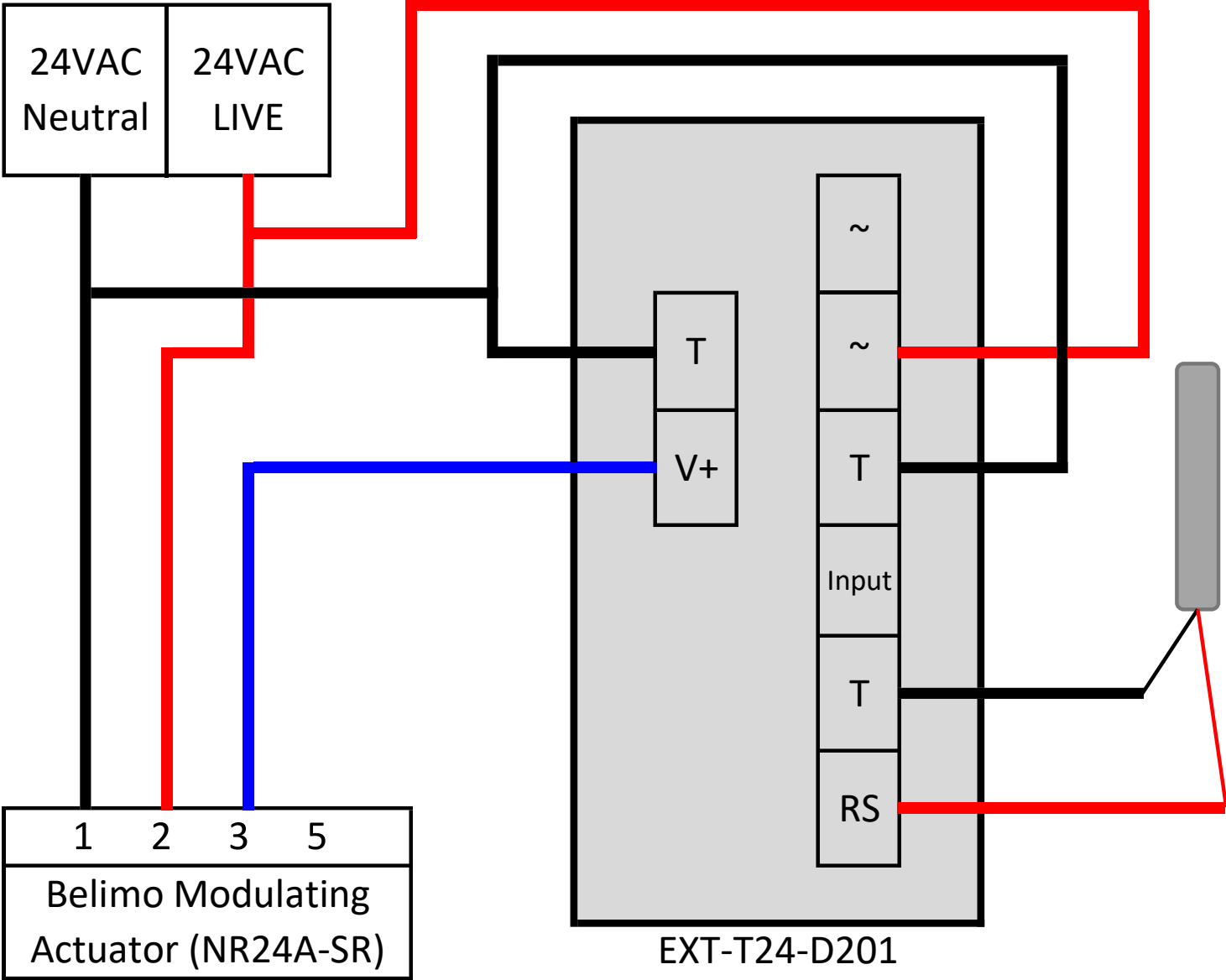


Wiring Connection for Belimo Modulating actuator and Thermostat (EXT-T24-D201)



Turn off the thermostat.

To enter thermostat setting, press (M) for 10 second.

Parameter	Description	Default	Request
1	Power on Status (0:off ; 1:on ; 2: last status)	2	2
4	Sensor selection (0: internal ; 1: remote)	0	1
5	Temperature format (0: Celcius ; 1: Fahrenheit)	0	0
6	Temperature calibration	0	0
7	Minimum setpoint	5	16
8	Maximum setpoint	35	30
13	Input Signal Mode (0: invalid ; 1: n/a ; 2: sleep ; 3:off)	2	0
16	Valve mode (0:modulating ; 1: on/off)	0	0
17	Valve status as turn off (0: close ; 1: hold ; 2: open)	0	0
18	Valve modulate direction (0:10V open ; 1: 10V close)	0	0