

AC3000B User manual

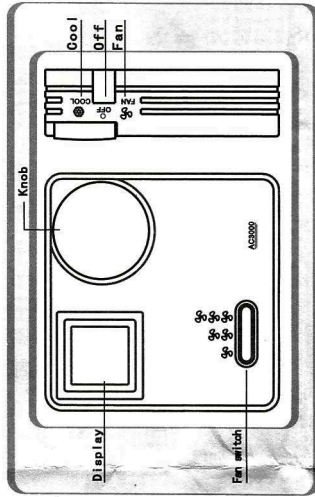
REV.1.3

INTRODUCTION

The AC3000B thermostat adopts the micro-computer technique, controls the room's temperature to comfortable environment, It adapts to fan coil's electromotive two-way valve's control; load current: <math> < 3A </math>; rated voltage and frequency: $220VAC \pm 10\% / 50Hz$; temperature control precision: $1^{\circ}C$;

PANEL AND FUNCTION INTRODUCTION

1. Cool mode
2. Fan mode
3. Sensor error alarm function
4. Lose the electricity can hold memory
5. Electrify self-motion
6. Numeral display



THE FUNCTION SPECIFIC

1. THE JP1 OPEN FOR THE NORMAL MODE

A. COOL MODE

When it works on cool mode, the thermostat controls the room temperature, it can control electromotive valve by testing the difference of the room's temperature and setting temperature; The fan work on set speed (low/middle/high);

B. FAN MODE

The fan work on set speed (low/middle/high).

2. THE JP1 CLOSE FOR THE 3 MINUTES DELAY

A. COOL MODE

When it works on cool mode, thermostat controls the room's temperature, it can control electromotive valve by testing the differences of the room's temperature and the setting temperature; The fan work on set speed (low/middle/high); the valve could not be open until the minimum 3 minutes time has past from the valve was closed. When power on first the valve delay the minimum 3 minutes before start.

B. FAN MODE

The fan work on set speed (low/middle/high).

3. SENSOR ERROR ALARM

Sensor open, numeral display "OP";
Sensor short, numeral display "SH";

The thermostat will close the electromotive valve and fan when the sensor error.

4. LOSE THE ELECTRICITY CAN HOLD MEMORY AND ELECTRIFY SELF-MOTION

the setting temperature, the fan speed and the work mode are not lost when the system's power off; when the system is working and power off suddenly, the system electrify will work as before, the setting temperature, fan speed and work mode remain the same.

INSTALLATION DIAGRAM

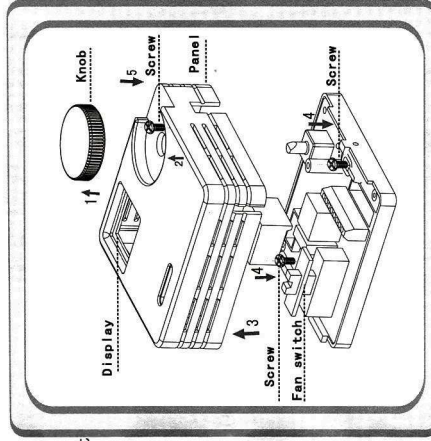
1. Please install the thermostat by technician and ensure that the power is off before fixing;

2. The thermostat must be fixed in the air-circulate surroundings, far away from the heat source and the window or door, avoid from direct sun light;

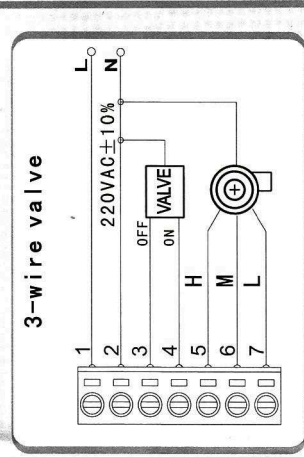
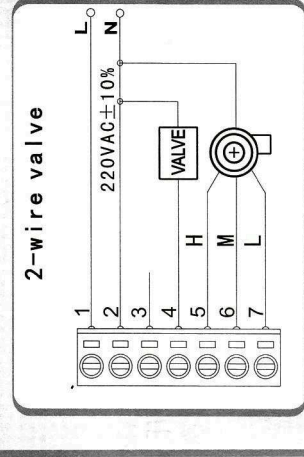
3. The space between two screw: 60mm;

4. Installation methods:

- A. First take down the knob, next take down the screw, then to split the top case from bottom case; (show such as the right diagram 1, 2, 3)
- B. Fix the wires correctly (refer to wiring diagram);
- C. Fix the bottom case to fitting position; (show such as the right diagram 4)
- D. Install the switch, install top case to bottom case, install screw which is underneath the knob and then install the knob



WIRING DIAGRAM



AC3000B温控器使用说明

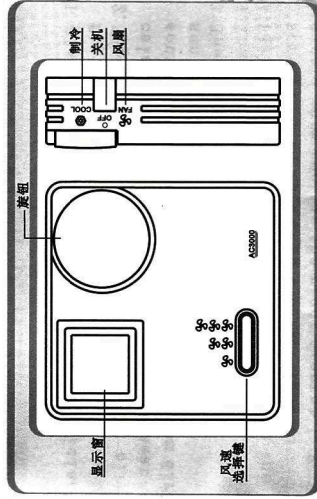
REV1.13

简介

AC3000B温控器是采用微电脑技术，对室内温度进行控制以达到所希望的效果，适用于二管制风机盘管的电动阀，其负载电流小于3A，工作电压为：220VAC±10% 50Hz；控温精度为±1℃。

面板及功能说明

1. 制冷模式
2. 风扇模式
3. 感温头故障报警
4. 掉电记忆
5. 来电自启动
6. 数码显示



功能描述

一：JP1断开为正常模式：

1. 制冷模式

在此模式下，温控器监控室内温度，并且根据室内温度与设定温度的差值，控制电动阀的输出，风机运行于设定模式；

2. 风扇模式

在此模式下，风机运行于设定模式。

二：JP1闭合为三分钟保护模式：

1. 制冷模式

在此模式下，温控器监控室内温度，并且根据室内温度与设定温度的差值，控制电动阀的输出。风机运行于设定模式；阀门关闭开始计时，如果时间不到三分钟，则不能开启阀门（包括关机），初次上电，三分钟后才能开启阀门。

2. 风扇模式

风机运行于设定模式。

三：感温头故障报警

感温头开路---数码管显示“OP”

感温头短路---数码管显示“SH”

感温头故障时，系统将关闭电动阀和风机。

四：掉电记忆及来电自启动

用户设置的温度、风速、工作模式，不会因系统掉电而丢失；如果在开机状态下系统意外掉电，在系统上电后，仍然保持掉电前的设置温度、风速，及工作模式。

装配示意图

1. 请专业技术人员安装，安装前确认已切

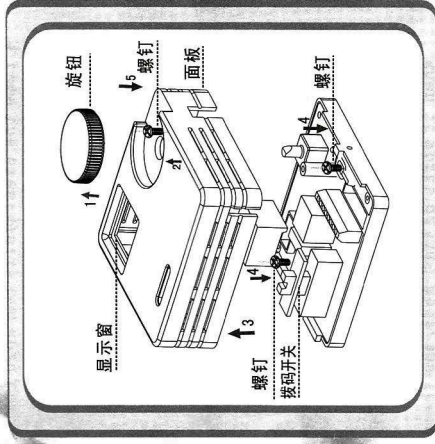
断电源；

2. 安装在空气流通好的常温环境里，远离热源、门窗，避免阳光直射。

3. 安装螺丝间距为：60mm；

4. 安装步骤：

- A. 先拨下旋钮，取出旋钮下的螺钉，将面板与底板分开；(如右图示1、2、3)
- B. 按照接线图固定强电配线；(如右图示4)
- C. 将底板固定在所要安装位置；(如右图示5)
- D. 扣上拨码开关，并将面板与底板安装归位，拧紧旋钮下的固定螺钉，并将旋钮安装回位，安装完成。(如右图示6)



接线图

