



RVAFC

Actuators for the ZFCM valves

Intended for on/off control of hot or cold water in heating or cooling systems. The actuator has a synchronous motor and spring return mechanism. It is intended for use together with Regin's ZFCM valves.

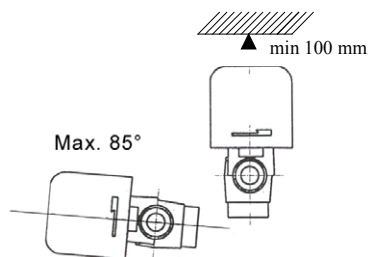
The RVAFC series of actuators is designed for temperature control in heating and cooling systems. The actuators are intended for use with Regin's ZFCM valves and are available in two versions: RVAFC-2302 for 2-way valves and RVAFC-2303 for 3-way valves. Valves and actuators are ordered separately.

Function

A device for manually opening the valve is present on the side of the actuator. The actuator has a plastic casing.

Installation

The valves should be mounted with the actuator in an upright or side position (see the picture below).



Short facts about RVAFC

- Tight closing
- Supply voltage 230 V AC
- Manual operation
- Spring return

Models

Actuator	Intended for valve
RVAFC-2302	ZFCM-2...
RVAFC-2303	ZFCM-3...

Technical data

Supply voltage	230 V AC, 50...60 Hz
Consumption	6 VA
Actuator type	Synchronous motor
Control signal	On/Off
Run time, opening	Approx. 15 s
Run time, closing	Approx. 4...5 s
Housing material	ABS plastic
Protection class	IP44
Ambient temperature	0...60°C
Storage temperature	-20...65°C

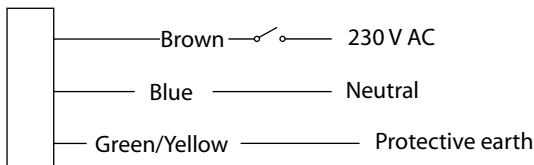


Low Voltage Directive (LVD) standards: This product conforms to the requirements of the European Low Voltage Directive (LVD) 2006/95/EC through product standards EN 60730-1 and EN 60730-2-14.

EMC emissions and immunity standards: This product conforms to the requirements of the EMC Directive 2004/108/EC through product standards EN 61000-6-1 and EN 61000-6-3.

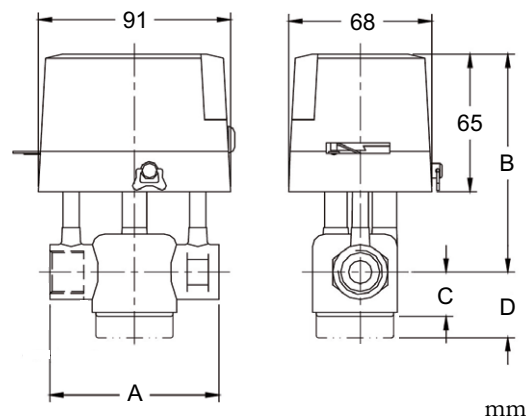
RoHS: This product conforms to the Directive 2011/65/EU of the European Parliament and of the Council.

Wiring



Dimensions

Model (valve + actuator)	A	B	C	D
ZFCM-215X + RVAFC-2302	80	103	21	-
ZFCM-315X + RVAFC-2303	80	103	-	29
ZFCM-220X + RVAFC-2302	89	103	21	-
ZFCM-320X + RVAFC-2303	89	103	-	32
ZFCM-225X + RVAFC-2302	93	103	23	-
ZFCM-325X + RVAFC-2303	93	103	-	37
ZFCM-232X + RVAFC-2302	105	110	30	-
ZFCM-332X + RVAFC-2303	105	110	-	45



Head Office Sweden

Phone: +46 31 720 02 00

Web: www.regincontrols.com

Mail: info@regin.se

THE CHALLENGER IN BUILDING AUTOMATION