

Damper actuator for adjusting air control dampers in ventilation and air-conditioning systems for building services installations

- Torque 8Nm
- Nominal voltage AC/DC 24V
- Control: Open-close (not made for 3-point applications)
- Running time 4s



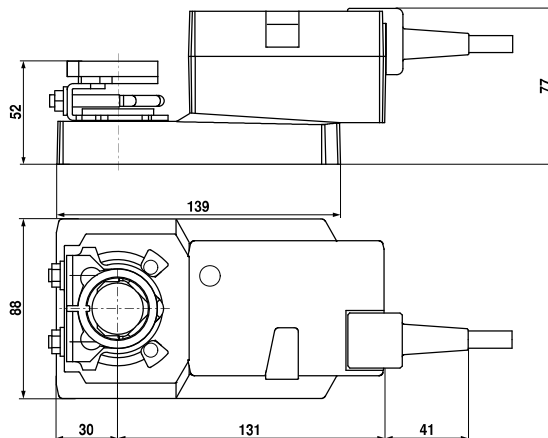
Technical data

Electrical data	Nominal voltage	AC 24V, 50/60Hz / DC 24V	
	Nominal voltage range	AC 19.2...28.8V / DC 21.6...28.8V	
	Power consumption	In operation 13W @ nominal torque At rest 2W	
	For wire sizing	23VA (I max. 20A @ 5ms)	
Connection	Cable 1m, 3 x 0.75mm ²		
Functional data	Torque (nominal torque)	Min. 8Nm @ nominal voltage	
	Direction of rotation	Reversible with switch 0 ↺ resp. 1 ↻	
	Manual override	Gearing latch disengaged with pushbutton, can be locked	
	Angle of rotation	Max. 95°↔, can be limited at both ends with adjustable mechanical end stops	
	Angle of rotation limiting	min. 30°↔	
	Running time	4s / 90°↔	
	Automatic adjustment of operating range to match the mechanical angle of rotation	Manual triggering of the adaption by pressing the «Adaption» button	
	Sound power level	52dB(A)	
	Position indication	Mechanical, pluggable	
	Negative torque	⚠	≤50% from nominal torque (with restrictions)*
	Safety	Protection class	III Safety extra-low voltage, UL Class 2 Supply
		Degree of protection	IP54 in any mounting position, NEMA 2, UL Enclosure Type 2
	EMC	CE according to 2004/108/EC	
	Certification	Certified to IEC/EN 60730-1 and IEC/EN 60730-2-14 cULus according to UL 60730-1A and UL 60730-2-14 and CAN/CSA E60730-1:02	
Mode of operation	Type 1		
Rated impulse voltage	0.8kV		
Control pollution degree	3		
Ambient temperature	⚠	-30...+40°C (no restrictions) +40...+50°C (with restrictions)*	
Non-operating temperature	-40...+80°C		
Ambient humidity	95% r.H., non-condensating		
Maintenance	Maintenance-free		
Dimensions / Weight	Dimensions	See «Dimensions»	
	Weight	Approx. 1.1kg	

* Under these operating conditions, the lift cycle of actuator will be reduced. Please contact your Belimo representative for details

Dimensions [mm]

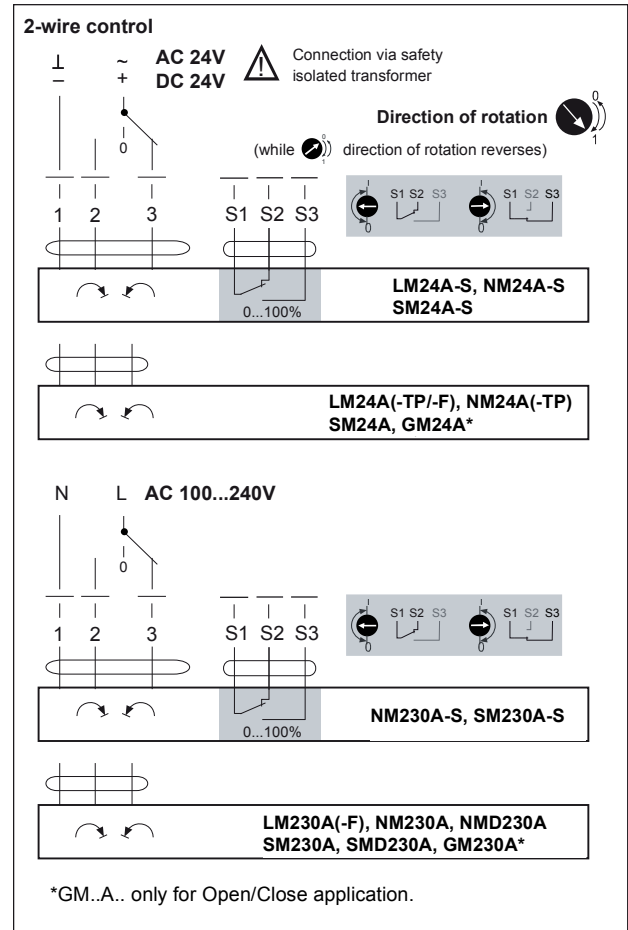
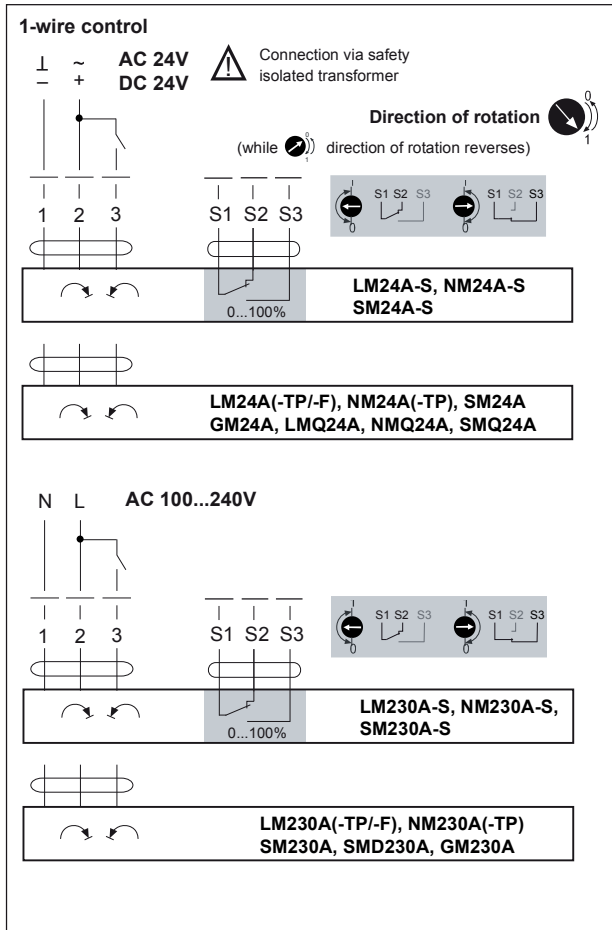
Dimensional drawings



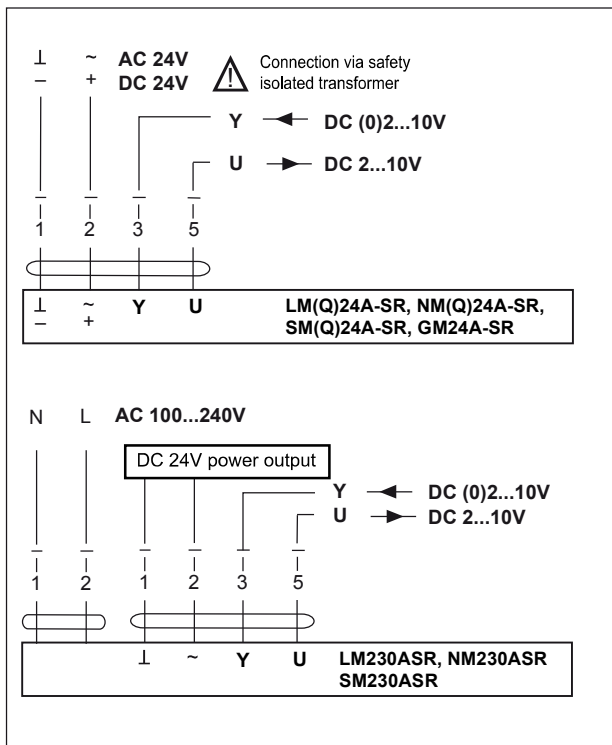
Damper spindle	Length	⊙ I	■ I	◇ I
	≥42	8...26.7	≥8	≤26.7
*	≥20	8...20	≥8	≤20

* Option (accessory K-SA)
When using an auxiliary switch or feedback potentiometer.

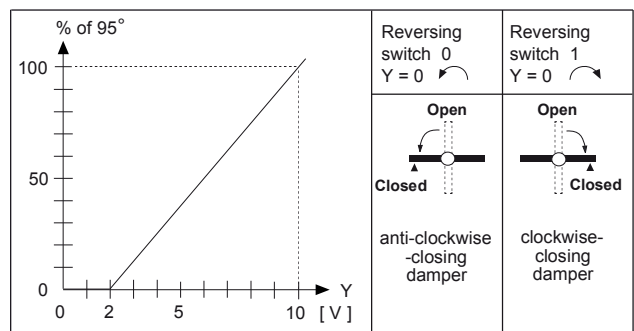
Wiring diagrams: Open/Close actuators – parallel connection possible, please note the performance data



Wiring diagrams: Modulating actuators – parallel connection possible, please note the performance data



Position - signal voltage



Direction of rotation