

Product overview

The newly developed T24-MP Room Unit provides the foundation for modern single room control concepts.

Features

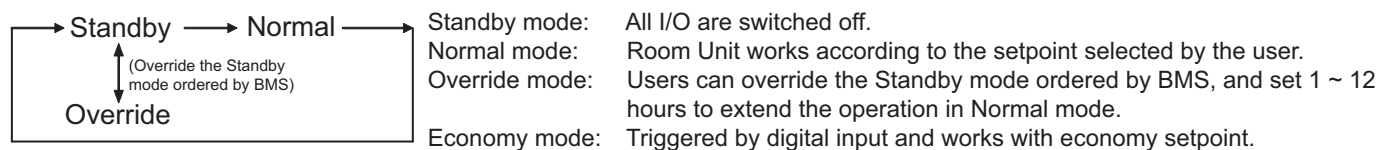
- Blue backlight LCD display
- Built-in NTC type sensing element
- Room/Setpoint temperature display
- Minimum setpoint limitation
- Diagnostic socket for servicing devices
- Working in group with T24-V... Room Control Module


Technical data

Nominal voltage	AC 24V 50/60Hz
Power supply range	AC 19.2...28.8V
Wiring terminals	Screw terminals, 0.5...1.5 mm ²
Power consumption	1.5VA @ AC 24V, 50/60 Hz
Backlight	Blue backlight (automatically switches on 10s after any key pressed)
Sensing range	5...40°C, Type NTC, 10kOhm@25°C
Operation mode	Normal / Standby / Economy / Commissioning selection
Display resolution	0.5K (0.1K internal calculation)
Normal setpoint range	10...30°C, at 0.5K step (Factory setting = 24°C)
Commissioning mode	By press "▲" + "MODE" for 5s
Economy setpoint range heating	10...20°C, at 0.5K step (Factory setting = 18°C)
Economy setpoint range cooling	20...30°C, at 0.5K step (Factory setting = 28°C)
Cooling or Heating P band	0.5, 1 or 2K
Integral time	60-300s, at 30s step
Application number input	By pressing "▲" "▼" buttons
Communication bus	Standard Belimo MP connection
Accuracy	+/- 0.5K
Protection class	III Safety extra-low voltage
Degree of protection	IP30
Low-voltage directive	CE according to 2006/95/EC
EMC directive	CE according to 2004/108/EC
Ambient conditions	0...+50°C
Non-operating temperature	-10...+60°C
Ambient humidity range	5...95% RH, non-condensing
Weight	108g
Dimensions (L x W x H)	110 x 84 x 25mm
Mounting	Surface mounted

Operation modes

Short pressing the "MODE" key for 2s continuously will allow you to change the operation mode as follows:

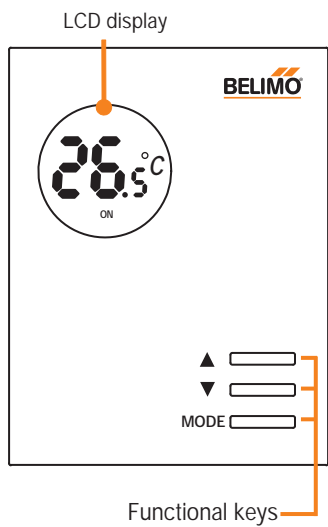


Long pressing the "▲" + "MODE" key for 5s continuously will allow you to enter Commissioning mode for parameter setting. Blue backlight will always be ON during the Commissioning mode. The system will NOT return to Normal mode until keys are pressed correctly through Standby mode. Keep storage in memory (every 2mins. cycling).

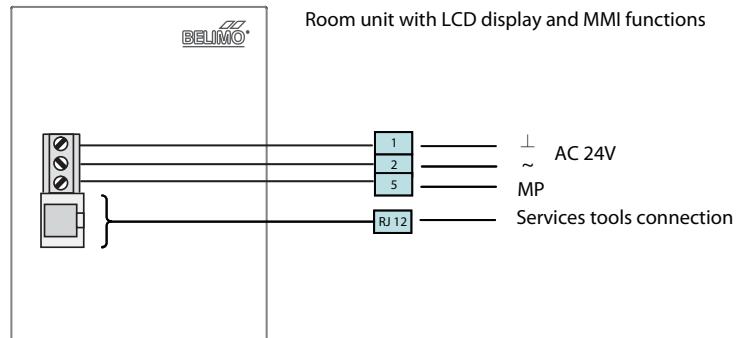


To be opened by accredited servicing agents only
 Electronic control - Type 2.B action (micro-disconnection operation)
 Separate collection for electrical and electronic equipment

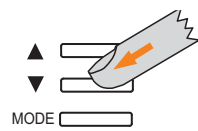
Please note: A standard RJ12 6/4 (1:1) cable can be plugged onto the RJ12 and connected to a Belimo MP-Bus level converter (e.g. ZTH-USB-MP) for the Belimo PC-Tool.



Wiring diagram



Principle of the functional keys



There are three functional keys on the cover of T24-MP. The function of the buttons are listed below.

Functional Keys	Function
▲	Normal mode: Increment the temperature setpoint value Commissioning mode: Adjust options of parameters
▼	Normal mode: Decrement the temperature setpoint value Commissioning mode: Adjust options of parameters
MODE	Standby mode or Normal mode selection Commissioning mode: Change parameters
▲ + MODE	Switch from "Normal mode" to "Commissioning mode" by pressing "▲" + "MODE" for 5 seconds

Dimensions [mm]

