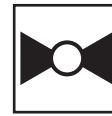




Fan coil valve and actuator solution



**2-way Fan coil valves
DN 15...25**

**Rotary actuator for 2-way
fan coil valves
DN 15...25**

Open/Close control (AC 230 V)

Application

Room temperature fancoil control in heating or cooling system

Product features

Simple direct mounting on the RB... fan coil valve by means of a single screw. The actuator can be mounted on the ball valve in any of four 90° positions.

Manual operation by knob (press and turn for temporary disengagement).

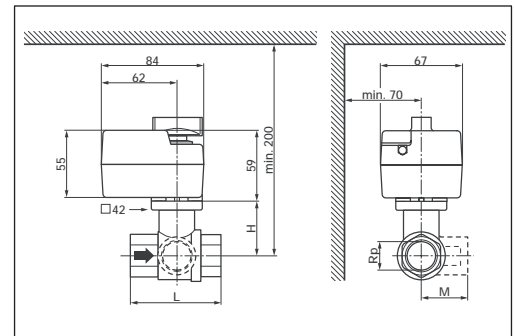
Wiring

Refer to CF230... thermostat datasheets.

Advantages

- High close-off pressure: 600 kPa
- Easy to install
- Low sound power level
- Leakage rate: tight sealing
- Long life cycles
- No water hammer
- Matching with Belimo new CF230... thermostat

Installation dimension, FRU230-3 + RB..



Selection *RB2.. Fan coil valves, 2-way*

Kvs m ³ /h	DN		Type	Actuator
	mm	Imp.		
1.8	15	1/2"	RB215	FRU230-3
4	20	3/4"	RB220	
6.8	25	1"	RB225	

Technical data

Actuator	FRU230-3
Rated voltage	AC 230 V
Running time	105 s
Torque	2 Nm
Manual override	Pushing knob
Valve assembly	Belimo one screw solution
Position indicator	Plastic knob marking
Ambient temperature range	+5 ... +50 °C
Temperature of medium	+5 ... +100 °C
Non-operating temperature	-40 ... +80 °C
Humidity test	to EN 60730-1
EMC	CE according to 89/336/EEC
LV Directive	CE according to 73/23/EEC
Degree of protection	IP 40
Valves	RB215...RB225
Media	Cold and hot water
Rated pressure	2000 kPa
Pipe connection	Female ISO7/1
Close off pressure	600 kPa
Media temp. range	+5°C ~ +100°C
Angle of rotation	90°
Materials	
Body	Forged brass
Ball	Stainless steel
Spindle	Chromed Brass