

Modulating spring return actuator with emergency function for adjusting air dampers in ventilation and air conditioning systems in buildings

- Torque 30Nm
- Nominal voltage AC/DC 24V
- Control: modulating DC (0)2...10V
- Position feedback DC 2...10V



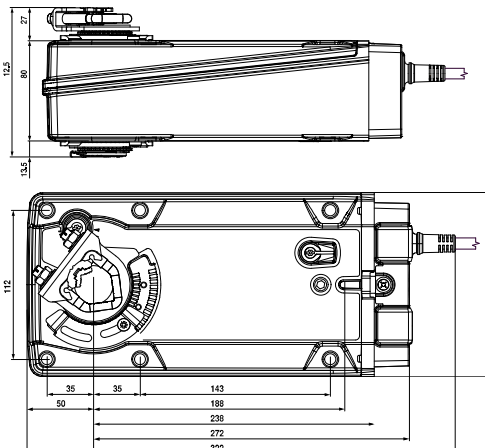
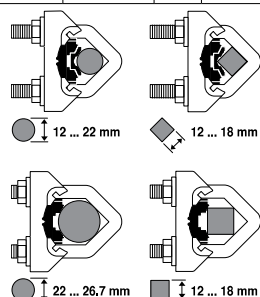
Technical data

Electrical data	Nominal voltage	AC 24V, 50/60Hz / DC 24V	
	Nominal voltage range	AC 19.2...28.8V / DC 21.6...28.8V	
	Power consumption	In operation 7W @ nominal torque At rest 4.5W For wire sizing 12VA	
	Connection	Cable 1m, 4 x 0.75mm ²	
Functional data	Torque	Motor Min. 30Nm @ nominal voltage Spring return Min. 30Nm	
	Control	Control signal Y DC (0)2...10V, input impedance 100kΩ Operating range DC 2...10V	
	Position feedback (measuring voltage U)	DC 2...10V, max. 0.5mA	
	Position accuracy	±5%	
	Direction of rotation	Motor Reversible with switch ↻ / ↻ Spring return Can be selected by mounting L / R	
	Manual override	With hand crank and interlocking switch	
	Angle of rotation	Max. 95°↔, can be limited with adjustable mechanical end stop	
	Running time	Motor 150s (0...30Nm) Spring return ≤20s @ -20...50°C / max. 60s @ -30°C	
	Sound power level	Motor ≤45dB(A) @ 150s running time Spring return ≤71dB(A)	
	Service life	Min. 60,000 emergency positions	
	Position indication	Mechanical	
	Safety	Protection class	III Extra low voltage UL Class 2 Supply
		Degree of protection	IP54 NEMA2, UL Enclosure Type 2
EMC		CE according to 2004/108/EC	
Certification		Certified to IEC/EN 60730-1 and IEC/EN 60730-2-14 cULus according to UL 60730-1A and UL 60730-2-14 and CAN/CSA E60730-1:02	
Mode of operation		Type 1.AA	
Rated impulse voltage		0.8kV	
Control pollution degree		3	
Ambient temperature		-30...+50°C	
Non-operating temperature		-40...+80°C	
Ambient humidity		95% r.h., non-condensating	
Maintenance	Maintenance-free		
Dimensions / Weight	Dimensions	See «Dimensions»	
	Weight	Approx. 5.3kg	

Dimensions [mm]

Dimensional drawings

Damper spindle	Length	● I	■ I	◆ I
	≥117	12...26.7	>12	< 25.2
	≥20	12...26.7	>12	< 25.2



Wiring diagram: modulating actuators

Notes:

- Connection via safety isolating transformer.
- Parallel connection of several actuators is possible.
- Power consumption must be observed.

