

Modulating spring return actuator with emergency function for adjusting air dampers in ventilation and air conditioning systems in buildings

- Torque 20Nm
- Nominal voltage AC/DC 24V
- Control: modulating DC (0)2...10V
- Position feedback DC 2...10V



## Technical data

<b>Electrical data</b>	Nominal voltage	AC 24V, 50/60Hz / DC 24V	
	Nominal voltage range	AC 19.2...28.8V / DC 21.6...28.8V	
	Power consumption	In operation 5W @ nominal torque At rest 3W For wire sizing 7VA	
	Connection	Cable 1m, 4 x 0.75mm <sup>2</sup>	
<b>Functional data</b>	Torque	Motor Min. 20Nm @ nominal voltage Spring return Min. 20Nm	
	Control	Control signal Y DC (0) 2...10V, input impedance 100kΩ Operating range DC 2...10V	
	Position feedback (measuring voltage U)	DC 2...10V, max. 0.5mA	
	Position accuracy	±5%	
	Direction of rotation	Motor Reversible with switch Spring return Can be selected by mounting L / R	
	Manual override	With hand crank and interlocking switch	
	Angle of rotation	Max. 95°↔, can be limited with adjustable mechanical end stop	
	Running time	Motor ≤150s (0...20Nm) Spring return ≤20s @ -20...50°C / max. 60s @ -30°C	
	Sound power level	Motor ≤40dB(A) @ 150s running time Spring return ≤62dB(A)	
	Service life	Min. 60,000 emergency positions	
	Position indication	Mechanical	
	<b>Safety</b>	Protection class	III Extra low voltage UL Class 2 Supply
		Degree of protection	IP54 NEMA2, UL Enclosure Type 2
		EMC	CE according to 2004/108/EC
		Certification	Certified to IEC/EN 60730-1 and IEC/EN 60730-2-14 cULus according to UL 60730-1A and UL 60730-2-14 and CAN/CSA E60730-1:02
Mode of operation		Type 1.AA	
Rated impulse voltage		0.8kV	
Control pollution degree		3	
Ambient temperature		-30...+50°C	
Non-operating temperature		-40...+80°C	
Ambient humidity		95% r.h., non-condensating	
Maintenance	Maintenance-free		
<b>Dimensions / Weight</b>	Dimensions	See «Dimensions»	
	Weight	Approx. 2.3kg	

## Dimensions [mm]

### Dimensional drawings

Variant 1a:

¼"-spindle clamp (with insertion part) EU Standard

Damper spindle	Length			
	≥85	10...22	10	14...25.4
	≥15			

Variant 1b:

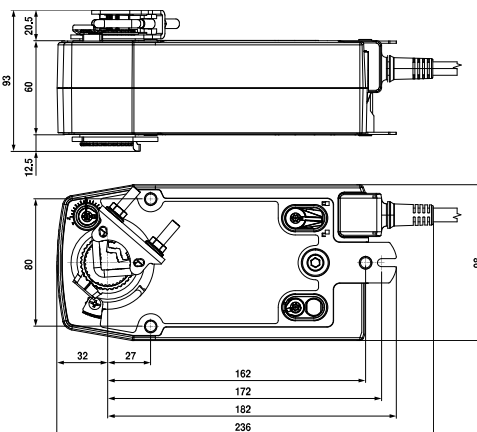
1"-spindle clamp (without insertion part) EU Standard

Damper spindle	Length		
	≥85	19...25.4	12...18
	≥15	(26.7)	

Variant 2:

¼"-spindle clamp (optional via configuration)

Damper spindle	Length		
	≥85	10...19	14...20
	≥15		



## Wiring diagram: modulating actuators

### Notes:

- Connection via safety isolating transformer.
- Parallel connection of several actuators is possible.
- Power consumption must be observed.

