

VN8 Series 2-way/3-way FCU Control Valves

INSTALLATION MANUAL

Technical

Actuators:

Operation voltage: 220Vac±10%, 110Vac±10%
24Vac±10% 50/60Hz

Control mode: ON/OFF type (Three wire two control), Non-Spring return

Operating temperature: 0 ~ 65°C

Operating relative humidity: 10% ~ 90%RH, no condensating

Power: ≤6W(50Hz); ≤7.5W(60Hz)

Operating time: Open≤15s
Close≤15s

Protection rating: IP42

Valves:

Applicable medium: Cold or hot water, up to 50% glycol

Medium temperature: 0 ~ 94°C

Operating temperature: 0 ~ 65°C

Operating relative humidity: 10% ~ 90%RH

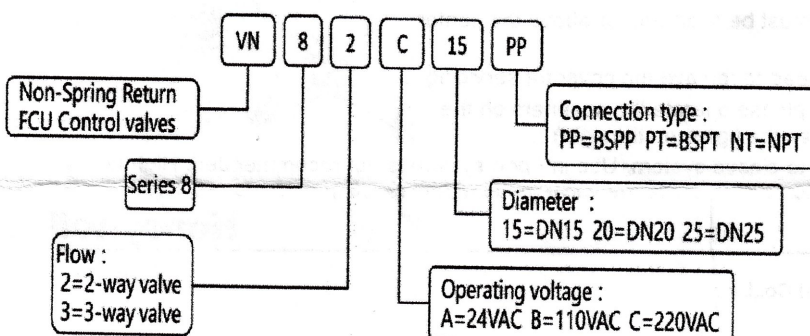
Storage conditions: -40 ~ 65°C, 10% ~ 90%RH, no condensating

Nominal pressure: PN20

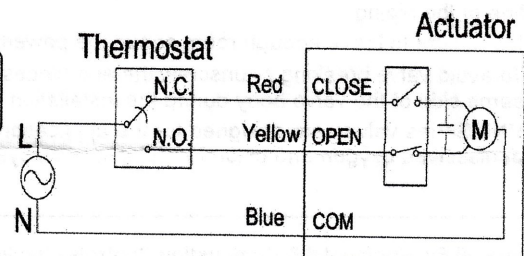
Materials: Valve body or ball - Forged brass(HPb59-1)
Valve stem - Stainless steel(0Cr18Ni9)
Ball Sealing - Poly tetrae fluoro ethylene(PTFE)
O-ring seal - EPDM

Model	Dimension	Flow	Kv	Close-off Differential Pressure PSI (MPa)
VN82X15XX	1/2" (15mm)	2-way	4.0±10%	87 (0.6)
VN82X20XX	3/4" (20mm)		7.0±10%	
VN82X25XX	1" (25mm)		8.0±10%	
VN83X15XX	1/2" (15mm)	3-way	4.2±10%	
VN83X20XX	3/4" (20mm)		8.0±10%	
VN83X25XX	1" (25mm)		14.0±10%	

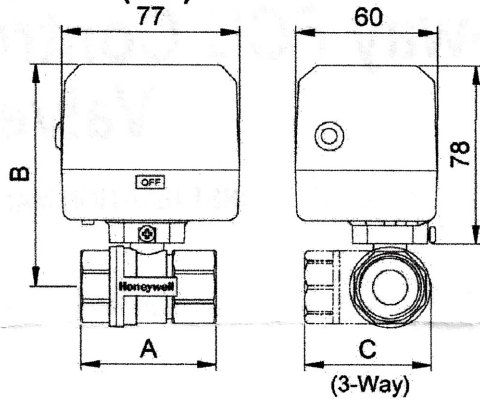
Product Identification System



Wiring

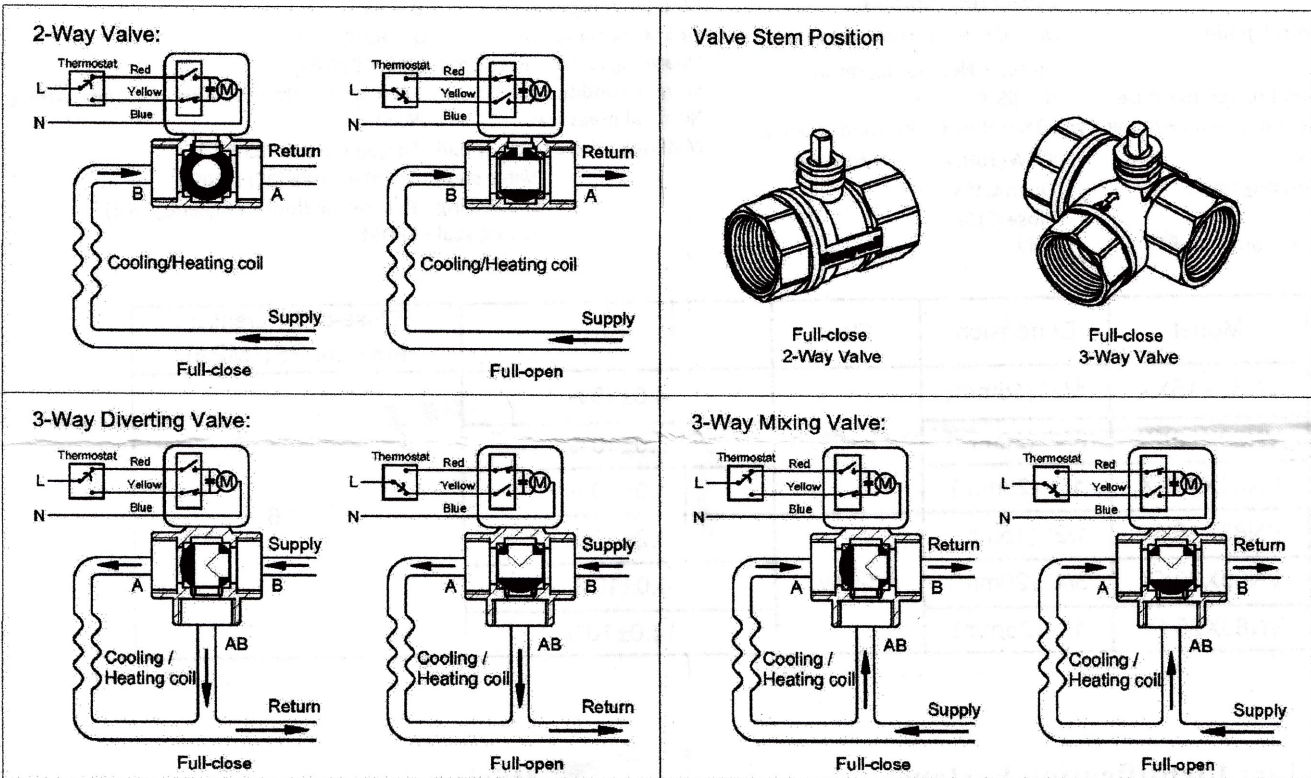


Dimensions (mm)

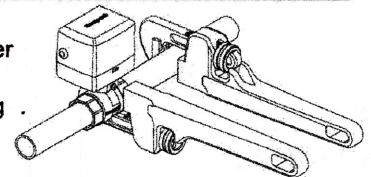


Model	Dimension (mm)		
	A	B	C
VN82X15XX	51.5	100	—
VN83X15XX	56	100	42
VN82X20XX	60	100	—
VN83X20XX	67	100	53
VN82X25XX	66	105	—
VN83X25XX	83	105	62

Installation Guide



- The FCU valve can be mounted in any position on a vertical line .
- If the valve is mounted horizontally, the powerhead must be even with or above the center line of the piping .
- Make sure to leave enough room above the powerhead to remove the cover for servicing .
- To avoid valve breaking or unscrew the end pieces, please operate the spanners on the same side of the valve body during the installation (as the figure on the right) .
- VN8 Series valves are designed for the application to closed system. Use in open system is not recommended. High levels of dissolved oxygen and chlorine round in open systems may erode the valve material and result in premature failure.



Honeywell

Honeywell Environmental & Combustion Controls (Tianjin) Co.,Ltd.
 No. 158, NanHai Road
 Tianjin Economic-Technological Development Area
 Tianjin, 300457, P.R.C.
 Phone: +86-22-66287000
 Fax: +86-22-25325214

Subject to change without notice.