

# CULMI PCO-4 ELECTRIC OIL TRANSFER CHARGING PUMP (1/3HP) (MAX. PUMP AGAINST PRESSURE 232PSI)

## ELECTRIC REFRIGERATION OIL CHARGING PUMP

### PCO-4

Low Noise,  
High Efficient

- Built-in thermal protector, Prevent overload
- Easy to carry, Efficient and time- saving
- Strong power, Easy charging

### PCO-6

Unlimited Filling of  
All Kinds Oil

- Max. Pump against pressure 2.5MPa
- Easy connection and fast charging
- Meet high viscosity condition
- With pressure relief protection device



PCO-4

PCO-6



PCO-4  
0.8m LP Hose



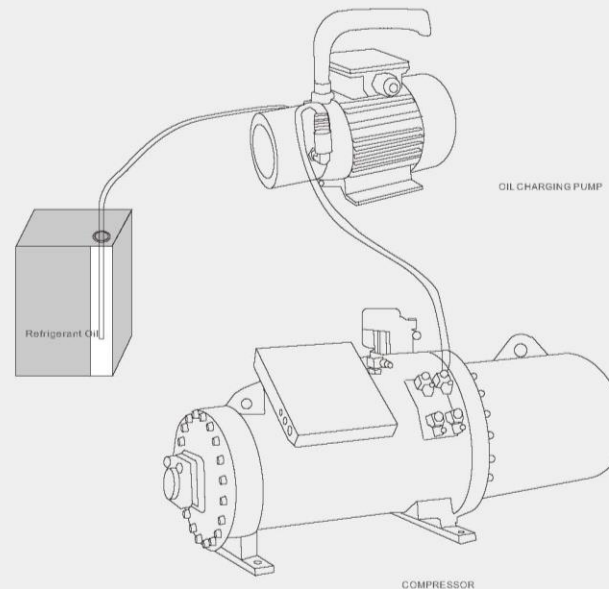
PCO-6  
0.8m LP Hose



1.5m HP Hose



## INSTRUCTIONS:



## TECHNICAL DATA

Model	PCO-4	PCO-6
Voltage	230V~50-60Hz or 115V~60Hz	
Motor Power	1/3HP	3/4HP
Pump to Against Pressure(Max)	16bar(232psi)	25bar(362psi)
Flow Rate(Max.)	150L/h	350L/h
Applicable oil bottle size	All sizes	
Hose Connect	1/4" & 3/8" SEA	
Accessory	0.8m LP Hose,1.5m HP Hose,Two Adapter,Aluminum Toolbox	