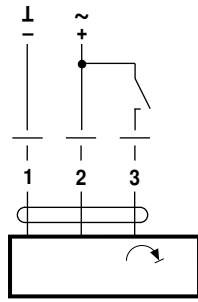
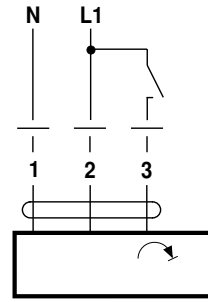


AC 24 V / DC 24 V

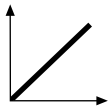


SR(C)24A-5

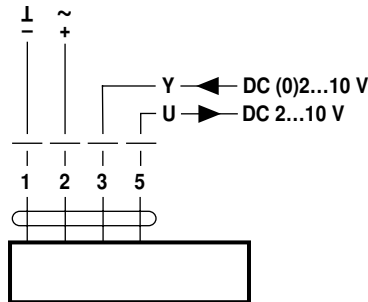
AC 230 V ⚠



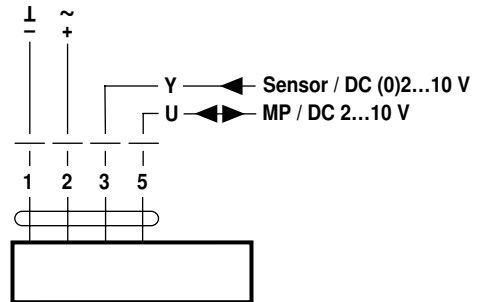
SR(C)230A-5



AC 24 V / DC 24 V

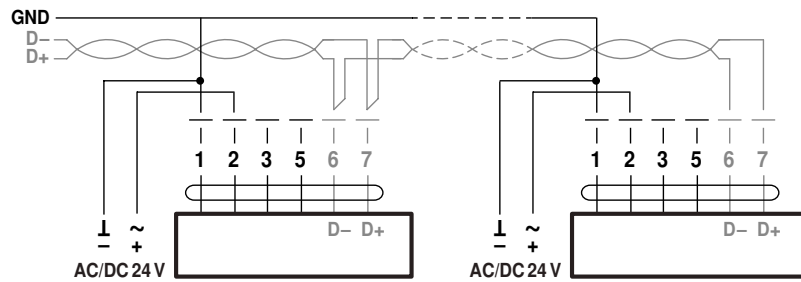


SR24A-SR-5 / SR24A-MF-5



SR24A-MP-5

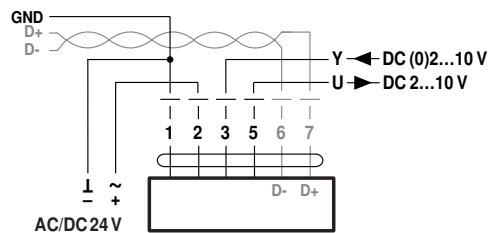
BACnet MS/TP / Modbus RTU



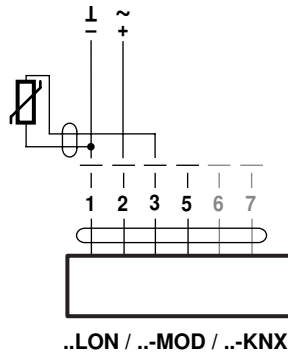
SR24A-MOD-5

SR24A-MOD-5

BACnet MS/TP / Modbus RTU / analog



SR24A-MOD-5



| | | |
|--------|----------------------------|-----------------------------|
| Ni1000 | -28...+98°C | 850...1600 Ω ²⁾ |
| PT1000 | -35...+155°C | 850...1600 Ω ²⁾ |
| NTC | -10...+160°C ¹⁾ | 200 Ω...60 kΩ ²⁾ |

