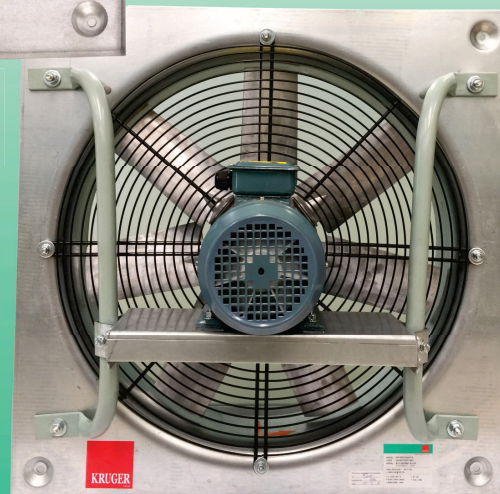
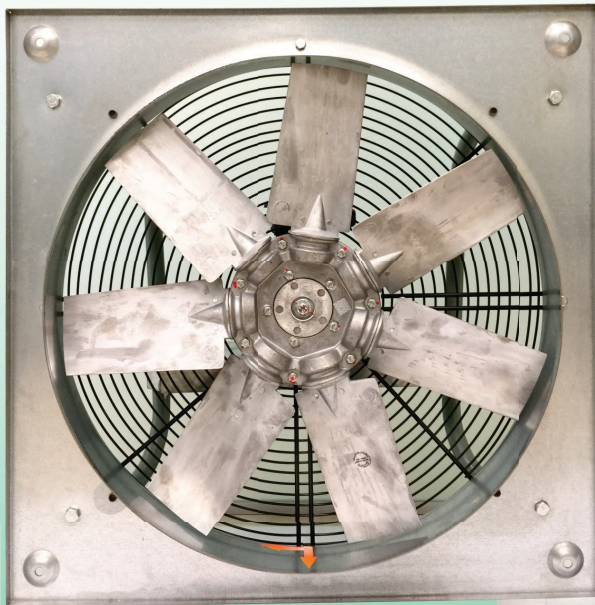




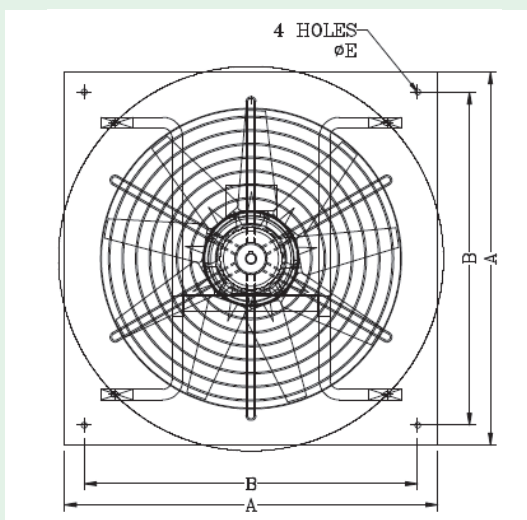
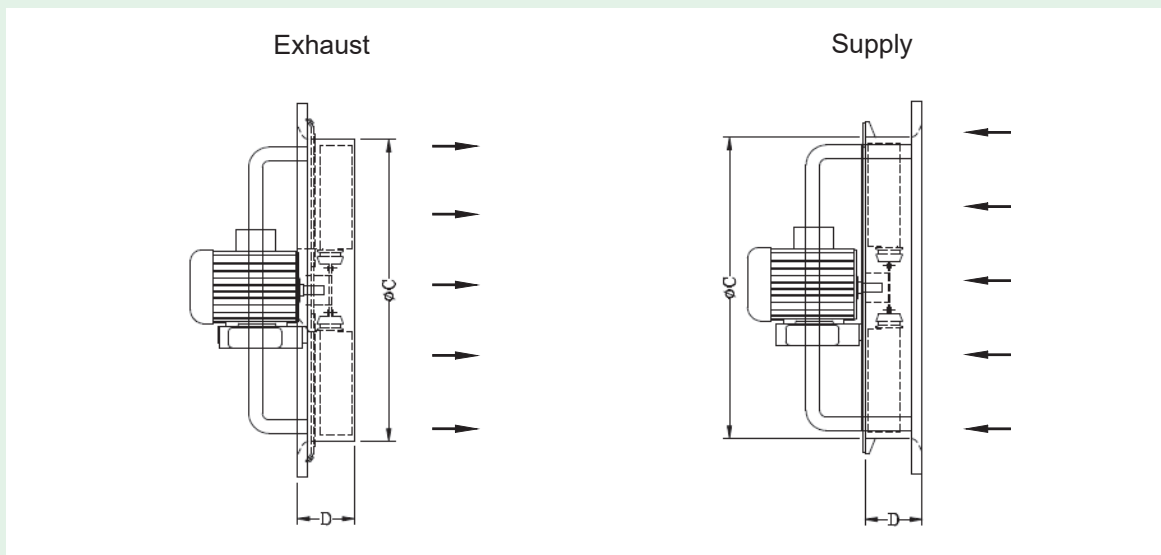
PROPELLER FANS **APN Series**



Propeller Fans – APN Series

- Propeller fan for wall or panel mounting with wall plate made of galvanised steel. Impeller having blades made of Glass Reinforced Polypropylene (PPG), Glass Reinforced Polyamide (PAG) or Aluminium.
- Totally enclosed Class "F" motor, to a min. IP54 protection are fitted as standard. Standard motor up to 2.2 kW are usually supplied on DOL starting, motor 3.0 kW and above are star/delta starting. Motors of other specification are available upon request.
- Statically and dynamically balanced to ISO 1940 standard.

Dimensions



Model	A	B	C	D	E
APN 315	400	330	315	75	10
APN 355	450	380	355	85	10
APN 400	500	420	400	90	10
APN 450	560	480	450	103	10
APN 500	630	560	500	105	10
APN 560	710	630	560	111	10
APN 630	800	710	630	112	12
APN 710	900	800	710	108	12
APN 800	968	910	800	170	14
APN 900	1070	1008	900	212	14
APN 1000	1170	1112	1000	215	14

All dimensions in mm.

The company is always improving and developing its products, therefore the company reserves the right of making changes to the illustrated products. Certified dimension can be provided upon request.