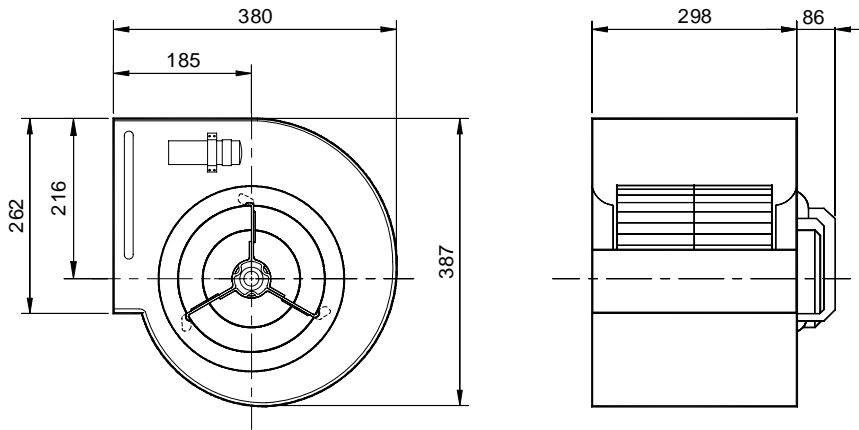


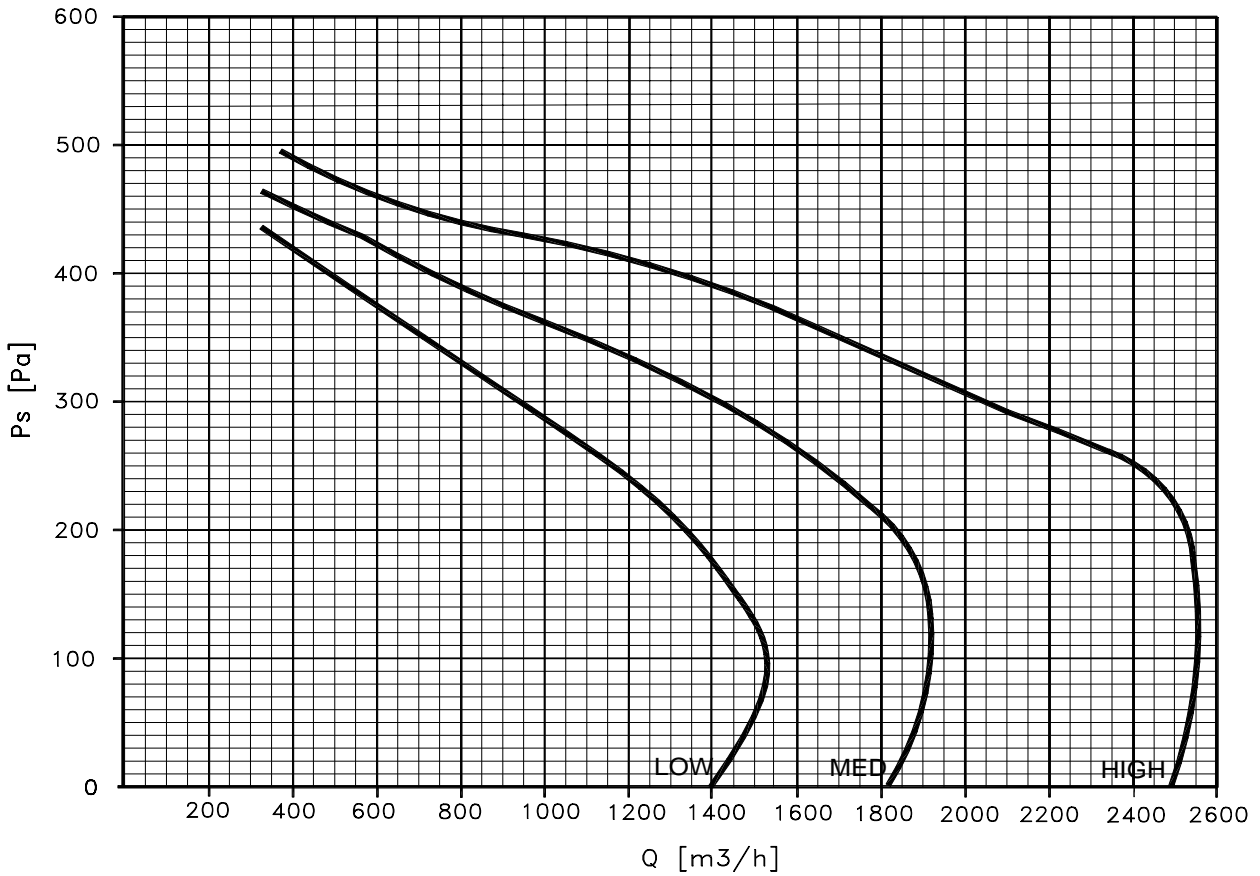
KDD 9/9 350W 4P-1 3SK



WATT	350	VOLT	220 - 240	dB(A) at 3m	56
RPM	1300/1150/1050	Ph	1	Ins Cl.	F
POLE	4	Hz	50	IP	21



All Dimension in mm



* Sound $L_p(A)$ at 3 m free field.