

REFWORLD REFRIGERATION INDUSTRY CO.,LTD



ADD:No.51, Youyun Rd, Qinglin Bay, Haishu District,
Ningbo,China POBOX:315016

TEL: 0086-574-87036936/87036969, FAX: 0086-574-87762810

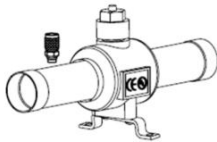
E-mail: refworld@refworld.com.cn; Website: www.refworld.com.cn

RW-BV SERIES BRASS BALL VALVE FOR REFRIGERATION AND AIR CONDITIONING

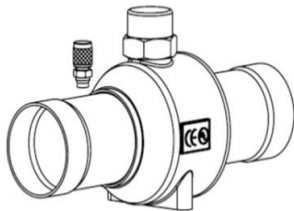
Charasteristics

- ◆ **HPB59-1** Forged Brass Body Structure with extended copper tube and optional schraider valve
- ◆ Full size ports for unrestricted flow on all sizes from **1/4"(6mm) to 4-1/8"(102mm)**
- ◆ The perfect plolised **S.S.316 ball** sourrounded by Teflon proventing leakage. Stem seal ans stem washer provide maximum stem seal. Bottom load stem for safty.
- ◆ Brass stop shaft ensures fully open to fully close with **a 90° turn** in CCW and CW direction
- ◆ Ball Valve **Internal pressure relief port design** enslures possitive shut-off in either flow direction, even during system evacuation
- ◆ All RW-BV Series ball valve are **bi-direction flow allowable**, and can be installed in any position. (But suggest to be mounted in Horionzal postion and keep the spindle in vertical position)
- ◆ Working Temp. Range: **-50 °C ~ 150 °C (-122 °F ~ +302 °F)**
- ◆ Designed Working Pressure: **650 psig (45bar)**
- ◆ Suitable for CFC/HCFC/HFC (**R22,R134A,R404A,R407C,R502, R507,R410A etc.**)

Image



Small Connection Size Ball Vlave Mounting

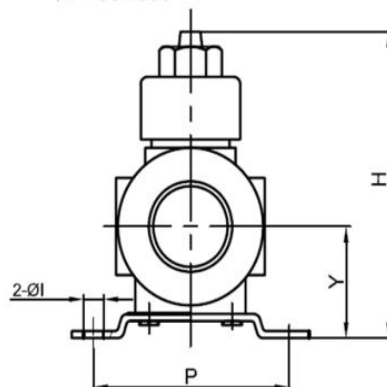
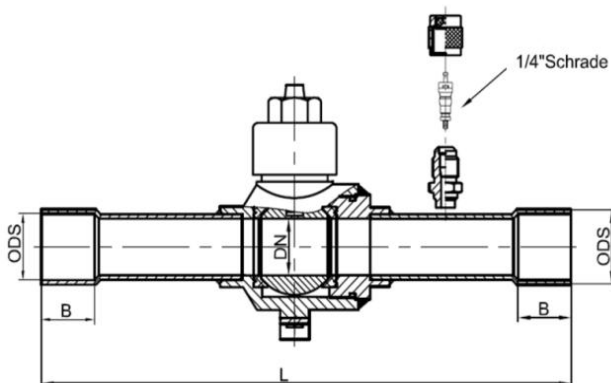


Big Connection Size Ball Vlave Mounting



Drawing

schrade valve optional



Technical Data - Inch Dimension

MODEL	CONNECTION ODS		B	H	L	Y	P	φl	DN	Qty	W.T.	Code	Price without Shcrade	Price with Shcrade
	mm	inch											mm	mm
RW-BV038	3/8"	10	10	55	125	19	38.5	4.5	8	120	0.183	02010101		
RW-BV012	1/2"	12	10	58	128	20	38.5	4.5	10	60	0.465	02010102		
RW-BV058	5/8"	16	12	67	150	24	38.5	5.5	13	60	0.470	02010103		
RW-BV034	3/4"	18	15	74	165	28	52.5	5.5	17	60	0.475	02010104		
RW-BV078	7/8"	22	20	83	190	31	59.5	6.5	20	40	0.658	02010105		
RW-BV118	1-1/8"	28	20	95	209	35	69.5	6.5	25	20	1.115	02010106		
RW-BV138	1-3/8"	35	25	100	246	35	-	-	32	14	1.600	02010107		
RW-BV158	1-5/8"	42	25	124	283	46	-	-	40	7	3.043	02010108		
RW-BV218	2-1/8"	54	30	135	320	51	-	-	52	6	3.900	02010109		
RW-BV258	2-5/8"	67	35	160	380	62	-	-	62	4	6.650	02010110		
RW-BV318	3-1/8"	80	40	193	410	76	-	-	75	2	8.450	02010111		
RW-BV418	4-1/8"	102	40	226	450	86	-	-	98	1	18.300	02010112		

Technical Data - Metric Dimension

MODEL	CONNECTION ODS		B	H	L	Y	P	φl	DN	Qty	W.T.	Code	Price without Shcrade	Price with Shcrade
	mm	inch											mm	mm
RW-BV038m	3/8"	10	10	55	125	19	38.5	4.5	8	120	0.183	02010113		
RW-BV012m	1/2"	12	10	58	128	20	38.5	4.5	10	60	0.465	02010114		
RW-BV058m	5/8"	16	12	67	150	24	38.5	5.5	13	60	0.470	02010115		
RW-BV034m	3/4"	18	15	74	165	28	52.5	5.5	17	60	0.475	02010116		
RW-BV078m	7/8"	22	20	83	190	31	59.5	6.5	20	40	0.658	02010117		
RW-BV118m	1-1/8"	28	20	95	209	35	69.5	6.5	25	20	1.115	02010118		
RW-BV138m	1-3/8"	35	25	100	246	35	-	-	32	14	1.600	02010119		
RW-BV158m	1-5/8"	42	25	124	283	46	-	-	40	7	3.043	02010120		
RW-BV218m	2-1/8"	54	30	135	320	51	-	-	52	6	3.900	02010121		
RW-BV258m	2-5/8"	67	35	160	380	62	-	-	62	4	6.650	02010122		
RW-BV318m	3-1/8"	80	40	193	410	76	-	-	75	2	8.450	02010123		
RW-BV418m	4-1/8"	102	40	226	450	86	-	-	98	1	18.300	02010124		

NOTE:

Both "inch" and "mm" connection available. Please add "mm" to "inch" model for metric connection. For instance, Inch connection: RW-BV038, while metric connection: RW-BV038m

Schrader valve is optional part. It can be supplied according to customers' requirement