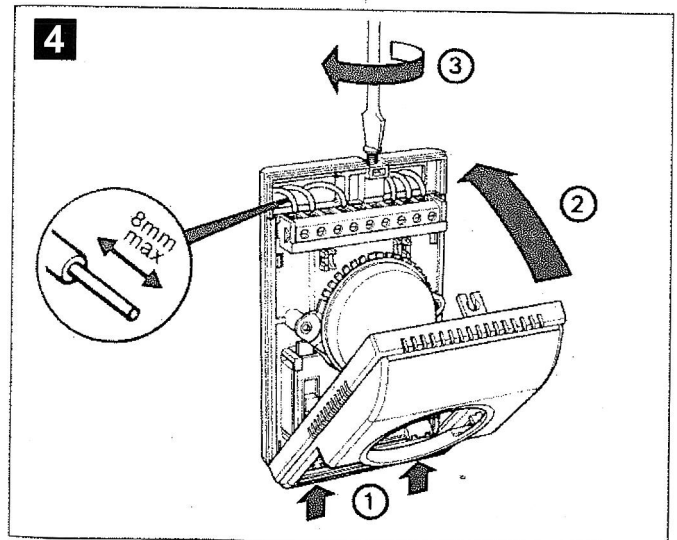
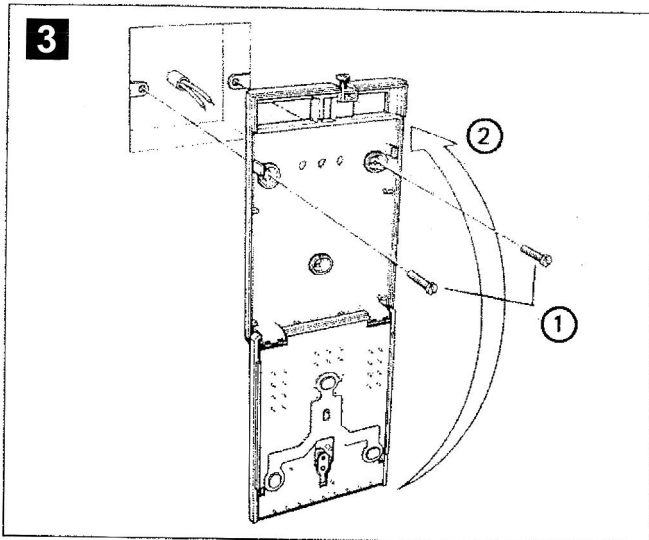
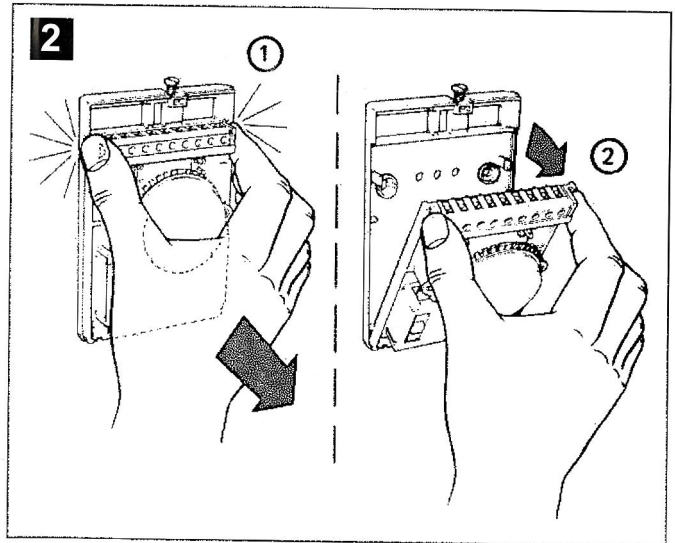
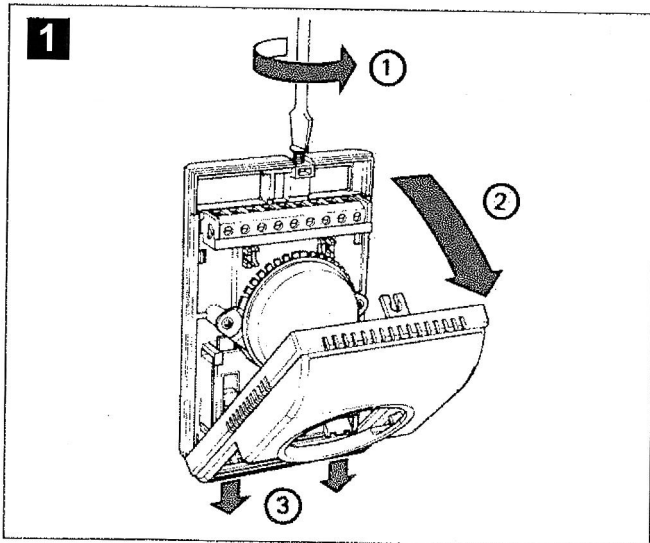
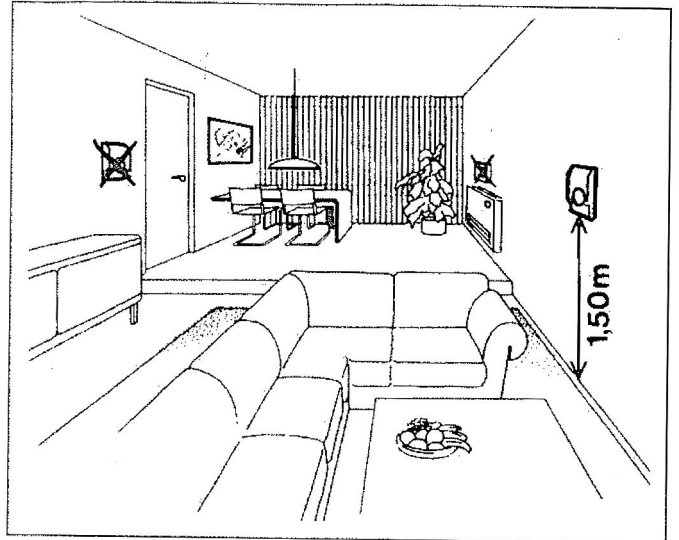
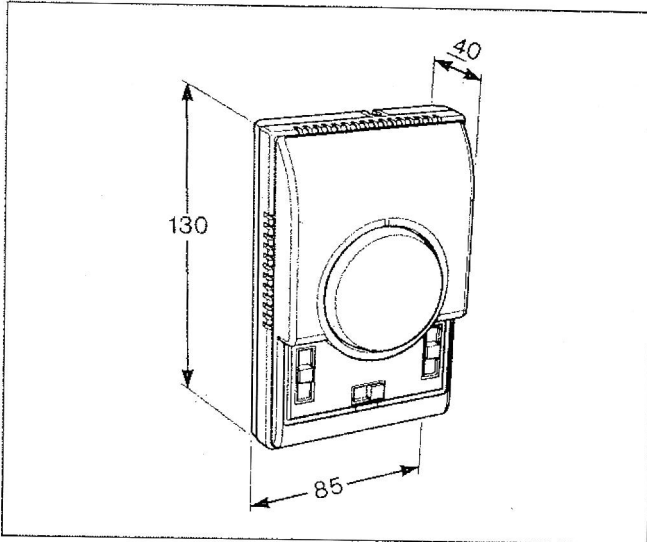
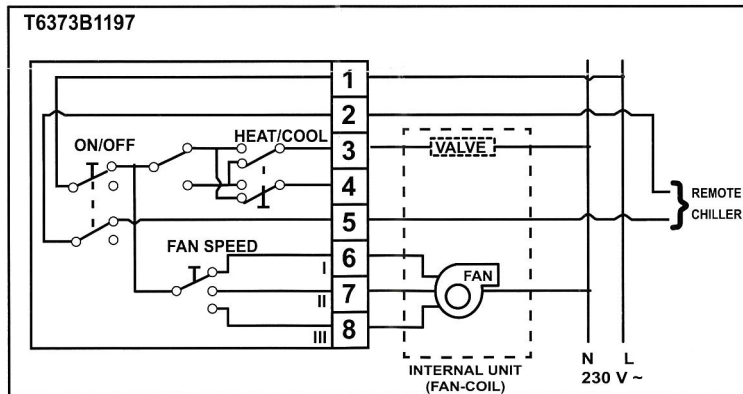
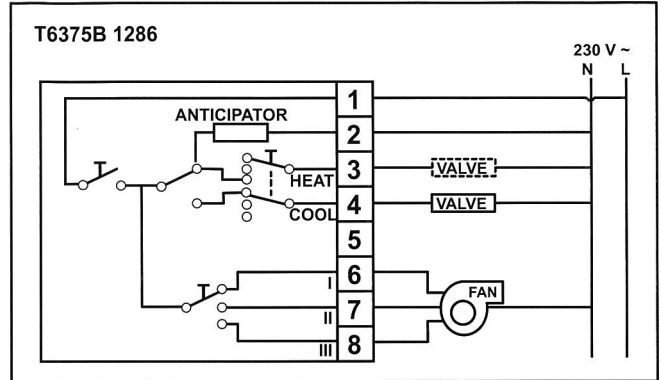
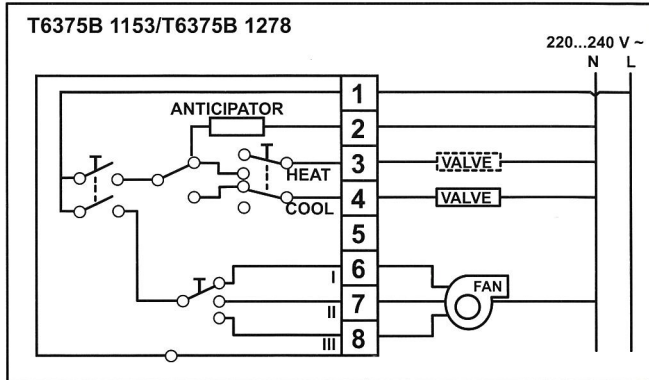
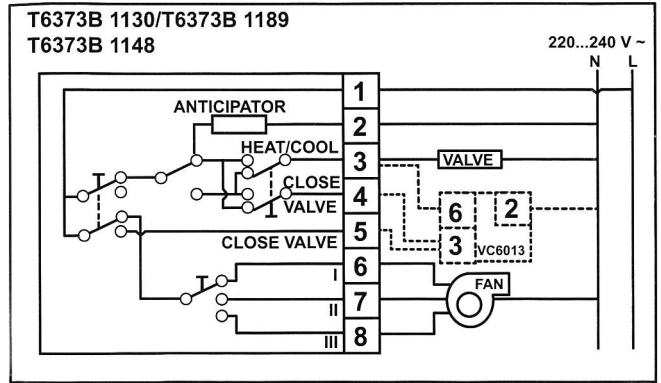
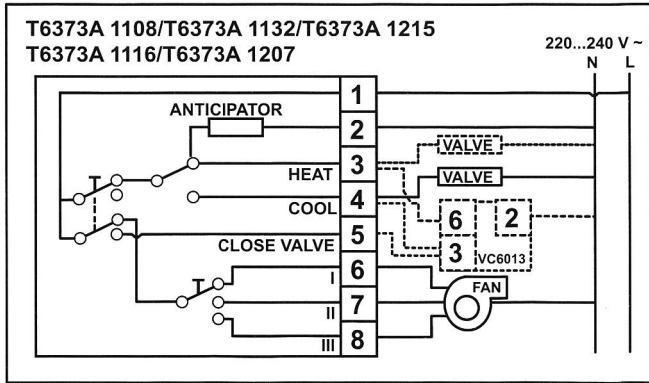




## XE FAN-COIL THERMOSTAT Installation Sheet





**resideo**

Pittway Sarl, Z.A. La Pièce 4,  
 1180 Rolle, Switzerland

[www.resideo.com](http://www.resideo.com)

Country of origin: China

©2020 Resideo Technologies, Inc. All rights reserved.

The Honeywell Home trademark is used under license from Honeywell International Inc.  
 This product is manufactured by Resideo Technologies, Inc. and its affiliates.

*No user serviceable parts. Do not dispose of in a fire.*