

# Air Curtain Series



## ○ Features

Dewpoint air curtain is driven by high efficiency and high performance external rotor motor coupled with powerful sirocco fan system which provides super high outlet velocity with concentrated air stream that covers the entire doorway with a solid shield of air.

This “invisible door” serves the shut-out function for indoor cool air retention, blocking out unpleasant dust, fumes and odors, zoning function for separating air-conditioning zone & non air-conditioning zone, smoking and non-smoking areas and it may even be used for air circulation purpose.



## ○ Standard Model

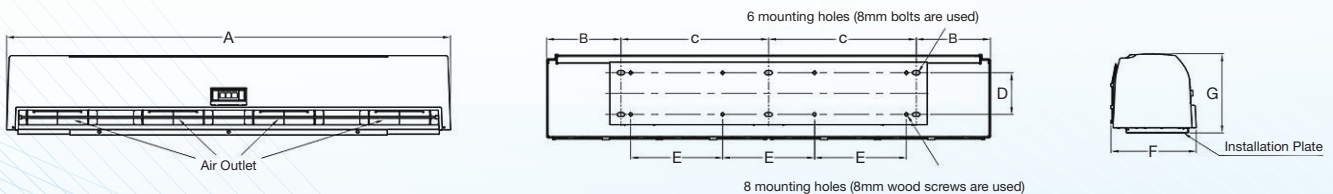


### Application

For residential and commercial application:

Retail outlet, shopping mall, hotel, cafeteria, restaurant, mini market, etc.

### Installation Dimension



Model	A	B	C	D	E	F	G
DAC308C DAC310C DAC312C	900	50	400	113	249	230	214
DAC408C DAC410C DAC412C	1200	200	400	113	249	230	214

Model		DAC308C		DAC408C		DAC310C		DAC410C		DAC312C		DAC412C	
Width	ft	3		4		3		4		3		4	
Throw	ft	8		8		10		10		12		12	
Power Supply	V/PH/Hz	240/1/50											
Speed Control		Hi	Lo	Hi	Lo	Hi	Lo	Hi	Lo	Hi	Lo	Hi	Lo
Max Power Input	W	89	76	106	91	200	175	250	210	276	250	320	300
Current	A	0.38	0.32	0.45	0.38	0.81	0.72	0.94	0.87	1.14	1.09	1.31	1.24
Outlet Velocity	m/s	9.6	8.5	9.3	8.4	14.4	11.9	14.5	12.5	17.8	15.9	16.3	14.5
	ft/s	31.4	28.0	30.6	27.4	47.3	38.9	47.6	40.9	58.4	52.1	53.5	47.4
Air Volume	cfm	442	379	585	504	599	492	802	690	698	625	970	792
	L/s	209	179	276	238	282	232	379	325	329	295	458	374
Noise Level	dBA	45	42	45	42	56	53	58	55	57	54	58	55
Weight	kg	10.1		13.3		10.1		13.3		12.2		14.1	

1) DUE TO OUR POLICY OF INNOVATION, ALL SPECIFICATIONS ARE SUBJECTED TO CHANGE BY THE MANUFACTURER WITHOUT PRIOR NOTICE.

# Turbo Model



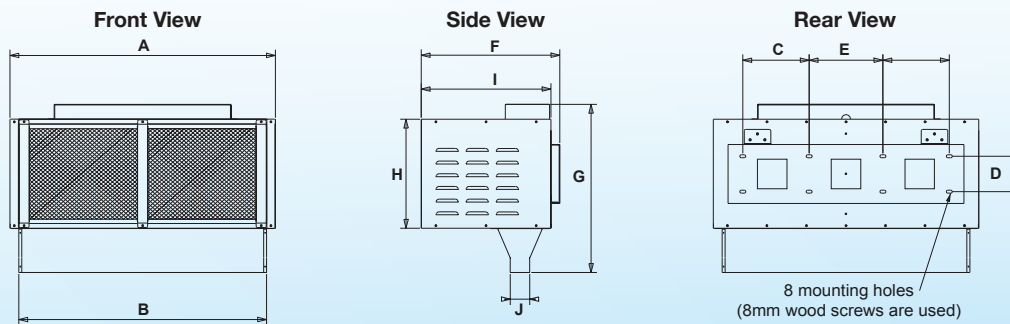
## Application

For industrial application:

Factory, warehouse, shopping mall with high ceiling, cold room, loading bay.



## Installation Dimension



Model	A	B	C	D	E	F	G	H	I	J
DAC320A	900	840	225	120	250	470	570	370	440	66
DAC420A	1200	1061	300	120	300	470	570	370	440	66

Model		DAC320A			DAC420A		
Width	ft	3			4		
Throw	ft	20			20		
Power Supply	V/PH/Hz	240/1/50					
Speed Control		Hi	Me	Lo	Hi	Me	Lo
Max Power Input	W	1,167	914	763	1,751	1,371	1,144
Current	A	5.2	4.0	3.3	7.9	6.0	5.0
Outlet Velocity	m/s	20	18	15	24	22	18
	ft/s	65.6	59.1	49.2	78.7	72.2	59.1
Air Volume	cfm	2,366	2,119	1,766	3,567	3,249	2,684
	L/s	1,117	1,000	833	1,683	1,533	1,267
Noise Level	dBA	75	75	74	73	72	71
Weight	kg	55			64		

1) DUE TO OUR POLICY OF INNOVATION, ALL SPECIFICATIONS ARE SUBJECT TO CHANGE BY THE MANUFACTURER WITHOUT PRIOR NOTICE.

[www.daikin.com.my](http://www.daikin.com.my)

**DAIKIN MALAYSIA SALES & SERVICE SDN. BHD.**

*(Formerly known as Group Associated (C & L) Sdn. Bhd.)*

*(109719-M)*

Head Office: Tel: 03-7953 8388 Fax: 03-7956 4371

Branches:

• Kedah	Tel: 04-730 5670	• Johor	Tel: 07-557 7788
• Penang	Tel: 04-331 1670	• Pahang	Tel: 09-567 6778
• Perak	Tel: 05-548 2307	• Kelantan	Tel: 09-747 4578
• Negeri Sembilan	Tel: 06-768 8969	• Sabah	Tel: 088-722 194
• Melaka	Tel: 06-288 1133	• Sarawak	Tel: 082-333 299

Authorized dealer:

Dewpoint® and  are marketed by: **DAIKIN MALAYSIA SALES & SERVICE SDN. BHD.**