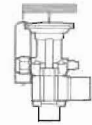
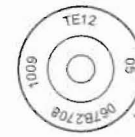
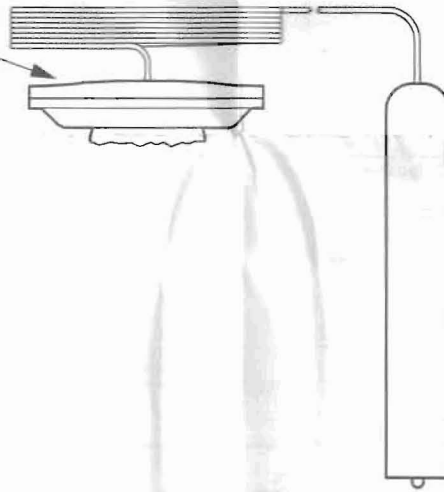


067R9608

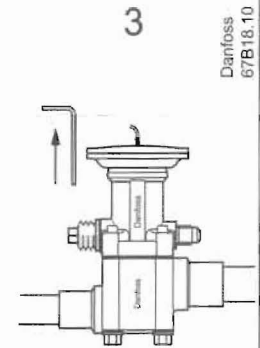
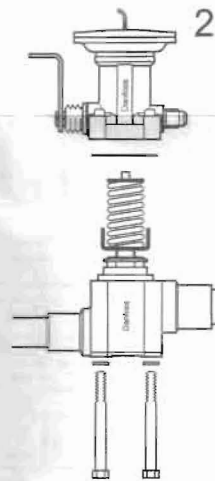
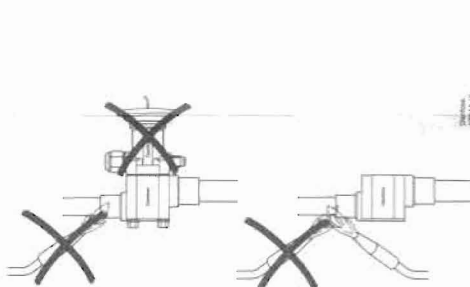
Thermostatic expansion valves TE 5, TE 12, TE 20, TE 55



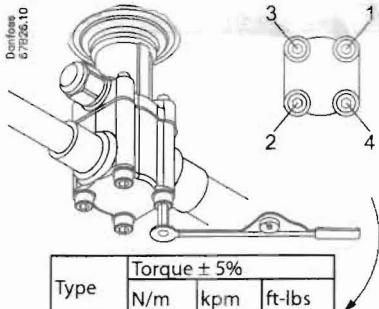
067R9608



Danfoss
67B16.11

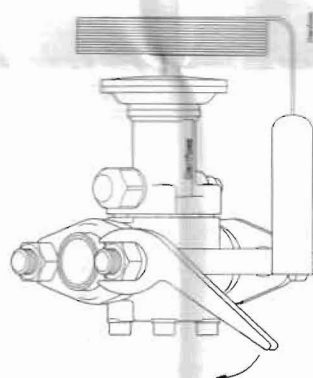


Danfoss
67B18.10

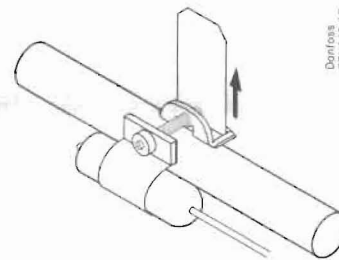


Type	Torque ± 5%		
	N/m	kpm	ft-lbs
TE 5	10	1.1	7.4
TE 12	13	1.4	9.6
TE 20	13	1.4	9.6
TE 55	15	1.6	11.1

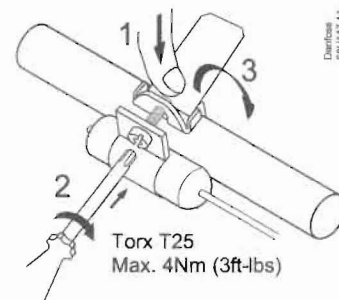
Allen key M6



TE12 tight torque 45+/-5 Nm



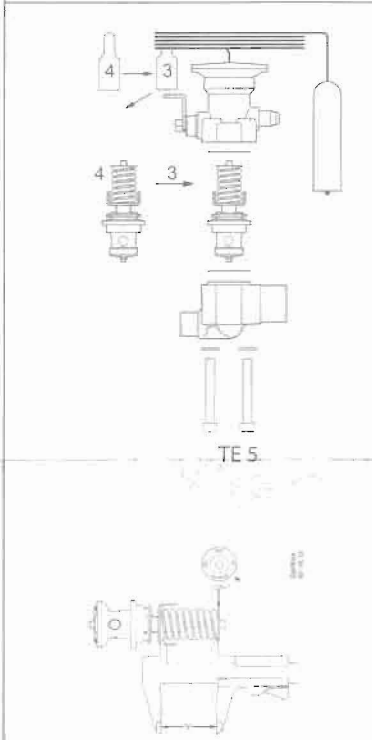
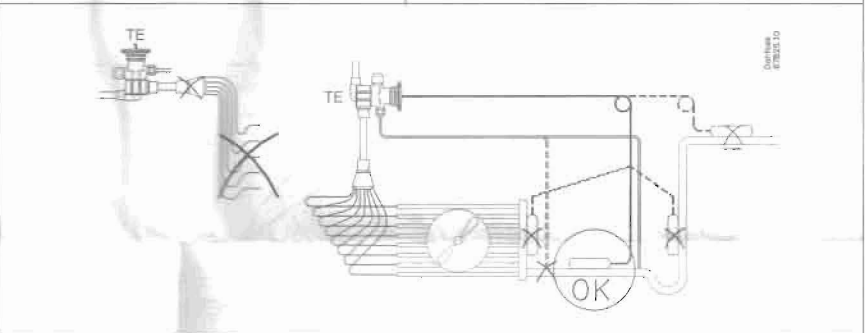
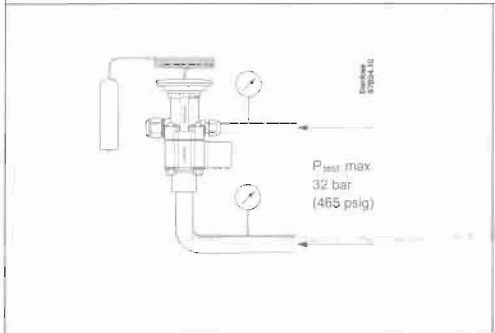
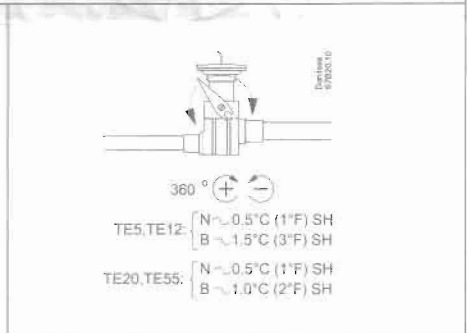
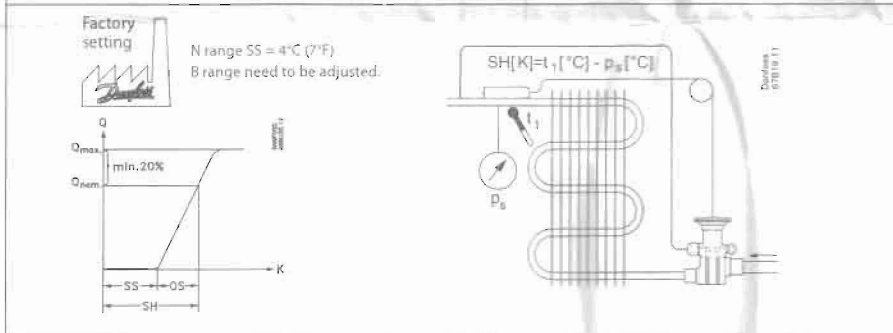
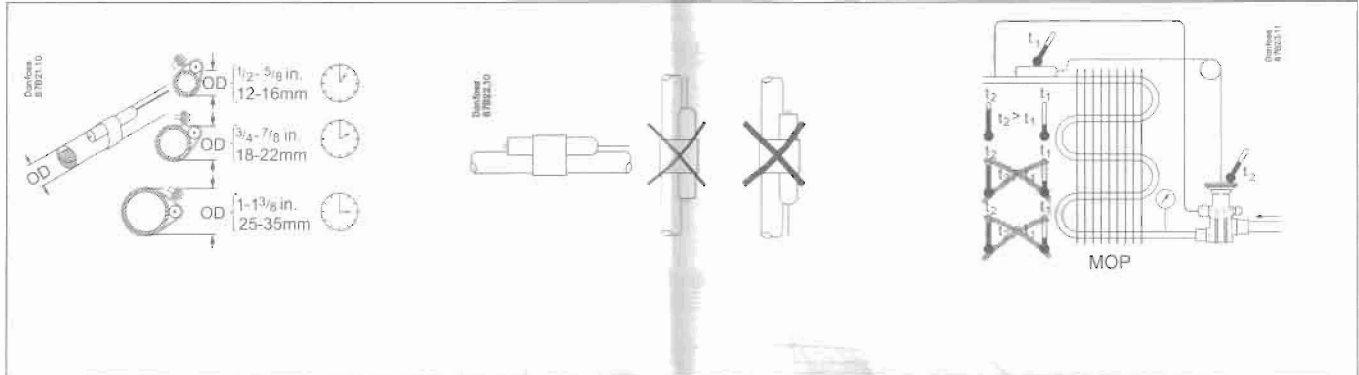
Danfoss
68U145.10



Danfoss
68U147.11

Torx T25
Max. 4Nm (3ft-lbs)

Instructions



Old orifice			New orifice		Nominal capacity TR/kW								Factory settings		
Type	Orifice No.	Old code	Type	New Code	Orifice no.	R134a		R404A/507		R407C		R22		Y-value	
TE5	1	067B2089	TE5	067B2788	0,5	1,91	6,68	2,33	8,17	3,06	10,70	2,97	10,40	26	
	2	067B2090		067B2789	1	3,49	12,20	4,26	14,90	5,60	19,60	5,46	19,10	26	
	3	067B2091		067B2790	2	4,86	17,00	5,86	20,50	7,77	27,20	7,51	26,30	26	
	4	067B2092		067B2791	3	6,23	21,80	7,51	26,30	9,94	34,80	9,66	33,80	26	
TE12	1	067B2005 ¹⁾	TE12	067B2792	4	8,49	29,70	10,20	35,70	13,50	47,40	13,10	46,00	26	
	2	067B2006 ¹⁾		067B2789 ¹⁾	2	4,86	17,00	5,86	20,50	7,77	27,20	7,51	26,30	26	
	3	067B2007 ¹⁾		067B2791 ¹⁾	3	6,23	21,80	7,51	26,30	9,94	34,80	9,66	33,80	26	
	4	067B2008		067B2792 ¹⁾	4	8,49	29,70	10,20	35,70	13,50	47,40	13,10	46,00	26	
TE20	1	067B2172	TE20	067B2708	5	10,80	37,70	14,50	50,70	15,90	55,80	16,30	57,20	37	
	1	067B2170		067B2709	6	14,30	50,10	18,30	64,00	21,10	73,90	21,80	76,30	37	
	1	067B2175		067B2710	7	18,80	65,70	23,20	81,30	26,90	94,30	27,90	97,80	37	
				067B2771	8	22,20	77,80	24,90	87,10	33,70	118,00	36,60	128,00	34	
TE55			TE55	067B2771	8	22,20	77,80	24,90	87,10	33,70	118,00	36,60	128,00	34	
				067B2773	9	26,40	93,30	29,10	102,00	38,90	136,00	42,90	150,00	34	
				067G2705	9B	For specifications, please contact Danfoss									
				067G2701	10	31,70	111,00	36,60	128,00	46,00	161,00	48,30	169,00	32,5	
				067G2704	11	34,90	122,00	39,40	138,00	50,00	175,00	52,60	184,00	32,5	
				067G2704	11	34,90	122,00	39,40	138,00	50,00	175,00	52,60	184,00	32,5	
				067G2704	11	34,90	122,00	39,40	138,00	50,00	175,00	52,60	184,00	32,5	
				067G2707	12	38,30	134,00	43,40	152,00	54,60	191,00	57,70	202,00	32,5	
				067G2710	13	47,40	166,00	52,00	182,00	66,30	232,00	70,00	245,00	32,5	
				067G2710	13	47,40	166,00	52,00	182,00	66,30	232,00	70,00	245,00	32,5	

1) change to TE5 valve body and element