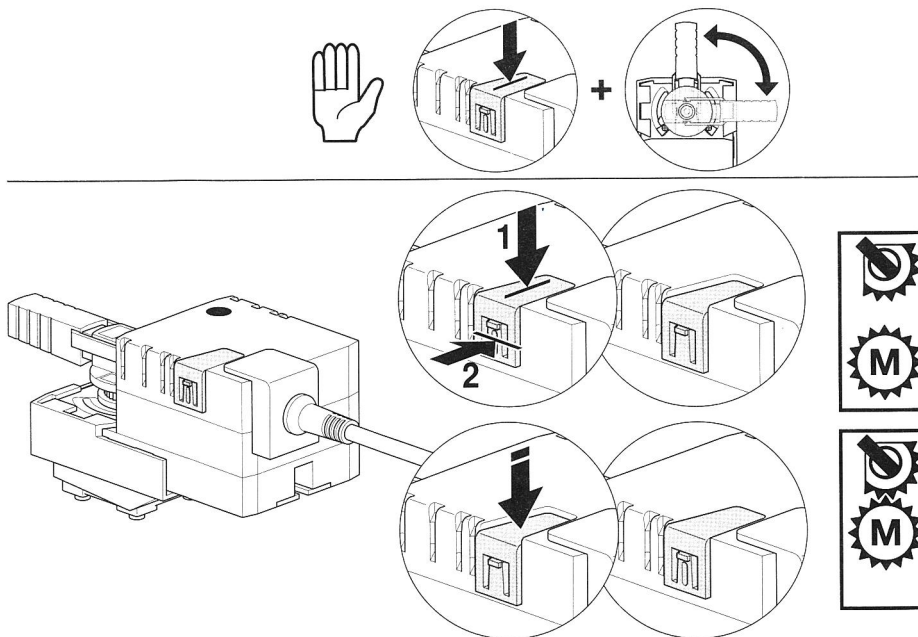
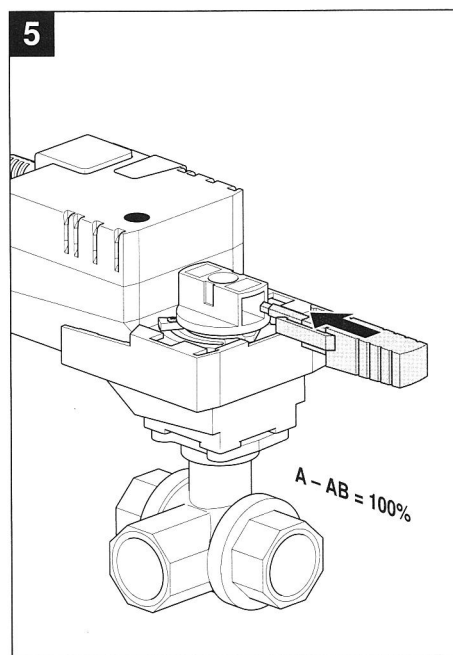
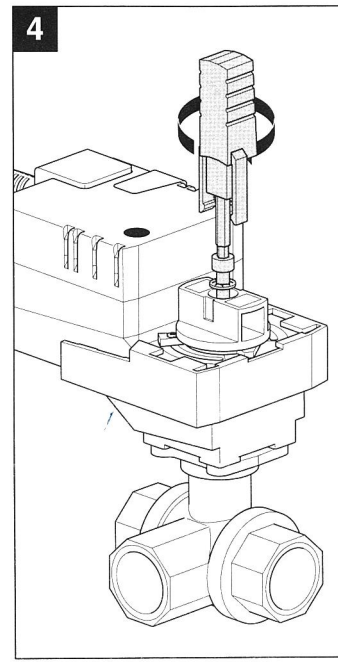
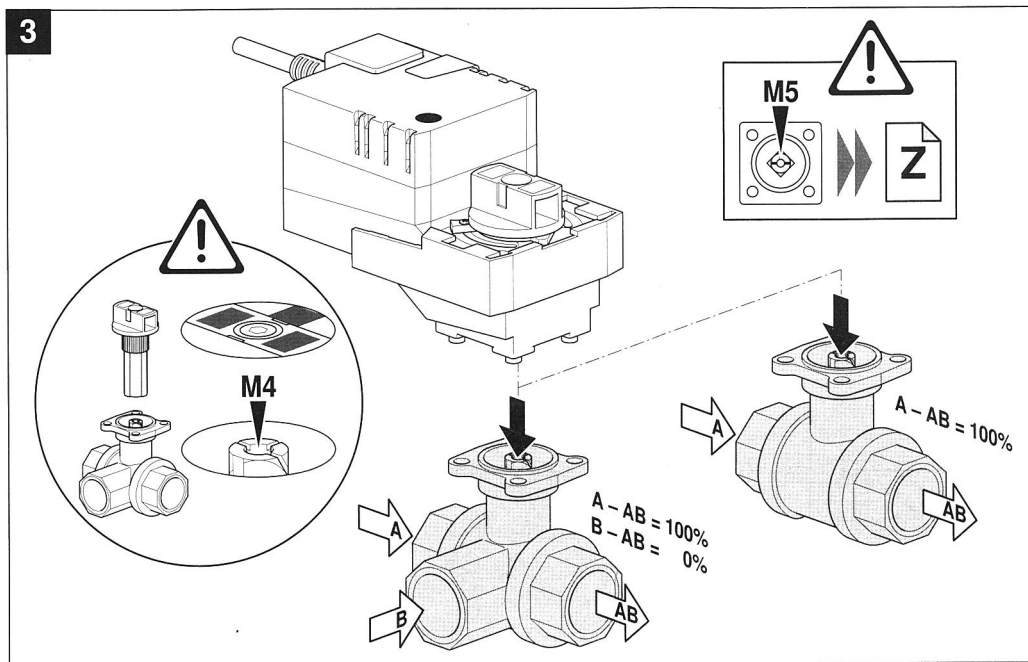
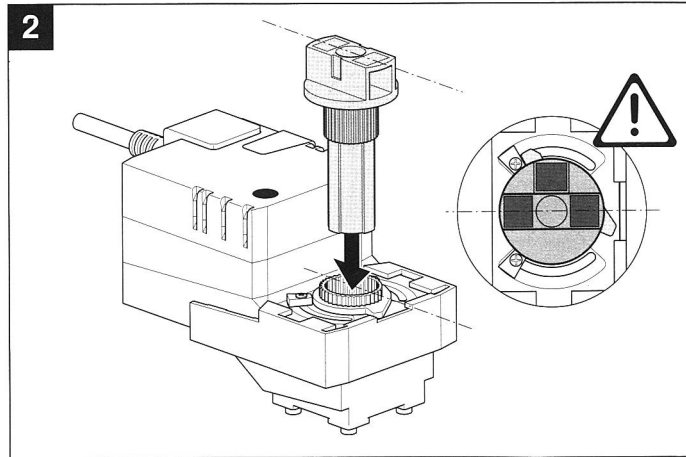
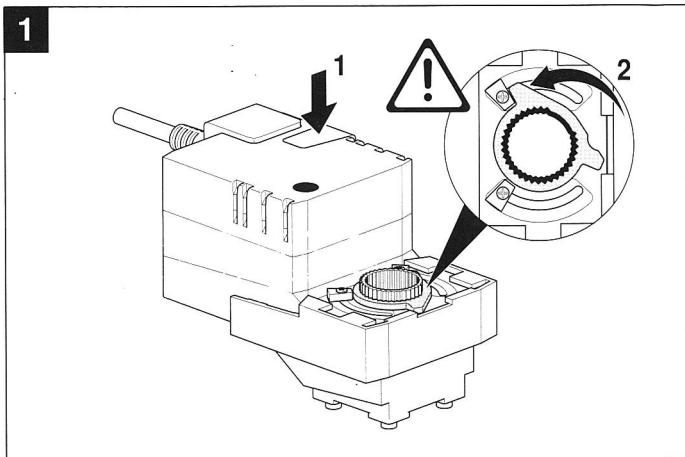
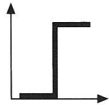
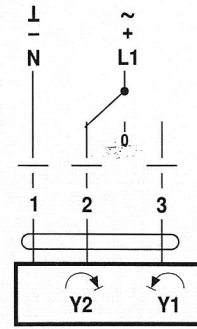
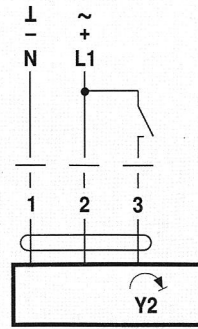
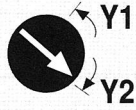
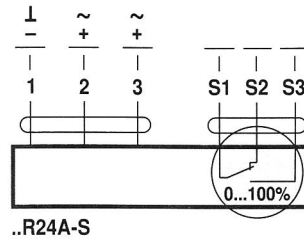
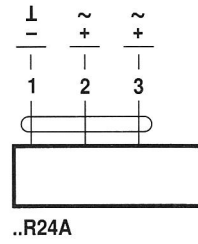


70741-00001.G

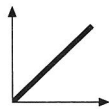
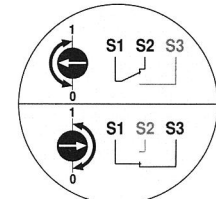
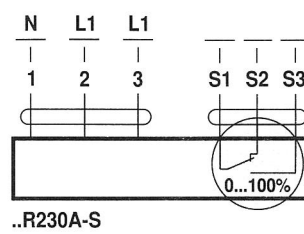
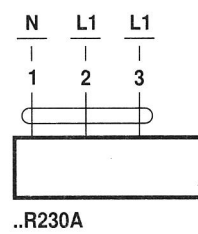




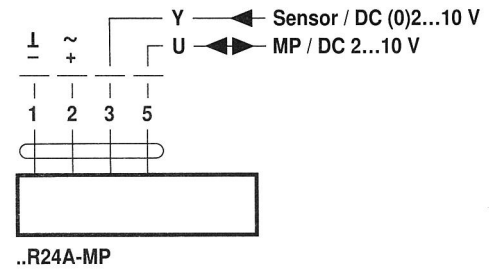
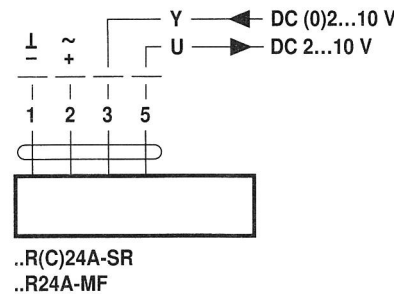
AC 24 V / DC 24 V



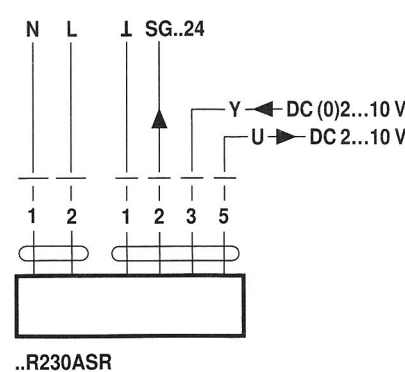
AC 100...240 V ⚠

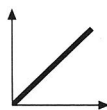


AC 24 V / DC 24 V

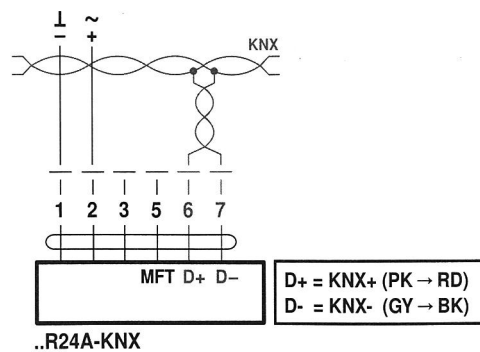
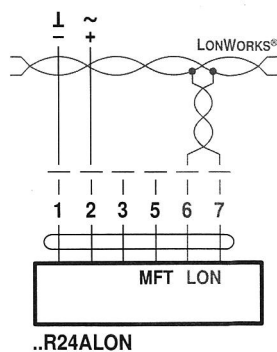


AC 100...240 V ⚠

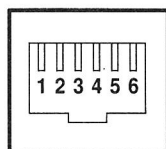
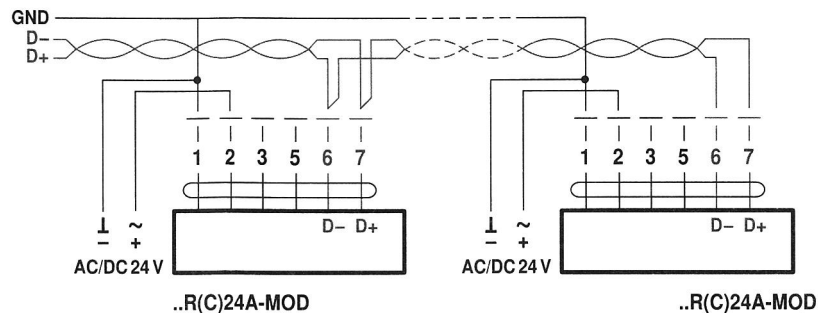




AC 24 V / DC 24 V



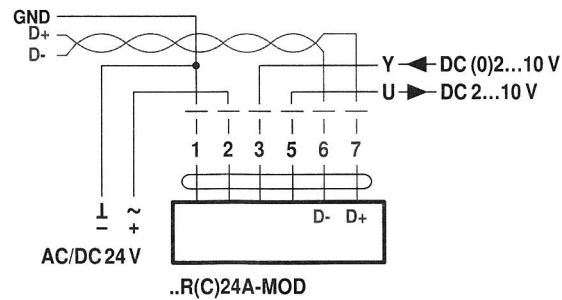
BACnet MS/TP / Modbus RTU

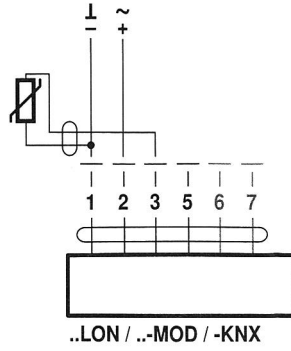


- 1 AC/DC 24 V
- 2 GND
- 3 D- (A)
- 4 D+ (B)
- 5 AC/DC 24 V
- 6 GND

..R24A-MOD-J6

BACnet MS/TP / Modbus RTU / analog





| | | |
|--------|----------------------------|-----------------------------|
| Ni1000 | -28...+98°C | 850...1600 Ω ²⁾ |
| PT1000 | -35...+155°C | 850...1600 Ω ²⁾ |
| NTC | -10...+160°C ¹⁾ | 200 Ω...60 kΩ ²⁾ |

