



FEATURES

- High air flow rate with wide cooling effect
- Class B insulation (up to 130°C)
- Capable of continuous operation (24 hours)
- High efficiency with thermal fuse protection (Multiple times resettable-fuse)
- Motor suitable for heavy duty usage
- Voltage: 240V(220-240VAC)
- UK Three pin 13A plug provided
- Three speed variation with adjustable oscillating angle and height
- Chrome guard protection against corrosion
- International approval (SIRIM)

APPLICATIONS

Factories, Kitchen, Dust Blowing Purposes
Warehouse, Restaurant, etc.

SPECIFICATIONS

Model	Position 1 (1100rpm)				Position 2 (1250rpm)				Position 3 (1400rpm)			
	Amp (A)	Watt (W)	Noise (dB)	Air Flow (CFM)	Amp (A)	Watt (W)	Noise (dB)	Air Flow (CFM)	Amp (A)	Watt (W)	Noise (dB)	Air Flow (CFM)
TP-650S1-A240FC	0.54	130	55	4758	0.6	145	60	5639	0.71	170	68	6873
TW-650S1-A240FC	0.54	130	55	4758	0.6	145	60	5639	0.71	170	68	6873

Please refer to page 9 for dimension



FEATURES

- High efficiency motor (79.5% efficiency)
- Electrical commutation design motor for energy saving
- High air flow rate with wider cooling effect
- 3-D airflow blade with large airflow, soft wind and low noise
- 5 Speed options with adjustable oscillating angle and height
- Class B insulation motor (up to 130°C)
- Built-in Thermal Fuse (Multiple Reset)

APPLICATIONS

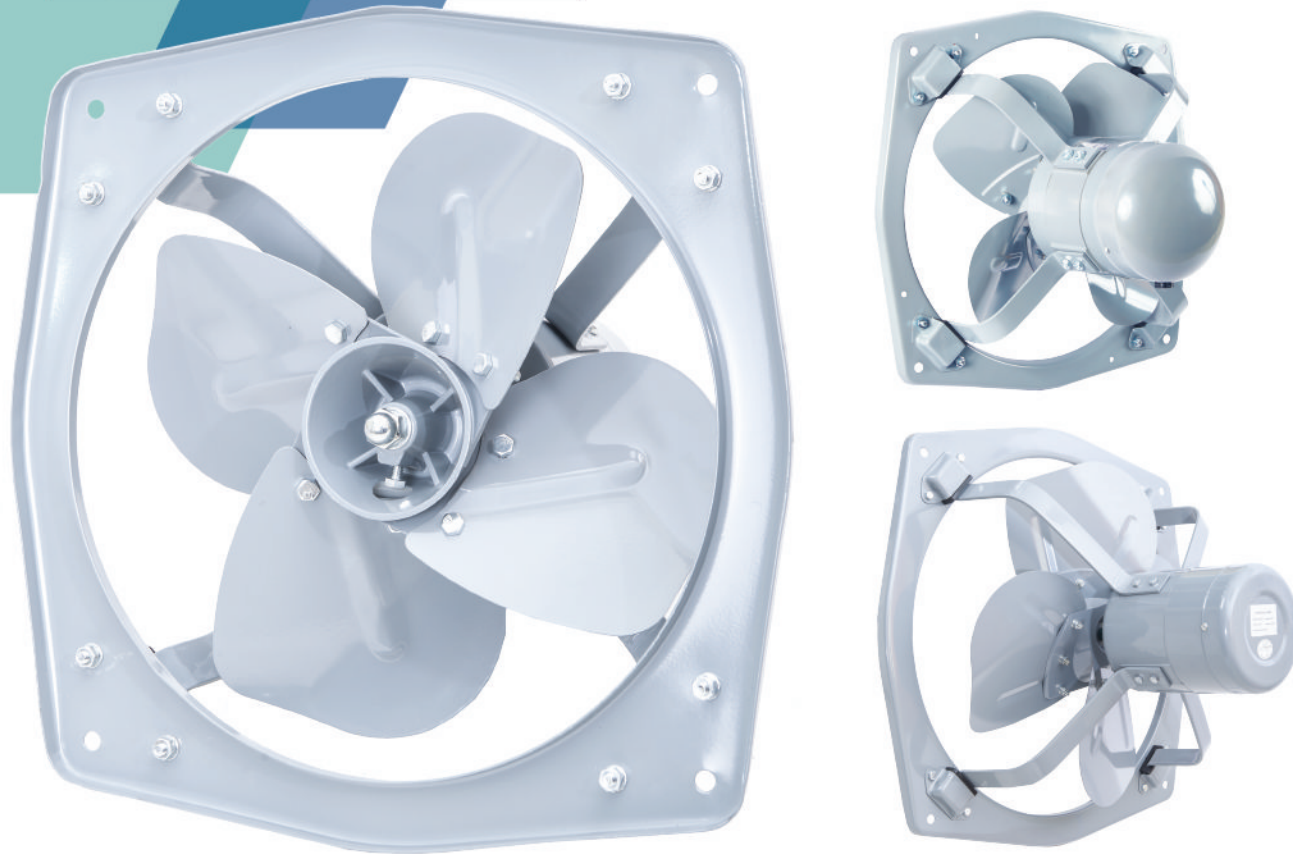
Warehouse, factories, dust blowing purpose, restaurants..etc

SPECIFICATIONS

Model	Position 1 (700rpm)				Position 2 (900rpm)				Position 3 (1100rpm)			
	Amp (A)	Watt (W)	Noise (dB)	Air Flow (CFM)	Amp (A)	Watt (W)	Noise (dB)	Air Flow (CFM)	Amp (A)	Watt (W)	Noise (dB)	Air Flow (CFM)
TP-750S1-A240F	0.12	28	52	5650	0.20	48	58	7239	0.33	78	63	8828
TW-750S1-A240F	0.12	28	52	5650	0.20	48	58	7239	0.33	78	63	8828

Model	Position 4 (1300rpm)				Position 5 (1450rpm)			
	Amp (A)	Watt (W)	Noise (dB)	Air Flow (CFM)	Amp (A)	Watt (W)	Noise (dB)	Air Flow (CFM)
TP-750S1-A240F	0.52	125	68	10417	0.75	180	72	11654
TW-750S1-A240F	0.52	125	68	10417	0.75	180	72	11654

Please refer to page 9 for dimension



FEATURES

- Optimised design for maximum airflow quiet operation
- Glossy enamel finishing on blades (anti-corrosion)
- Motor equipped with Thermo-fuse protection
- Class F insulation (up to 155°C)
- International approval (SIRIM)

APPLICATIONS

Warehouse, factories, basements, restaurants..etc

SPECIFICATIONS

Model	Size	Voltage (V)	Power (W)	Current (A)	Speed (Rpm)	Air Flow (CFM)	Noise (dB)
TE-300S1-A240FC	12"	240	80	0.35	1400	1233	70
TE-400S1-A240FC	16"	240	170	0.73	1400	2291	74
TE-450S1-A240FC	18"	240	230	0.98	1400	2890	76
TE-450S1-A415FC		415	230	0.42	1400	2890	76
TE-600S1-A240FC	24"	240	800	3.5	1400	6780	78
TE-600S1-A415FC		415	800	1.5	1400	6780	78
TE-600S2-A240FC		240	300	1.3	900	4040	77
TE-600S2-A415FC		415	300	0.6	900	4040	77

Please refer to page 9 for dimension

Approved By:



FEATURES

- Powerful wind-flow with air spiral diffusion technology
- User friendly with adjustable angle and speed
- Quiet operation and minimal heat emission
- Energy saving motor
- Enhanced security guard for protection and easy portability
- Various sizes availability (12" - 20") for wide range of application

APPLICATIONS

Suitable for residential, commercial, office and industrial usage

SPECIFICATIONS

Model	Fan Size	Position 1 (950rpm)				Position 2 (1150rpm)				Position 3 (1400rpm)			
		Amp (A)	Watt (W)	Noise (dB)	Air Flow (CFM)	Amp (A)	Watt (W)	Noise (dB)	Air Flow (CFM)	Amp (A)	Watt (W)	Noise (dB)	Air Flow (CFM)
TF-300S1-A240	12"	0.14	31	55	950	0.15	35	58	1160	0.22	50	60	1445
TF-400S1-A240	16"	0.29	67	58	1690	0.35	80	60	2040	0.44	100	62	2540
TF-450S1-A240	18"	0.31	70	63	2000	0.39	90	66	2430	0.48	110	69	2960
TF-500S1-A240	20"	0.39	90	65	2290	0.50	115	68	2750	0.65	150	71	3380

Please refer to page 9 for dimension



FEATURES

- Precision, life-lubricated ball bearing system
- Operating temperature, -20 to 80°C
- Shaded-pole AC motor construction with capacitor
- Die-cast or plastic casing option
- Built-in Thermal fuse (6" and 8" model only)
- Ambient humidity : Ball bearing RH 20%-90%
: Sleeve bearing RH 20%-80%
- International standards (CE, UL certificate)

APPLICATIONS

- Vending & ventilation machines
- 19" server rack, tunnel ovens
- Industrial PC, electronic machine, automotive, tunner ovens etc

SPECIFICATIONS

Item No.	Size	Power (W)	Voltage (V)	Amps (A)	Frequency (Hz)	Air Flow (CFM)	Noise (dB)	Speed (RPM)	Dimensions (mm)
TM-080S1B-14W-A110D	3"	14/13	110/120	0.19/0.18	50/60	21/23	29/33	2400/2800	80x80x25
TM-080S1S-14W-A110D		14/13	110/120	0.19/0.18		21/23	29/33		
TM-080S1B-14W-A240D		14/13	220/240	0.12/0.11		21/23	29/33		
TM-080S1S-14W-A240D		14/13	220/240	0.12/0.11		21/23	29/33		
TM-120S1B-18W-A110D	4"	18/17	110/120	0.24/0.18	50/60	80/105	42/47	2700/3000	120x120x38
TM-120S1BT-18W-A110D		18/17	110/120	0.24/0.18		80/105	42/47		
TM-120S1S-18W-A110D		18/17	110/120	0.24/0.18		80/105	42/47		
TM-120S1ST-18W-A110D		18/17	110/120	0.24/0.18		80/105	42/47		
TM-120S1B-18W-A240D		18/17	220/240	0.13/0.11		80/105	42/47		
TM-120S1BT-18W-A240D		18/17	220/240	0.13/0.11		80/105	42/47		
TM-120S1S-18W-A240D		18/17	220/240	0.13/0.11		80/105	42/47		
TM-120S1ST-18W-A240D		18/17	220/240	0.13/0.11		80/105	42/47		
TM-121S1B-18W-A110D	4"	18/16	110/120	0.19/0.18	50/60	64/80	42/44	2000/2350	120x120x25
TM-121S1S-18W-A110D		18/16	110/120	0.19/0.18		64/80	42/44		
TM-121S1B-18W-A240D		18/16	220/240	0.12/0.11		64/80	42/44		
TM-121S1S-18W-A240D		18/16	220/240	0.12/0.11		64/80	42/44		
TM-172S1B-38W-A110D	6"	38/35	110/120	0.5/0.45	50/60	190/235	45/50	2800/3100	172x150x51
TM-172S1B-32W-A240D		32/31	220/240	0.23/0.21		190/235	45/50		
TM-172S1B-32W-A240FD		32/31	220/240	0.23/0.21		190/235	45/50		
TM-220S1B-44W-A240FD	8"	44	220/240	0.32		360	56	2400	Ø220x60

Please refer to page 9 for dimension



FEATURES

- Precision, oil impregnated sintered sleeve bearing system
- The impeller is injection molded, UL 94V-0 rating
- Operating temperature from -10 to 70°C
- Brushless DC motor
- Die-cast or plastic casing option
- Built-in Thermal fuse (selected models only)
- Ambient humidity : Ball bearing RH 20%-90%
: Sleeve bearing RH 20%-80%
- Insulation resistance : 1 minimum at 500 VAC/60Hz
(between frame and terminal)
- International standards (CE, UL certificate)

APPLICATIONS

- Vending & ventilation machines
- 19" server rack, tunnel ovens
- Industrial PC, electronic machine, automotive, tunner ovens etc

SPECIFICATIONS

Item No.	Size	Power (W)	Voltage (V)	Amps (A)	Air Flow (CFM)	Noise (dB)	Speed (RPM)	Dimension (mm)
TM-080S1B-3W-D024P	3"	2.6	24	0.13	40	35	3200	80x80x25mm
TM-080S1B-2W-D012P		2.4	12	0.20	40	35	3200	80x80x25mm
TM-120S1B-7W-D012P	4"	7.0	12	0.60	105	45	3000	120x120x38mm
TM-120S1S-7W-D012P		7.0	12	0.60	105	45	3000	120x120x38mm
TM-120S1B-8W-D024P		8.6	24	0.36	105	45	3000	120x120x38mm
TM-120S1S-8W-D024P		8.6	24	0.36	105	45	3000	120x120x38mm
TM-121S1B-6W-D024P	4"	5.76	24	0.24	88	45	3000	120x120x25mm

Please refer to page 9 for dimension





FEATURES

- High air flow volume with medium pressure
- Easy coupling with ducting
- High quality light weight steel
- Quiet and stable operation
- Voltage: 2 (220-240VAC) / 3 (380-440VAC)

APPLICATIONS

Marines, ventilation for duct, tunnel, kitchen, basement, warehouse etc

SPECIFICATIONS

Model	Size	Power (KW)	Voltage (V)	Static Pressure (PA)	Air Flow (CFM)	Speed (RPM)	Noise (dB)	Weight (KG)
TA-300S1-A240	12"	0.08	240	65	940	1400	65	11
TA-400S1-A240	16"	0.55	240	166	3120		72	22
TA-500S1-A240	20"	0.75	240	196	5470		74	28
TA-500S1-A415		0.75	415	196	5470		74	28
TA-600S1-A240	24"	2.20	240	294	11010		75	61
TA-600S1-A415		2.20	415	294	11010		75	61

Please refer to page 10 for dimension



FEATURES

- Large air volume yet quiet operation
- High quality aluminium blades for light weight and rust prevention
- Galvanised steel shutter with control for dust and water proof

APPLICATIONS

Warehouse, factories, basements, restaurants, workshops, hawker centre etc..

SPECIFICATIONS

Model	Size	Voltage (V)	Power (W)	Current (A)	Speed (Rpm)	Air Flow (CFM)	Noise (dB)
TB-1060S3-A415P3	38"	415	750	2.1	450	18800	60
TB-1380S3-A415P3	50"		1100	2.7		26100	85

Please refer to page 10 for dimension



Spare Parts & LM-TAFS Series Fan Auto Shutter

FEATURES

- Designed to ensure no loss in airflow
- Galvanised steel frame
- Suitable for TOYO Exhaust Fan
- Easy installation (Vertical mounting only)

SPECIFICATIONS

Shutter		No. of Shutter Blade	Fan Size (Fan Blade)
Model	Size		
LM-TAFS-0036	12" x 12"	3	12"
LM-TAFS-0037	15" x 15"	4	15"
LM-TAFS-0038	16" x 16"	4	16"
LM-TAFS-0039	18" x 18"	4	18"
LM-TAFS-0040	24" x 24"	5	24"

Mini Blower™

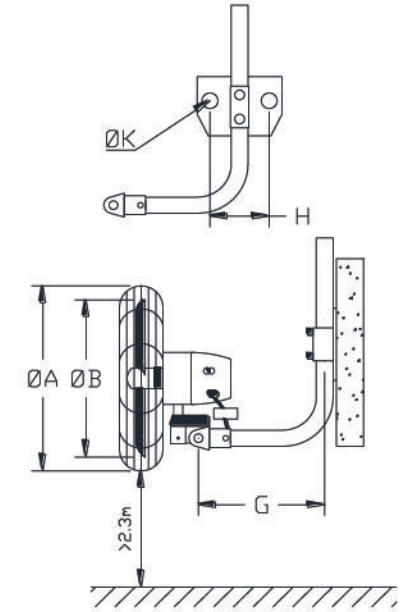
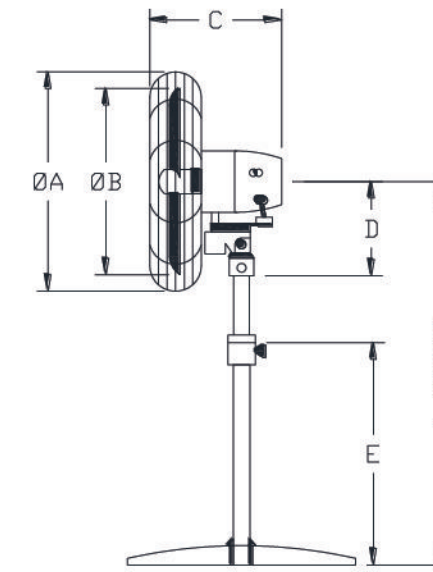
FEATURES

- Easy availability for all accessories
- Filter available in IP 44 & IP 54 rating
- AC Cord available for TM-120 series only



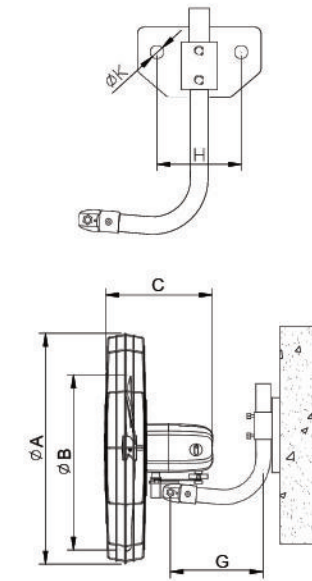
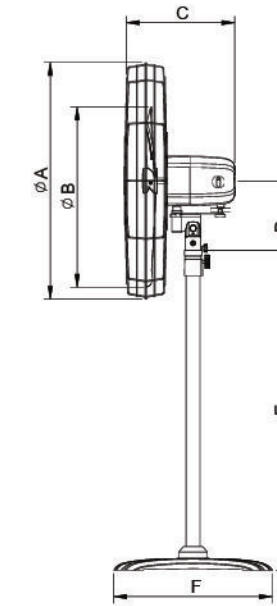
SPECIFICATIONS

Item No.	Specifications	
	Description	Application sizing
TM-080-GUARD	3" metal finger guard	80x80mm
TM-120-GUARD	4" metal finger guard	120x120mm
TM-172-GUARD	6" metal finger guard	172x150mm
TM-220-GUARD	8" metal finger guard	Ø220mm
TM-120-COVER	4" plastic cover + filter	120x120mm
TM-120-FILTER-IP44	4" air filter	120x120mm
TM-172-FILTER-IP44	6" air filter	172x150mm
TM-220-FILTER-IP44	8" air filter	Ø220mm
TM-120/172-FILTER-IP54	4" & 6" air filter	120x120mm / 172x150mm
TM-172/220-FILTER-IP54	6" & 8" air filter	172x150mm / Ø220mm
TM-120-AC CORD	Straight style power plug c/w 1 meter wire	120x120mm



T-Series

Model	A	B	C	D	E	F	G	H	K	L
TP-650S1-A240FC	715	650	360	205	1045	610	-	-	-	1600
TW-650S1-A240FC	715	650	360	-	-	-	250	125	13	-

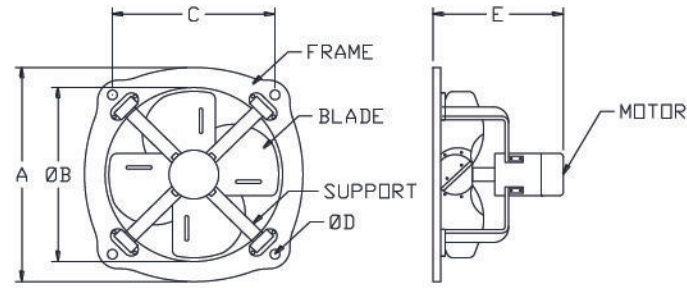


T-Series

Model	A	B	C	D	E	F	G	H	K
TP-750S1-A240F	815	750	350	205	970	632	-	-	-
TW-750S1-A240F	815	750	350	-	-	-	245	125	13.5



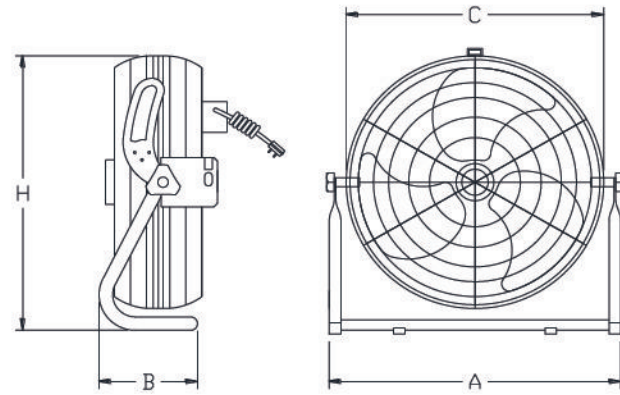
TE-Series



Model	A	ØB	C	ØD	E	Weight (KG)
TE-300S1-A240FC	390	325	308	9	225	5.7
TE-400S1-A240FC	485	415	369	9	245	6.8
TE-450S1-A240FC	560	475	435	11	340	7.6
TE-450S1-A415FC	560	475	435	11	340	10.1
TE-600S1-A240FC	700	620	590	13	401	11.0
TE-600S1-A415FC	700	620	590	13	401	11.0
TE-600S2-A240FC	700	620	590	13	401	20.5
TE-600S2-A415FC	700	620	590	13	401	20.5



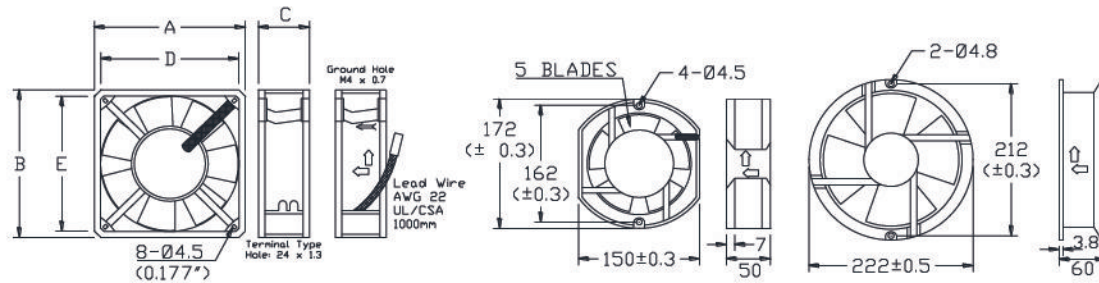
TF-Series



Model	Type	Size	A	B	C	H
TF-300S1-A240	Floor	300	390	200	360	405
TF-400S1-A240	Floor	400	520	205	460	490
TF-450S1-A240	Floor	450	530	195	495	530
TF-500S1-A240	Floor	500	620	215	560	565



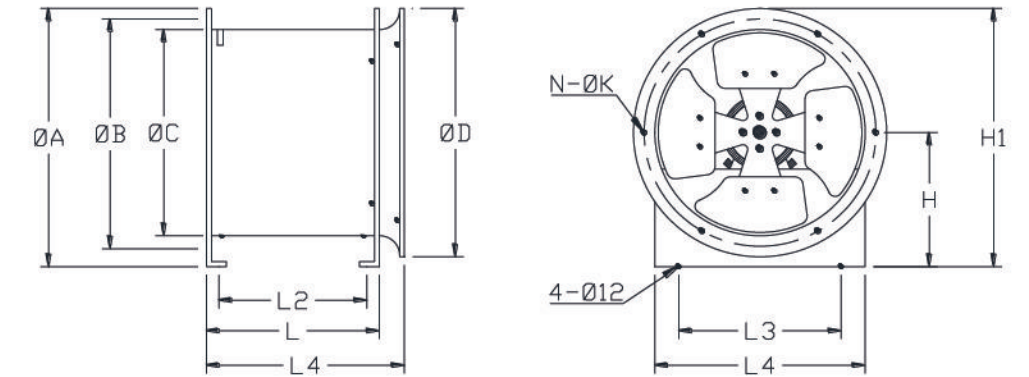
TM-Series



Model	A	B	C	D	E
TM-120S1B / TM-120S1S	119.0	119.0	38.0	104.8	104.8
TM-121S1B / TM-121S1S	119.5	119.5	25.5	104.8	104.8
TM-080S1B / TM-080S1S	80.0	80.0	25.4	71.5	71.5
TM-172S1B	refer diagram above				
TM-220S1B	refer diagram above				



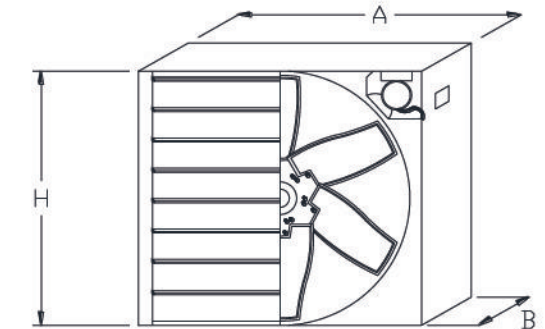
TA-Series



Model	A	B	C	D	L	L1	L2	L3	L4	H	H1	N-K
TA-300S1-A240	360	340	310	375	250	300	208	220	280	210	398	6-7
TA-400S1-A240	470	440	410	480	290	370	248	290	330	263	505	6-9
TA-500S1-A240	570	540	510	590	290	450	228	350	330	333	628	8-9
TA-500S1-A415	570	540	510	590	290	450	228	350	330	333	628	8-10
TA-600S1-A240	680	645	610	695	410	530	348	430	455	385	733	8-9
TA-600S1-A415	680	645	610	695	410	530	348	430	455	385	733	8-10



TB-Series



Model	A	B	H	Weight (KG)
TB-1060S3-A415P3	1060	400	1060	59
TB-1380S3-A415P3	1380	400	1380	85

Model Number Identification for Toyo® Series



Model Number Identification for Mini Blower Series

