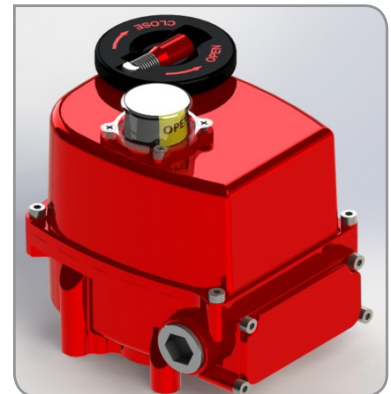
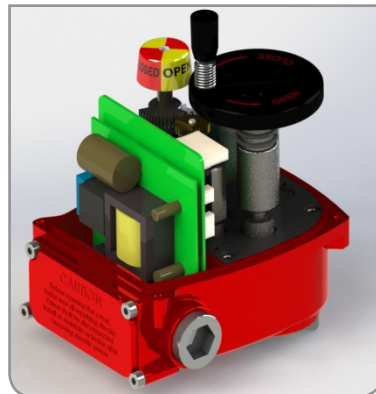
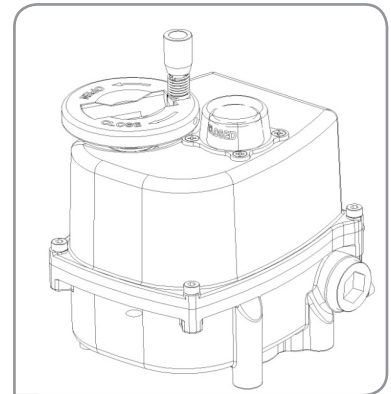
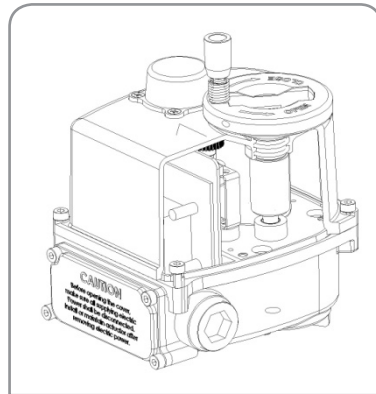
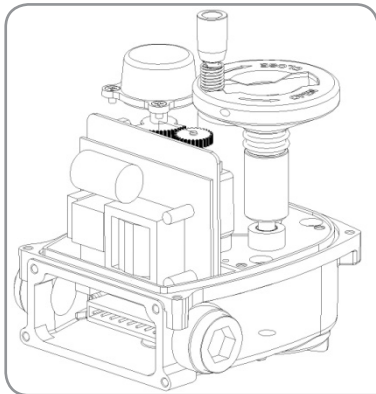


Electric Quarter-turn Actuator



(Quarter turn) **ELECTRIC ACTUATOR**

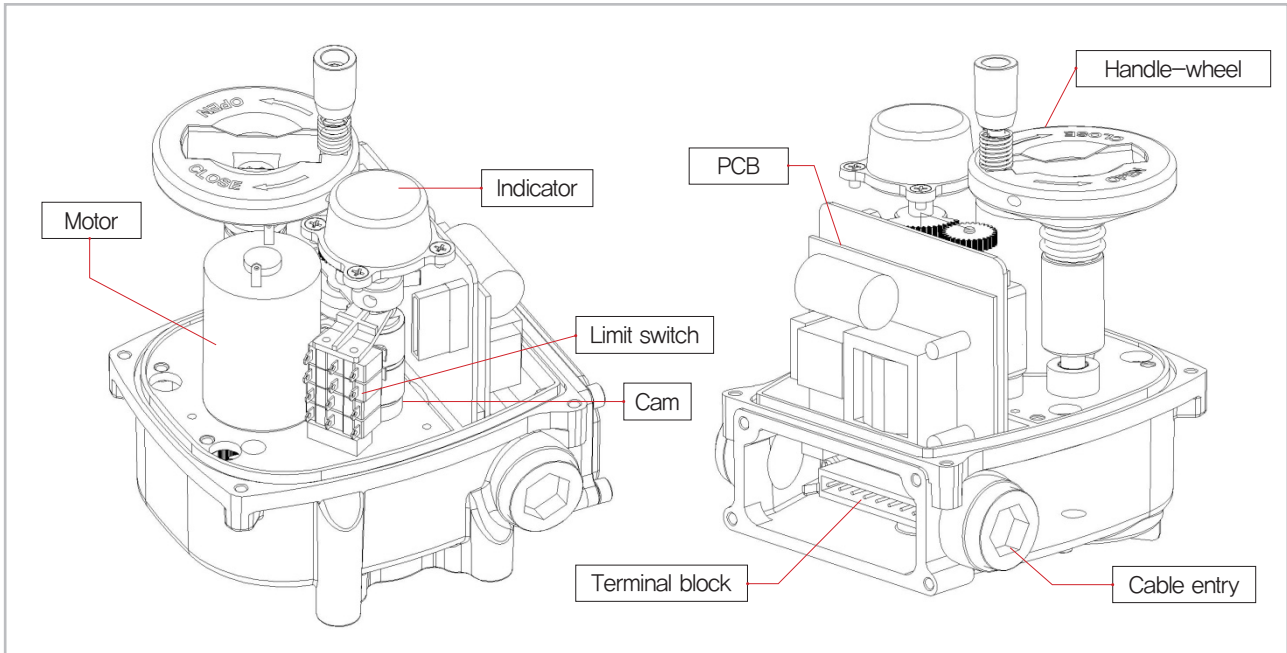
GQ – 04N

- Simple Position Indicator
- Smart & Compact Design
- With Manual Lever
- Weatherproof(IP67)
- 3-Wire Type
- 4-Wire Type

GINICE Co., Ltd.

Electric Quarter-turn Actuator

► Structure



► Features

- Compact & Durable Structure
- Weather-proof type(IP67) against water or dust
- Easy and Simple Manual Operation with Handle-Wheel
- Quick & Safe connecting : Plug-In Wire connector
- Flexible Mounting Base : ISO5211, F05/07 with 14mm Double Square

► Ordering code

GQ - 04N - X X X X

04N : 4Kg.m

① 11x11
② 14x14

① Standard(on-off)
② PCU(Proportional Control Unit)

① AC (95 ~ 245V)
② AC / DC 24V

① IP 67
② IP 68

Electric Quarter-turn Actuator

► Performance

Model	Output Torque		Operating Time 50/60Hz	Supplying Power (50/60Hz, 1 phase)	Duty Cycle IEC 34-1	Electric Motor IEC 34-1	Mounting (ISO 5211)	Bottom Bore (mm)	Weight
	Kg.m	N.m	90°						
GQ - 04N	4	40	13 sec	V1=95V~245VAC (free) V2=24V AC/DC	S4 50%	S2 30MIN	F05/F07	14 x 14	1, 2Kg

► Specification

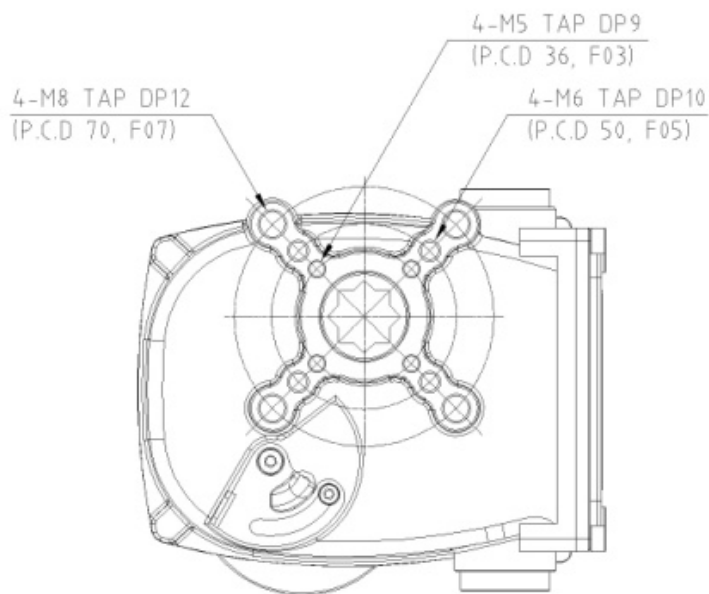
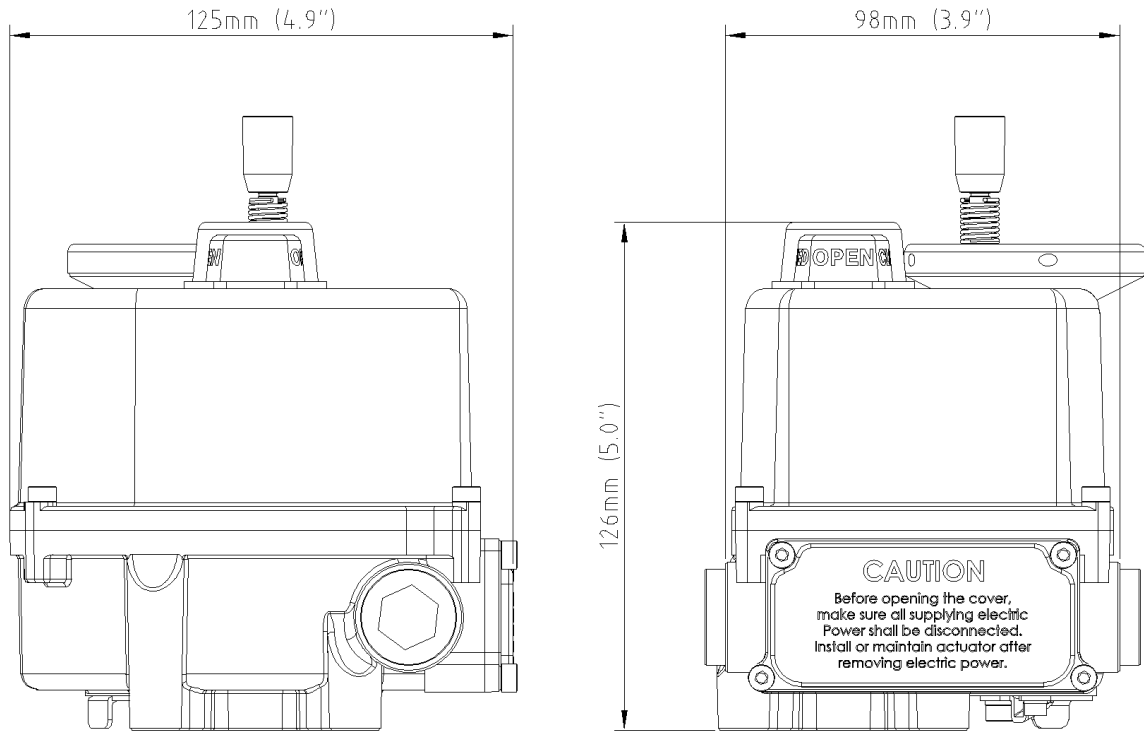
Model	GQ - 04N	GQ - 04N(P)
Enclosure	WEATHER PROOF IP67	
Supplying power	95~245VAC 1PH 50/60Hz ±10%, AC or DC 24V ±10%	
Motor	EnclosureS2 30Min	S4 50% 1200 Start/hour
Input/Output Signal	DC 4~20mA, 0~10V, 2~10V	
Insulation Resistance	500V DC, 50M/ohm	
Input/Output Position Conversion Accuracy	±1%	
Limit switch	SPDT 250VAC 3A, 125VAC 5A	
Manual override	17 Turn	
Space heater	1W	
Ambient Temperature	-20°C~+60°C	
Ambient humidity	90% RH Max. (non-condensing)	
Cable entry	TERMINAL BOX TYPE (PF ½"),(M20 1.5P)	
Materials	Aluminum alloy	
Bottom Flange ISO5211 Code	F03, F05, F07	
Bottom Bore	14 X 14	
Operation Time(No Load)	13sec.	
INDICATOR	DOME TYPE MECHANICAL INDICATOR	
TRAVEL ANGLE	90° ±5°	

► Standard Selection

Valve Actuator	2-Way ball valve 3-piece	2-Way ball valve 1-piece	3-Way ball valve
GQ - 04N	8A(1/4") ~ 32A(1 1/4")	15A(1/2") ~ 32A(1 1/4")	8A(1/4") ~ 25A(1")

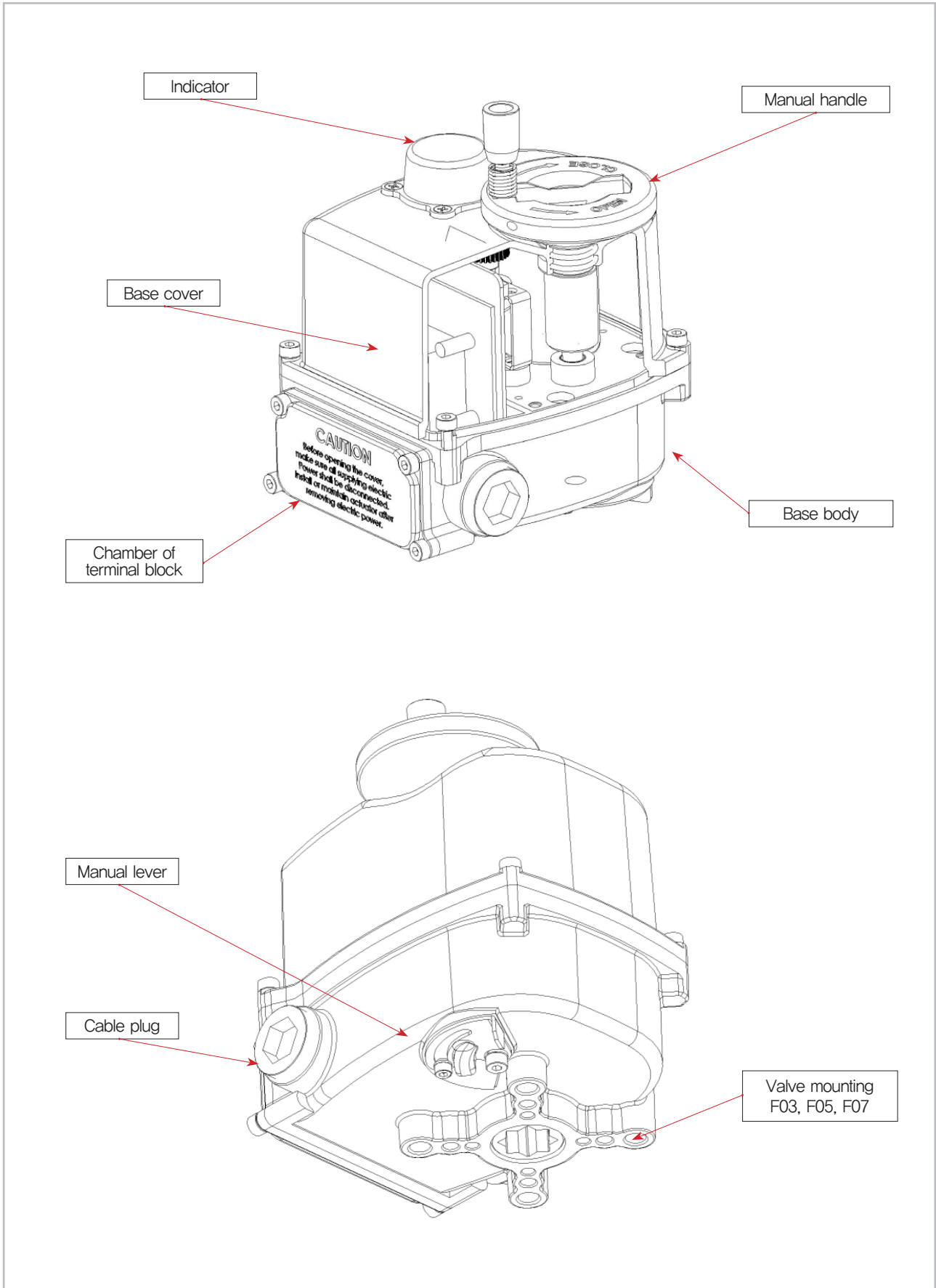
Electric Quarter-turn Actuator

▶ Outline dimension



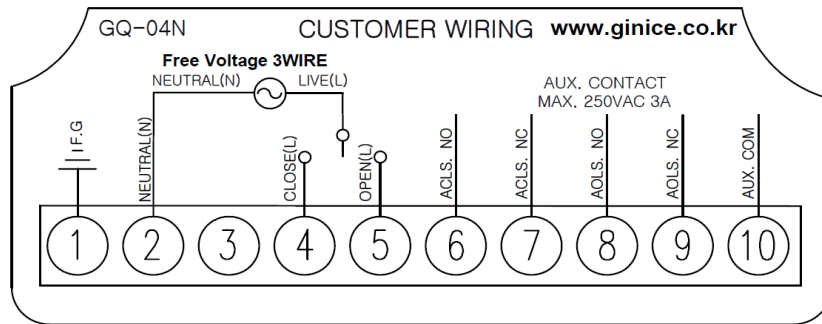
Electric Quarter-turn Actuator

► Construction

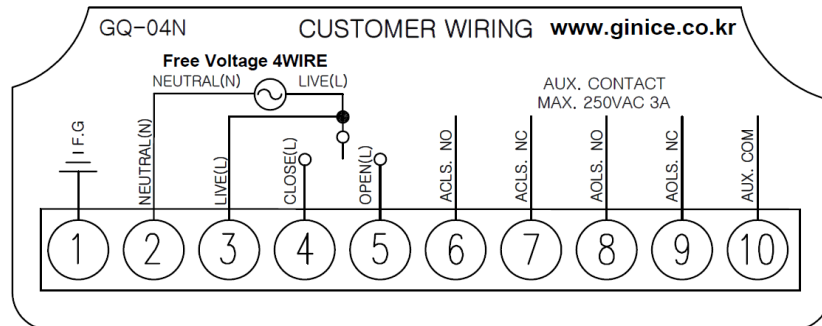


Electric Quarter-turn Actuator

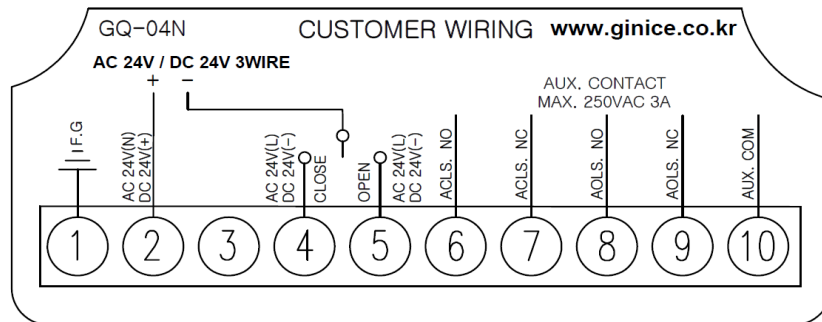
▶ Connection wiring



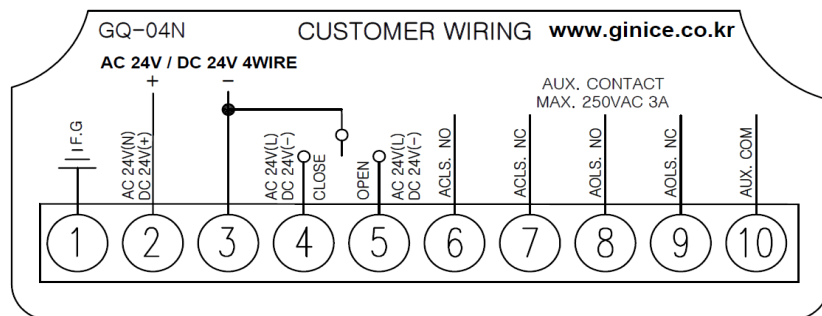
AC Free voltage 3WIRE (ON-OFF)



AC Free voltage 4WIRE (ON-OFF)



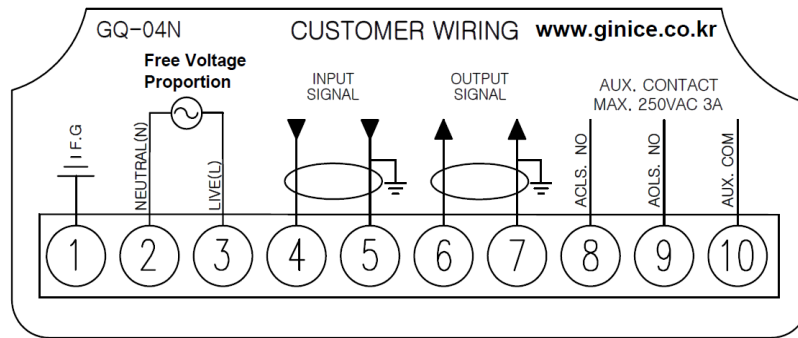
AC/DC 24V 3WIRE (ON-OFF)



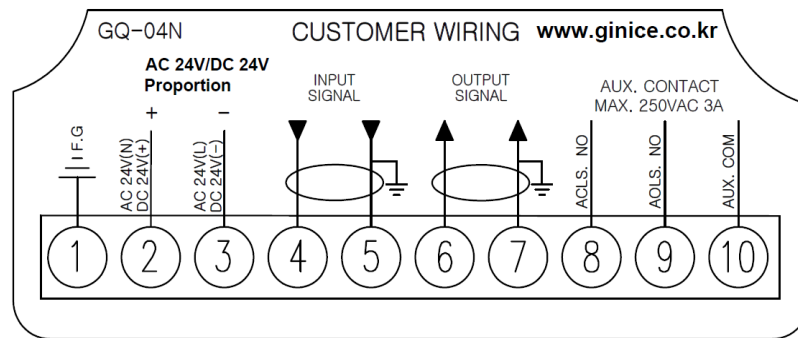
AC/DC 24V 4WIRE (ON-OFF)

Electric Quarter-turn Actuator

▶ Connection wiring

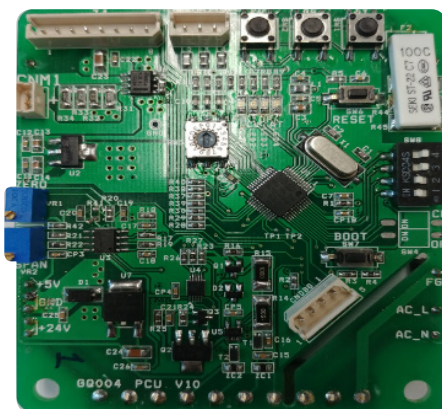


AC Free voltage (Proportion)



AC 24V/DC 24V (Proportion)

▶ Proportional Control Unit



- Power : 95~245VAC, 50/60HZ
4VA Max – Changeable by DIP switch
- Input signal : 4~20mA, 0~10VDC, 2~10VDC
- Output signal : 4~20mA, 0~10VDC, 2~10VDC
- Auto setting, dead band, delay time setting etc.



GINICE CO., Ltd.

GINICE Bldg, 186Beon-gil, Bucheon-ro, Bucheon-City, Gyeonggi-do, Korea.

TEL : +82-32-666-9946 | FAX : +82-32-666-9949

E-mail : ginicegood@ginice.co.kr / www.ginice.com

GINICE FACTORY

92, Yulsaengjungang-ro, 206beon-gil, Daegot-myeon, Gimpo-si, Gyeonggi-do, Korea

We reserve the right to change or modify specifications, features, options, dimensions, or materials without prior notice.