



WHERE SECURITY &  
TECHNOLOGY MEET

## 2.0MP Full HD Mini IR Bullet IP Camera

2.0 Megapixel Full HD IR Bullet, 1080p@30fps, 3.6mm Fixed Megapixel Lens, POE, IR LED: 15M



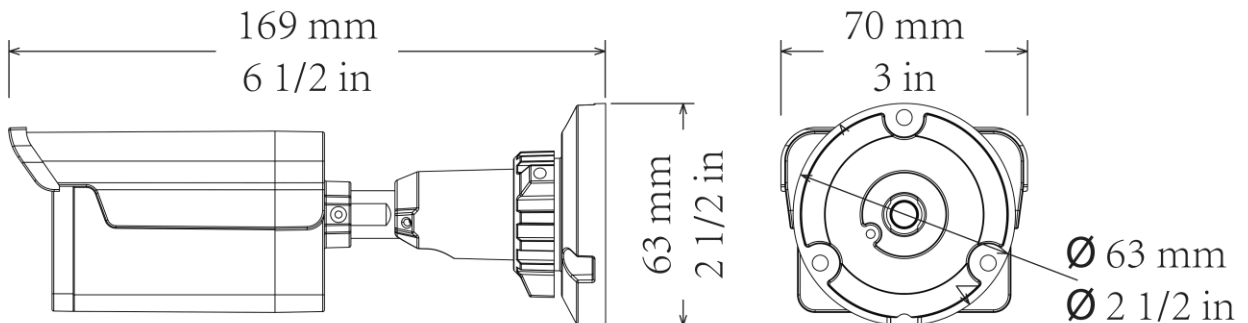
### Model

TITANUS IPS-BS201B-P

### Features

- 2.0MP, 1/2.8" SONY Exmor Sensor
- 3.6mm Fixed Megapixel IR Corrected
- 15 meters effective IR distance
- Internal micro SD Memory slot
- True color filter for best day / night image
- Low power for longer life span
- Reset Button
- Status Power LEDs
- Support POE

### Dimension



## SPECIFICATIONS

MODEL	IPS-BS201B-P
<b>CAMERA</b>	
Sensor	1 /3" CMOS sensor
Pixel	2.0 Megapixel
Resolution	1920 x 1080 / 30fps
Min. Illumination	Color: <a href="#">0.2Lux@F1.2</a> ; B/W: 0.01Lux ; 0 Lux with IR
Day/ Night	True Day / Night with ICR Filter
WDR	Support
Electronic shutter	Auto / User 1/5 - 1/50,000 ; 50/60Hz software selectable
LENS	3.6 mm Fixed Megapixel IR Coated
Field of View (H / V / D)	77° / 54° / 100.2°
Video Output	Setup / Service BNC Video supported internal connector with dangle cable supplied
IR Distance	15 meters
IR LED	2pcs High Powered Super Flux LED 850nm
<b>VIDEO</b>	
Video Compression	H-264 / MJPEG
Quality Setting	1-9 (9 Highest)
Brightness / Sharpness	Variable 0~100 / 0~100
Gain Control	Auto / Fixed 8~102dB
Orientation	Horizontal Mirror / Vertical Flip
Text Overlay	Time / Date / Camera / Custom OSD
<b>NETWORK</b>	
Ethernet	1 Ethernet (10/100 Base-T) RJ45 Connector
TCP/ IP	IPv4 / IPv6 (DHCP / Fixed)
Compliance	Onvif v2.2 (Profile S)
RTSP Video	Standard RFC2326, Support Quicktime / VLC Player. User security authentication (Enabled / Disabled)
Web Language	English, Chinese, Russian, Polish
Recording Simultaneous	Local Micro SD Memory, Remote FTP server, TCP/UDP CMS, RTSP connection
Network Protocols	HTTP, TCP/IP, UDP/IP, RTSP, FTP, DHCP, NTP, PPPoE, NTP. Unicast and Multicast supported. Video streaming from SDK & NVMS / NVR software or 3rd party applications
<b>GENERAL</b>	
Power	12V DC @ 335mA / PoE 802.3af Class 2 2.5W / Max 5.9W (LED On)
Temperature	Operating: 14°F to 131°F (-10°C to 55°C) Storage: -4°F to 140°F (-20°C to 60°C)
Operating Humidity	10% - 85% RH
Approvals	CE / FCC / RoHS Compliant
Dimensions	169mm x 70mm x 63mm
Product Weight	480g