

**IR-550P**



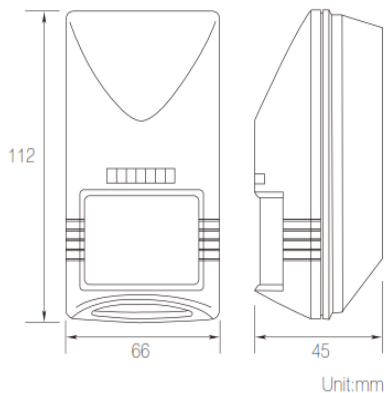
**IR-550P**



The IR-550P PEGASO is a passive infrared detector with pet immunity detection. Utilizing patent pending Target Size Verification (TSV) technology, this state-of-the-art motion detector is able to immune the detection of domestic pets up to 18kg.

It shares the same housing with other 550 series sensors. System designer can easily select various sensors to harmonize the interior decor with uniform appearance.

This detector provides every security professionals the leading edges with its superior reliability in intrusion detection.



**FEATURES**

- Target Size Verification (TSV) technology
- Superior RFI and EMI immunity
- Temperature compensation
- Noise reduction circuit
- Sealed optics protection
- Disabled walk test LED
- Ultra wide wiring space
- Selectable pulse count
- NC/NO selectable alarm output
- Up to 18kg pet immunity detection

**SPECIFICATIONS**

Power supply	9~16VDC, 12VDC typical
Current drain	NC: 5mA, NO: 15mA @ 12VDC
Infrared sensor	Dual element
Alarm period	1.5~2.5 sec.
Alarm output	NC/NO, 30VDC, 0.2A max.
Detection range	110°, 12m @ 25°C
Detectable speed	0.3~1.5m/sec.
Mounting height	2.2~2.4m, 2.3m typical
Pulse count	2/3 selectable
Tamper protection	NC, cover open trigger
Walk test	Red, can be disabled
RFI immunity	Ave. 20V/m (10 ~ 1000MHz)
Humidity	Max. 95% RH
Temperature	-20°C~60°C (-4°F~140°F)
Dimensions	112 x 66 x 45mm

**DETECTION PATTERN**

