

CADC560

HIGH RESOLUTION MINI DOME CAMERA

Honeywell Vista series CADC560 high resolution mini dome camera is designed for commercial and residential surveillance, and is ideal for any indoor applications. The CADC560 features a high resolution with 560 TV lines and outstanding image sharpness.

The CADC560 comes completely assembled and ready-to-use to maximize installation flexibility – the camera fits perfectly in any locations on ceiling and covert corner.

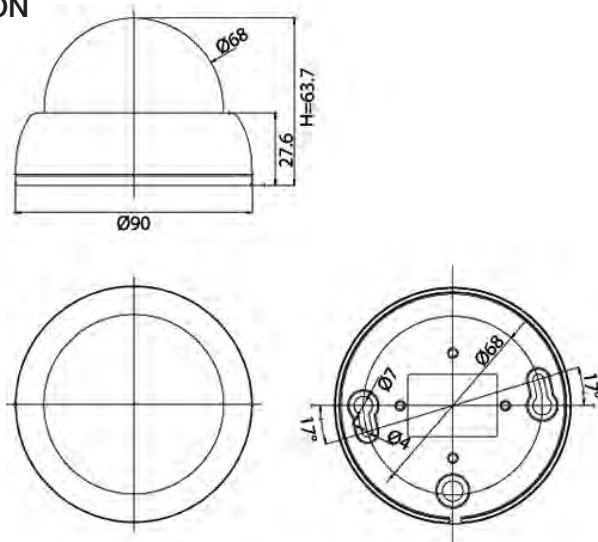
Market Opportunities

The CADC560 is an ideal selection for surveillance solution, which provides property owners a peace of mind security tool to protect their residential apartment, commercial buildings, retail stores, elevators, offices, warehouses, shopping malls and clinics.

FEATURES

- 1/3" SONY Super HAD CCD
- 560 TV lines
- Optional 2.5mm, 3.8 mm, 6mm fixed lens
- 0.05 Lux (F1.2, 30IRE)
- AGC, ATW, BLC
- 12 VDC input voltage

DIMENSION



unit: mm



CADC560

www.telefeeling.com
www.black.honeywell.com

HIGH RESOLUTION MINI DOME CAMERA

SPECIFICATIONS

Model	CADC560P-25	CADC560P-38	CADC560P-60	CADC560N-25	CADC560N-38	CADC560N-60
Image Sensor	1/3" SONY Super HAD CCD					
Signal System	PAL			NTSC		
Effective Pixels	752(H) x 582(V)			768(H) x 494(V)		
Horizontal Resolution	560 TV lines					
Minimum Illumination	0.05Lux (F1.2, 30IRE)					
S/N Ratio	More than 50dB					
AES	1/50 – 1/100,000 sec (PAL)			1/60 – 1/100,000 sec (NTSC)		
White Balance	Auto					
AGC	Auto					
BLC	Auto					
Gamma Correction	0.45					
Sync Mode	Internal					
Lens	2.5mm	3.8 mm	6.0mm	2.5mm	3.8 mm	6.0mm
Video Output	1.0 Vp-p,75 Ohm					
Input Voltage	12VDC					
Current Consumption	150 mA					
Operation Temperature	-10°C~45°C under 30- 80%RH (non-condensing)					
Dimension	Ø 90X64					
Weight	116g					
Certificate	CE					

ORDERING

CADC560P-25	High Resolution Mini Dome Camera, 560 TVL, 0.05 Lux/F1.2, Electronic Day/Night, Optional 2.5mm, 3.8 mm, 6.0mm , PAL, 12 VDC
CADC560P-38	
CADC560P-60	
CADC560N-25	High Resolution Mini Dome Camera, 560 TVL, 0.05 Lux/F1.2, Electronic Day/Night, Optional 2.5mm, 3.8 mm, 6.0mm , NTSC, 12 VDC
CADC560N-38	
CADC560N-60	

For more information:

Security Hong Kong
Security Australia National Sales Hotline
Security India

Tel: (852) 2405 2323
Tel: 1300 765 532
Tel: (91) 124 4029800

www.black.honeywell.com
security.black@honeywell.com

Honeywell Security Group
Automation & Control Solutions
Honeywell International Inc.
www.security.honeywell.com

May 2011
© 2011 Honeywell International Inc.

Telefeeling Communication Sdn Bhd
Tel : 03-9131 3030
Fax : 03-9133 2030
info@telefeeling.com
www.telefeeling.com

Honeywell