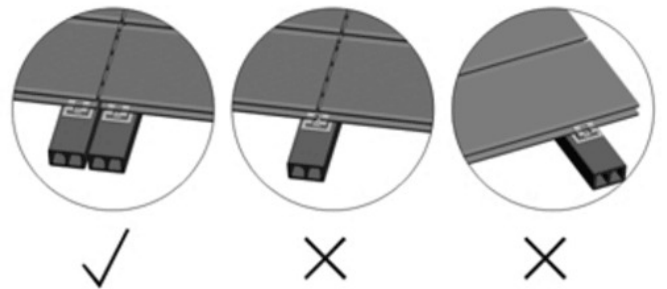
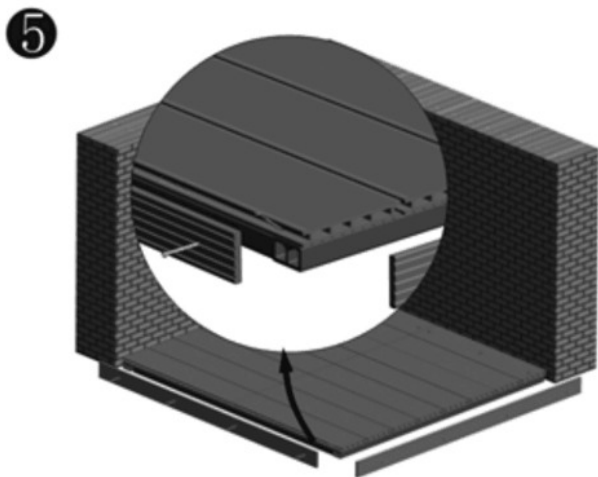
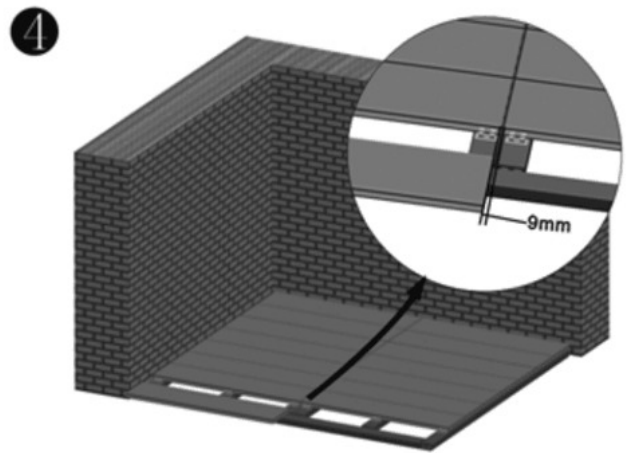
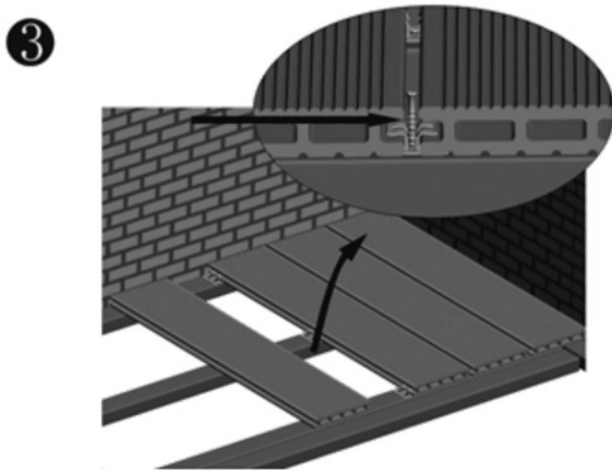
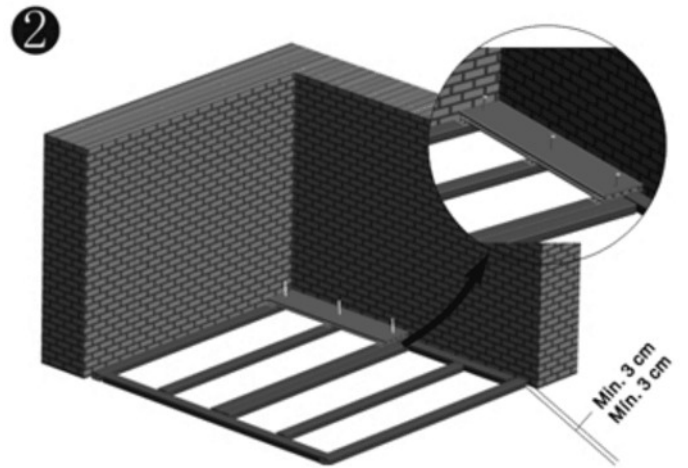
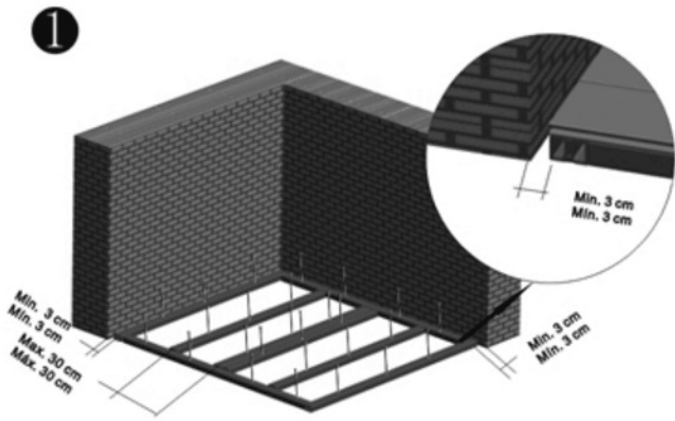


Decking Installation Method



Wood Plastic Composite Product Surface Cleaning

NO	Type	Solution
1	Dust / Dirt	With stiff brush dipped in hot soapy water to wash
2	Mildew Spot	With ordinary wooden product mildew agent to scrub /use bleach to clean /use clean wall wipe with stain directly
3	Chalk Mark	In addition to the white chalk , other colors can not be removed once printed up , you can use the hot soapy water with bleach stains to remove it
4	Ice / Snow	Use calcium chloride or rock salt to melt ice of snow , then wash it with hot soapy water to clean it
5	Stain , Soil	Put detergent containing oxalic acid or phosphoric acid to the stain 10-15 minutes , then clean it
6	Oil Stain	Once seeing stain , do not hesitate to use household cleaning product and hot soapy water to clean it
7	Berry / Wine Stain	Mixing bleach and hot soapy water to dilute the stain , then wash it
8	Ink Stain	Maybe Ink stains can not be moved , mixing bleach and hot soapy water to dilute the stain , then wash it , it can be diluted

We recommend cleaning wood plastic composite flooring regularly, in order to prevent the dust to affect the appearance of floor . It is more difficult to clean the stain if long time no removed . If there is a stain on the wood plastic composite flooring , you are uncertain which cleaning method can be done , we suggest you clean small part of the stain to test whether it is the best way . It can avoid big color difference . If the result is good , then clean it use this method .

You can use tap water to wash dust , dirt or mud on the wpc flooring