

# LCP-50S / LCP-51S

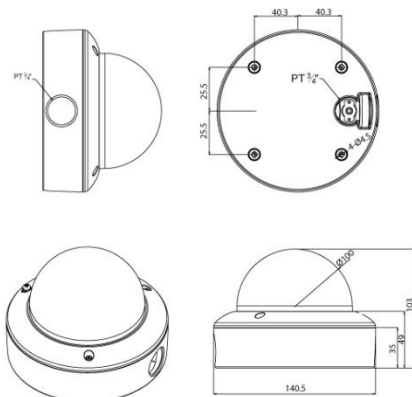
**M** IV



## FEATURES

- 1/3" High Sensitivity CCD (960H)
- High Resolution : 700 TV Lines
- Fixed Lens (f=3.6mm)
- Built-in IR LEDs (28EA)
- D.WDR, DSS, 3D-DNR
- OSD, AWB, AGC, BLC, Flickerless
- HLC, DEFOG
- Motion Detection, Privacy Zone, Mirror Function
- Extra Video Out Port for Installer
- Coaxial Communication(Pelco-C)
- 4-Axis Movement for Free Lens Rotation
- Vandal-Resistant Dome Housing, IP66
- 12VDC

## DIMENSIONS



## SPECIFICATIONS

	LCP-50S	LCP-51S
Signal System	NTSC	PAL
Scanning System	2:1 Interlace	
Sync. System	Internal	
Scanning Frequency (H) / (V)	15.734 kHz / 59.94 kHz	15.625 kHz / 50 Hz
Image Sensor	1/3" High Sensitivity CCD (960H)	
Total / Effective Pixels	976(H) x 494(V) 480K	976(H) x 582(V) 570K
Horizontal Resolution	700 TV Lines	
Lens	Fixed Lens (f=3.6mm)	
S/N Ratio	More than 52dB (AGC Off)	
Digital Slow Shutter	Off/ ~512x FLD	
Day & Night Type	Electronic Sensitivity-up(DSS)	
IR LED and Sensor	IR LED 28EA (850nm, 45°), Sensor 1EA, Max. 20m	
Min. Illumination	0.05 Lux (Color), 0.00001 Lux (DSS On) 0.005 Lux (B/W, ICR), 0.000005 Lux (B/W, DSS On), 0.00Lux(IR LED On)	
Digital Noise Reduction	3D-DNR(Low, Middle, High, Off)	
D. WDR	Off, Low, Middle, High	
White Balance	ATW, Push, Manual	
AGC	0~20	
OSD	ENGLISH, KOREAN, JAPANESE, CHINESE1 & 2, SPANISH, GERMAN, FRENCH, POLISH, ITALIAN, PORTUGUESE, CZECH, TURKISH, HUNGARIAN, GREEK	
HLC, BLC, Defog	Off, Low, Middle, High	
Mirror Function	On/Off (Horizontal)	
Privacy Zone	On/Off (8 Programmable Zone)	
Motion Detection	On/Off (4 Programmable Zone)	
Communication	Pelco Coaxitron (Pelco-C)	
Shutter Speed	1/60~1/120,000 Sec.	1/50~1/120,000sec.
Supplied Voltage	DC9V~15V (Recommendation DC12V ±10%)	
Power Consumption	Max. 4W/360mA	
Dimensions (WxØxH)	140 x 100 x 103 mm	
Weight	Approx. 844g	