

ITL5 Series Signal Tower Light



Ø52 mm

LED

dB 85

PLC 支持



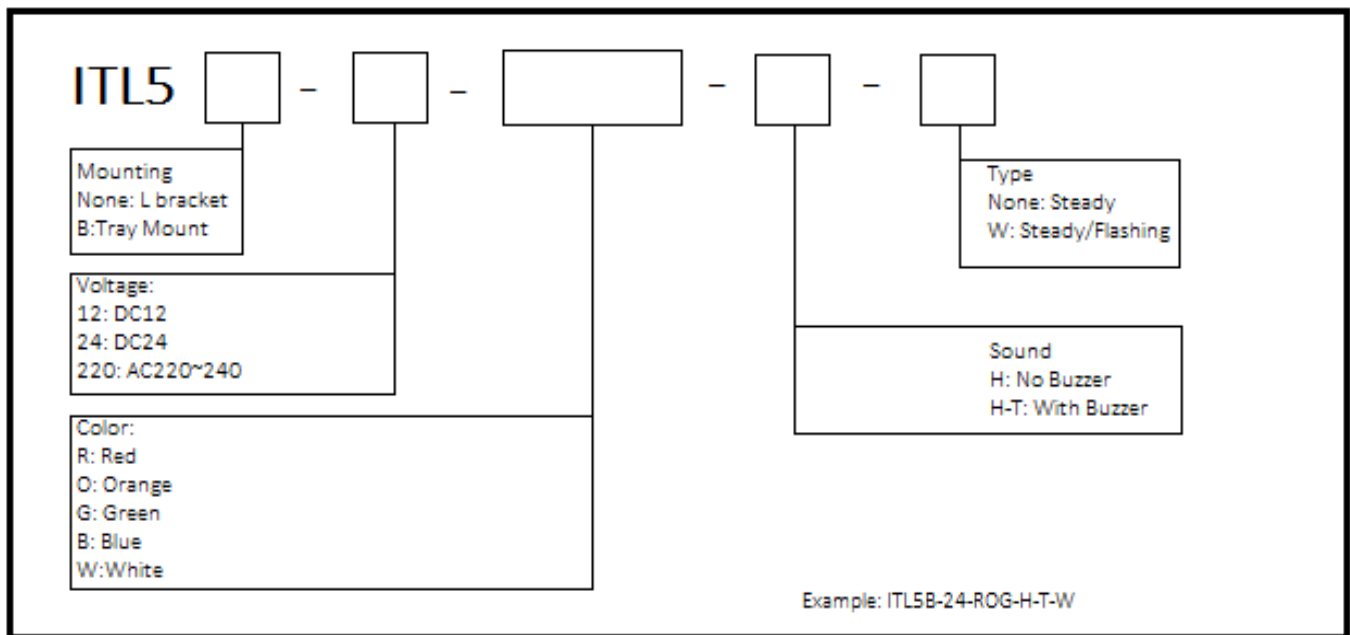
ITL5

ITL5B

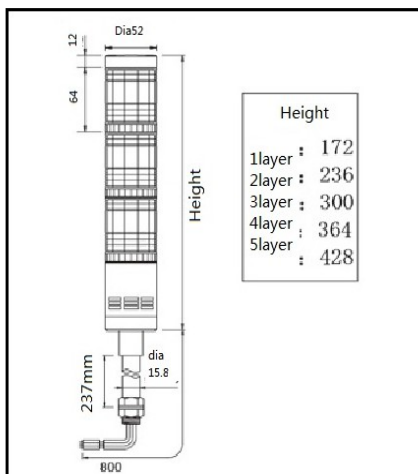
Features:

- High brightness LED
- Energy saving
- Longer lifespan
- High visibility
- 85dB buzzer
- Body: ABS, Lens: PC

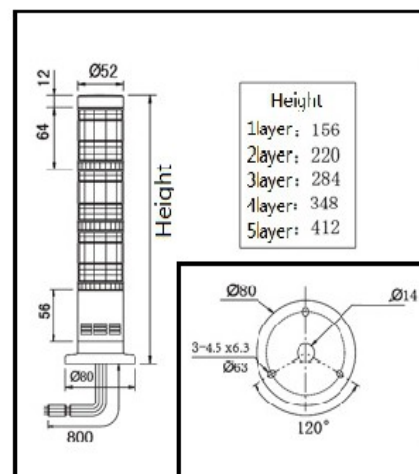
Order Information:



Dimension:



ITL5



ITL5B