

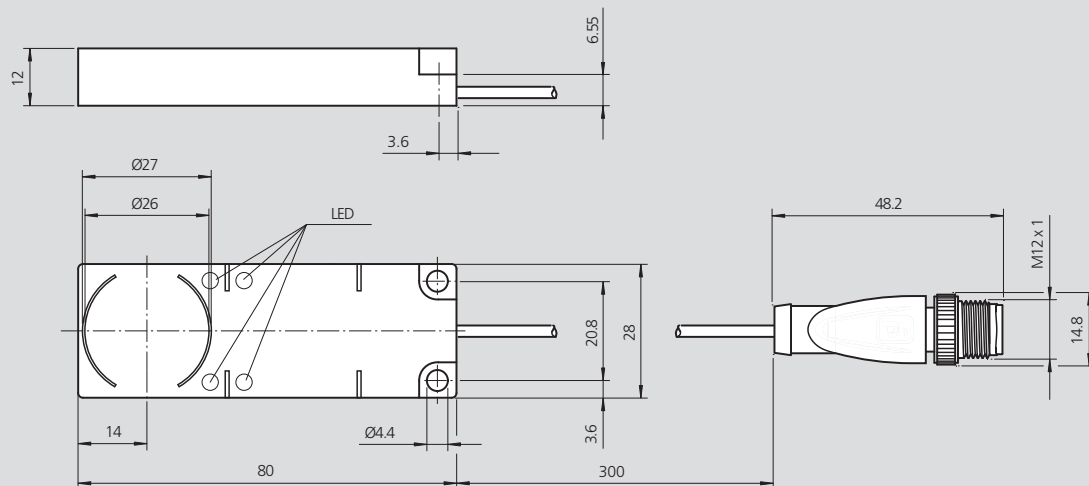


### Application/customer benefits

- RFID read/write stations with IO-Link interface
- Frequency range 13.56 MHz according to standard ISO15693
- The unit supports transponders according to standard ISO 15693
- Plug and Play - Easy integration
- Proven and flexible recognition system
- LEDs for function display
- Particularly flat design
- Mountable on metal

### Technical features

- Protection class IP67
- Connection Plug connector M12 x 1
- IO-Link interface V1.1 (COM 3)
- Read / write distance 0 - 55 mm
- Dimensions 80 x 28 mm
- Operating frequency 13.56 Mhz



Subject to technical changes.  
For more detailed information please ask our customer service.

SMW-electronics Type	RFID read / write station
Id. No.	0E011400
General data	
Operating frequency	13.56 MHz
Transmission rate	26 kBit/s
Read distance	0 ... 55 mm
Write distance	0 ... 55 mm
Functional safety characteristics	
MTTF <sub>a</sub>	280 a
Diagnostic coverage (DC)	0 %
Displays / controls	
LED green	ON: Power ON / flashing: IO-Link communication
LED yellow	Data carrier detected
LED red	Flashing: IO-Link communication disturbed
LED blue	Write / read attempt is being carried out
Interface	
Interface type	IO-Link
Mode	COM 3
Environmental conditions	
Ambient temperature	-25 ... 70°C (-13 ... 158°F)
Mechanical data	
Protection class	IP67
Connection	Connector M12 x 1