

## 雙數顯通用型光纖放大器 (Dual digital display, universal fiber amplifier)

### Feature/特点:

1. 採用雙數顯數碼管顯示;  
(Dual digital and two colors number display)
2. 操作簡單、方便;  
(Easy use and install)
3. 性價比高; 靈敏度高;  
(Good value, high sensitivity)



### Specifications/規格表

		紅色光源 (Red light)		綠色光源 (Red light)		出線 (cable type)
		NPN輸出(Output)	PNP輸出(Output)	NPN輸出(Output)	PNP輸出(Output)	
		FF-303	FF-303P	FF-303G	FF-303GP	
		FF-303D	FF-303PD	FF-303GD	FF-303GPD	M8連接器(connector type)
電源電壓 (Power supply voltage)		12-24VDC±10%脈動P-P 10%以下 (Pipple P-P 10% or less)				
消耗電流 (Power consumption)		40mA以下 (40mA below)				
檢測輸出 (Output)		NPN輸出型 (NPN output)			PNP輸出型 (PNP output)	
		NPN開路集電極晶體管 (NPN open-collector transistor)			PNP開路集電極晶體管 (PNP open-collector transistor)	
		最大輸入電流: 100mA (The maximum import current: 100 mA)			最大輸入電流: 100mA (The maximum import current: 100 mA)	
		外加電壓: 30VDC以下 (External voltage: 30VDC)			外加電壓: 30VDC以下 (External voltage: 30VDC)	
		剩餘電壓: 1.0V以下 (流入電流50mA時) Residual voltage: 1.0V below (at 50mA current)			剩餘電壓: 2.0V以下 (流入電流100mA時) Residual voltage: 2.0V below (at 100mA current)	
		0.4V以下 (流入電流16mA時) 0.4V below (at 16mA current)			1.0V以下 (流入電流16mA時) 1.0V below (at 16mA current)	
	操作輸出 (Action setting)	檢測時ON或非檢測時ON, 可通過按鍵設置。 (Detection ON or non-detection is ON, can be set by pressing a key.)				
	短路保護 (Short circuit protection)	裝備 (Circuit protection)				
自我診斷 (Self diagnosis)		不穩定檢測時輸出ON, 該信號持續的40ms (輸出短路時自動切斷輸出, 保護信號持續到短路解除) Instability detection output ON, the signal continued 40ms (cut off the output automatically, output short circuit protection signals continued to short-circuit state off)				
反應時間及開關頻率 (Reaction time and switching frequency)		普通型: 開關頻率1KHz, 反應時間: 500us Normal type: switching frequency 1KHz, reaction time: 500us				
檢測距離 (Detecting distance)	紅色光源 (Red light)	漫反射檢測距離: 200mm (直徑1mm的纤芯) Diffuse reflectance detection range: 200mm (1mm diameter fiber core)				
		對射檢測距離: 1200mm (直徑1mm纤芯) Through-beam detection range: 1200mm (1mm diameter fiber core)				
	綠色光源 (Green light)	漫反射檢測距離: 700mm (直徑1mm的纤芯) Diffuse reflectance detection range: 700mm (1mm diameter fiber core)				
		對射檢測距離: 400mm (直徑1mm纤芯) Through-beam detection range: 400mm (1mm diameter fiber core)				
延時功能 (Time delay function)		約5ms、50ms、500ms、5s及無延時輸出, 五種延時可通過按鍵設置。 (5ms, 50ms, 500ms, 5s or 0s output, five types of delay can be set by pressing a key.)				
發射功率 (Transmission power)		100%、50%、25%、12%四種發射功率可通過按鍵設置。 (100%, 50%, 25% or 12% four transmit power through the key settings.)				
使用環境溫度 (Ambient temperature)		-10+50°C (注意不可結霜擬霜) 存儲: -20+70°C (-10+50 ° c (not to be frost) storage: -20+70 ° c)				
使用環境濕度 (Ambient humidity)		35-85%RH, 存儲: 35-85%RH (35-85%RH, storage: 35-85%RH)				
材質 (Material)		外殼: PC+ABS, 外罩: 聚碳酸酯, 光纖固定杆: PC (Shell: PC+ABS, cover: Polycarbonate, fiber optic fixed pole: PC)				
附件 (Accessories)		(放大器安裝支架): 1个 (Amplifier mounting bracket): one pc				

光纖傳感器  
(Fiber Optic Sensors)

光纖管  
(Fiber optic tube)

光纖聚焦鏡  
(Fiber Focus Lens)

接近開關  
(Proximity switches)

光電開關  
(Photoelectric switch)

標籤傳感器  
(Label sensor)

光幕傳感器  
(Light curtain)

激光對準線  
(Laser alignment)

壓力傳感器  
(Pressure sensor)

磁性開關  
(Magnetic switch)

連接器  
(Connector)

激光傳感器  
(Laser Sensor)

色標傳感器  
(Color sensors)

激光位移傳感器  
(Laser displacement sensor)

導軌式電源  
(Rail Power Supplies)

固態繼電器  
(Solid State Relay)

光纖傳感器  
(Fiber Optic Sensors)

FF-12

FF-303

FF-301/FF-302

光纖傳感器  
(Fiber Optic Sensors)

光纖管  
(Fiber optic tube)

光纖聚焦鏡  
(Fiber Focus Lens)

接近開關  
(Proximity switches)

光電開關  
(Photoelectric switch)

標籤傳感器  
(Label sensor)

光幕傳感器  
(Light curtain)

激光對準線  
(Laser alignment)

壓力傳感器  
(Pressure sensor)

磁性開關  
(Magnetic switch)

連接器  
(Connector)

激光傳感器  
(Laser Sensor)

色標傳感器  
(Color sensors)

激光位移傳感器  
(Laser displacement sensor)

導軌式電源  
(Rail Power Supplies)

固態繼電器  
(Solid State Relay)

光纖傳感器  
(Fiber Optic Sensors)

FF-12

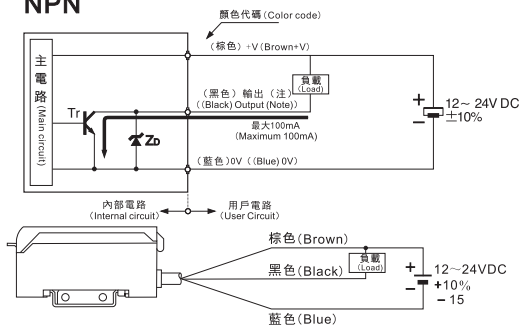
FF-303

FF-301/FF-302

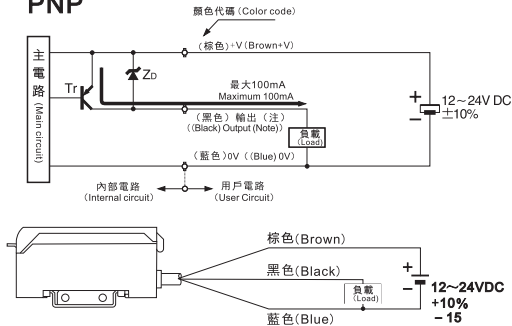
雙數顯通用型光纖放大器

Wiring schemes/ 接線圖

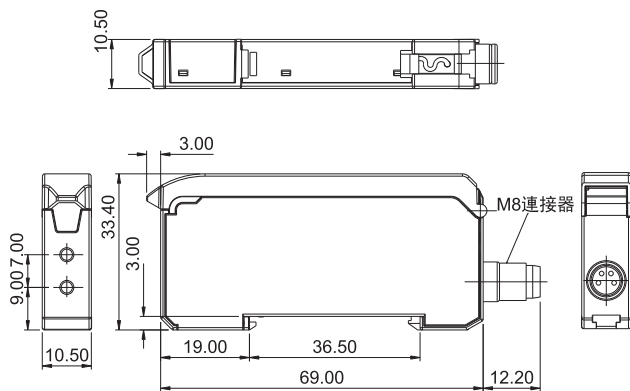
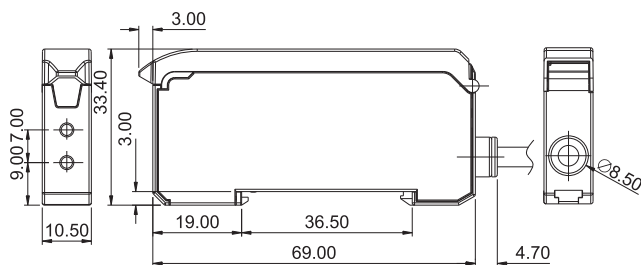
NPN



PNP

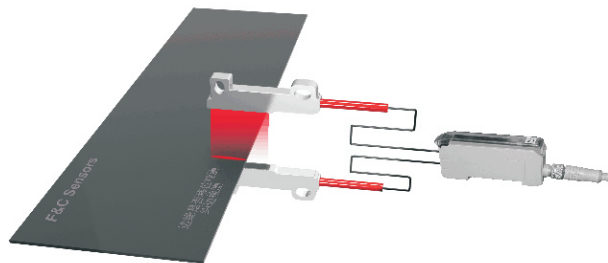


DiMensions/外型尺寸圖 (單位:mm)



Product Application/ 产品应用

糾偏檢測功能  
Corrective detection function



檢測透明物體  
Detect transparent objects

