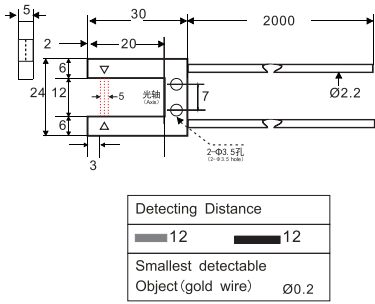


标签标记检测光纤
(Tag detection fiber)

槽型光纤 FF-12 FF-301

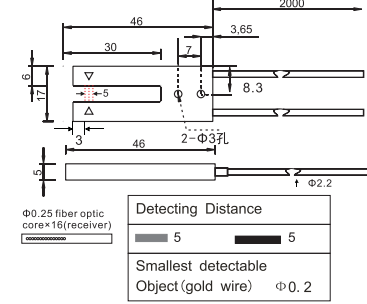
FFTA-SU10-10
FFUC-1220

区域槽型光纤
(Regional groove fiber)



FFUC-0530

区域槽型光纤
(Regional groove fiber)

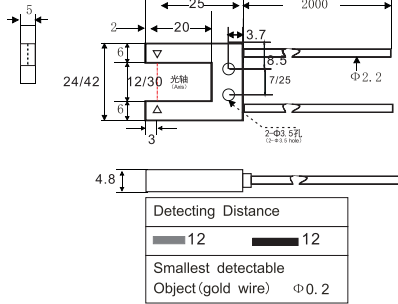


FFU712BC
FFU-1220

单点槽型光纤
(Single groove fiber)

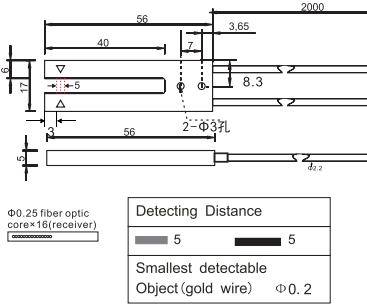


FFU-3020 (槽宽加宽型)



FFUC-0540

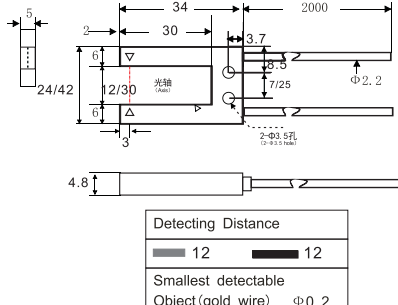
区域槽型光纤
(Regional groove fiber)



FFU-1230

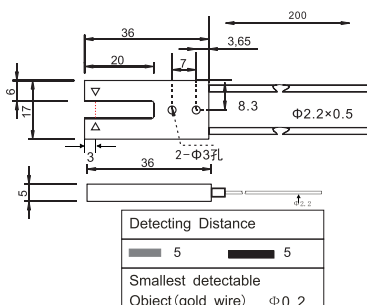
FFU-3030 (槽宽加宽型)

单点槽型光纤
(Single groove fiber)



FFU-0520

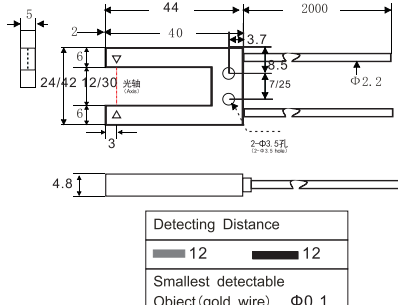
槽型光纤
(Groove Fiber)



FFU-1240

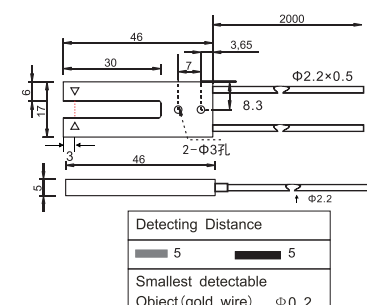
FFU-3040 (槽宽加宽型)

单点槽型光纤
(Single groove fiber)



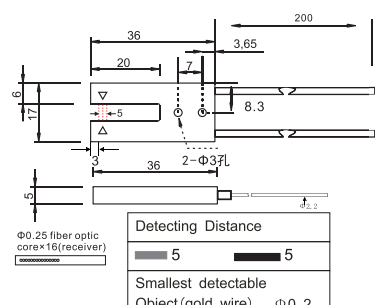
FFU-0530

槽型光纤
(Groove Fiber)



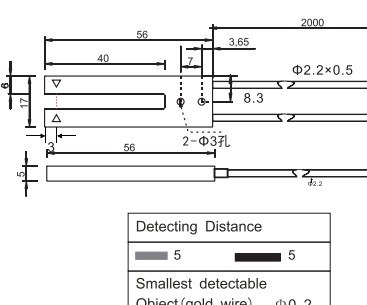
FFUC-0520

区域槽型光纤
(Regional groove fiber)



FFU-0540

槽型光纤
(Groove Fiber)



可定制槽宽2mm产品。例如: FFUC-0220、FFUC-0230、FFUC-0240
Customizable 2mm slot width products. For example: FFUC-0220 FFUC-0230, FFUC-0240

- 光纤管 (Fiber tube)
- 光纤聚焦镜 (Fiber Focus Lens)
- 接近开关 (Proximity switch)
- 光电开关 (Photoelectric switch)
- 标签传感器 (Label sensor)
- 光幕传感器 (Light curtain)
- 激光对准线 (Laser alignment)
- 压力传感器 (Pressure sensor)
- 磁性开关 (Magnetic switch)
- 连接器 (Connector)
- 激光传感器 (Laser sensors)
- 色标传感器 (Color sensor)
- 导轨式电源 (Rail power supply)
- 固态继电器 (Solid State Relay)

- 光纤管 (Fiber tube)
- 光纤选型表 (Optical fiber Table)
- 漫反射光纤管 (Diffuse fiber coaxial tube)
- 漫反射同轴光纤管 (Diffuse fiber coaxial tube)
- 漫反射侧视型 (Diffuse side type)
- 漫反射矩阵型 (Diffuse matrix)
- 对射型光纤管 (Beam optical tube)
- 对射型侧视型 (Fiber tube Side Light)
- 对射式矩阵型 (Matrix on the radio)
- 直角光纤管 (Rectangular fiber)
- 支架光纤管 (Fiber tube stent)
- 特殊型光纤 (Special optical fiber)
- 槽型光纤管 (Groove tube fiber)

- 窗口型光纤 (window optical fiber)
- 耐高温玻璃光纤 (High temperature glass fiber)
- LED冷光源 (LED cold light source)
- 光源光纤、石英光纤 (Light fiber, quartz fiber)