

***ALPHA***

# **Installation and Operating Manual**

**CEILING FAN MODEL : Q8-5B**

# Table of Contents

Item	Page No.
1. Safety Precautions .....	1
2. Parts & Accessories .....	2
3. Installation Instruction .....	3
a. Fan mounting .....	3 - 5
b. Wiring connection .....	6
c. Blades assembly .....	6 - 7
d. Transmitter assembly & function .....	9
4. Power Supply Connection .....	10
5. Circuit Diagram .....	11
6. Maintenance .....	11
7. Technical Specifications .....	12
8. Customer Service Centre .....	13

## Safety Precaution

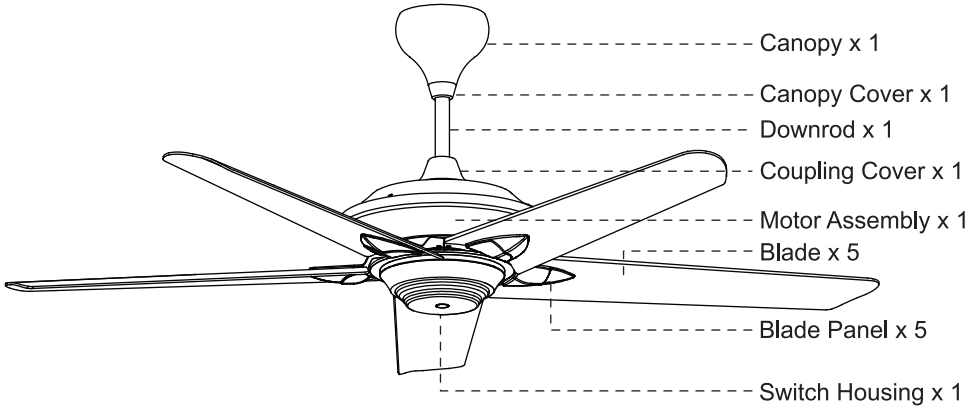
### IMPORTANT : PLEASE READ BEFORE INSTALLATION

1. Installation must be carried out by a qualified wiring installer.
2. Turn off the electrical mains at the circuit breaker fuse box.
3. Do not use power supply other than 240V~ 50Hz.
4. The appliance must be permanently connected to the electricity supply through a double pole switch having a contact separation of at least 3 mm in all poles.
5. Do not connect ceiling fan to any dimmer switch or regulator.
6. When mounting the fan, ensure that the safety wire is loop across the ceiling mounting hook.
7. The ceiling mounting hook must be able to withhold a min. of 35 lbs / 16 kg.
8. The ceiling fan must be mounted at a min. height of 8.2 ft / 2.5 m of clearance from the floor and 3 ft / 1 m from the wall to the blade.
9. Do not install at areas/places near/at
  - a) chemicals and alkali
  - b) flammable area such as gas cooker
  - c) oily places
  - d) wet and high humidity area such as shower room
  - e) high vibration/impact and continuously expose to direct wind
10. Do not place any objects in the path of the blades.
11. When all electrical connections are done, store all wires neatly.
12. Make sure that all screws and connection are tighten till snug.

## Warning

This product is designed to use only those parts supplied with this product and/or accessories designated specifically for use with this product. Using parts and/or accessories not designated for use with this product could result in personal injury or property damage.

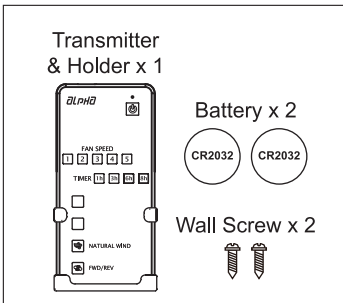
# Parts & Accessories



## Assembly Kit

Bolt x 1	Blade Panel Screw & Washer x 16	Blade Holder Screw & Washer x 1	Wire Connector x 3

## Transmitter Kit



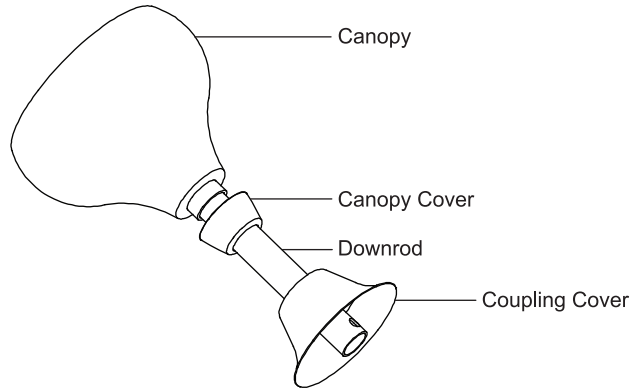
### Note :

The illustrations in this manual are for explanation purposes only and may differ from the actual unit. It is subjected to change without prior notice for further improvements.

# Installation Instruction

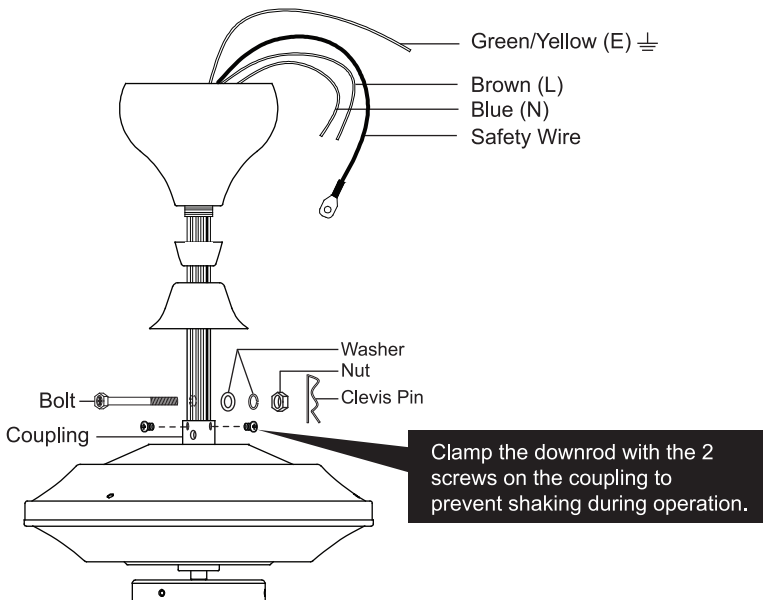
**IMPORTANT : SWITCH OFF THE ELECTRICAL MAINS AT THE CIRCUIT BREAKER FUSE BOX.**

**Step 1** - Assemble the canopy and coupling cover through the downrod.



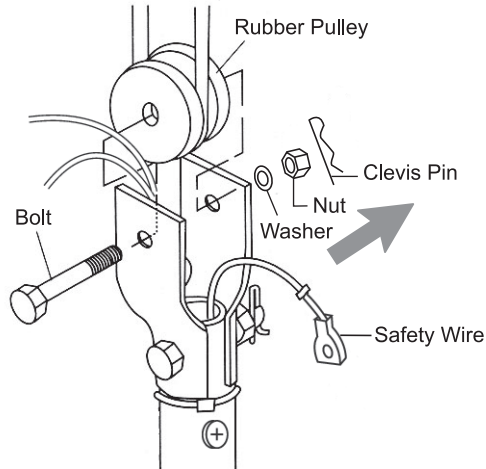
**Step 2** - Route all the wires from motor through the downrod. Fix the downrod to the coupling with bolt, washer, nut and tighten them firmly then insert the clevis pin.

**IMPORTANT : Clevis pin MUST be inserted to prevent nut from loosening.**

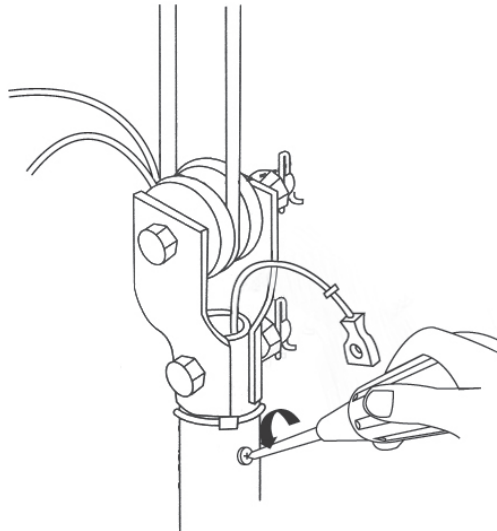


# Installation Instruction

**Step 3** - Remove the bolt, clevis, nut, washer and rubber pulley from the downrod.  
Place the rubber pulley onto the ceiling hook and fix back the bolt, clevis, nut and washer.  
**IMPORTANT** : Clevis pin **MUST** be inserted to prevent nut from loosening.

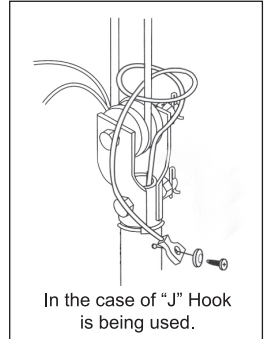
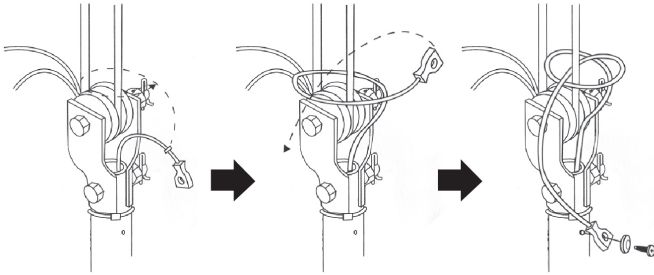


**Step 4** - Remove the safety wire screw and spring washer from the downrod.  
**IMPORTANT** : Clevis pin **MUST** be inserted to prevent nut from loosening.

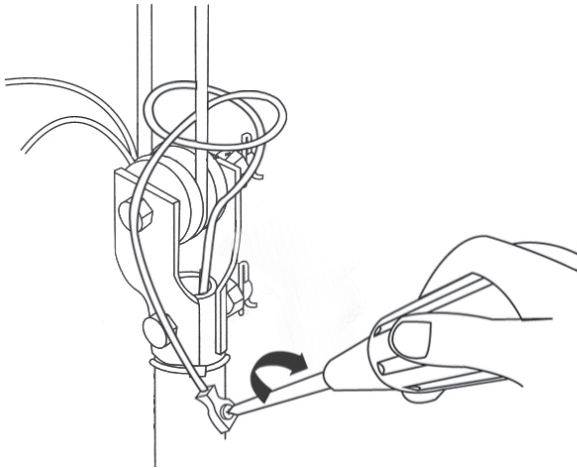


# Installation Instruction

**Step 5** - Loop the safety wire to the hook as shown.

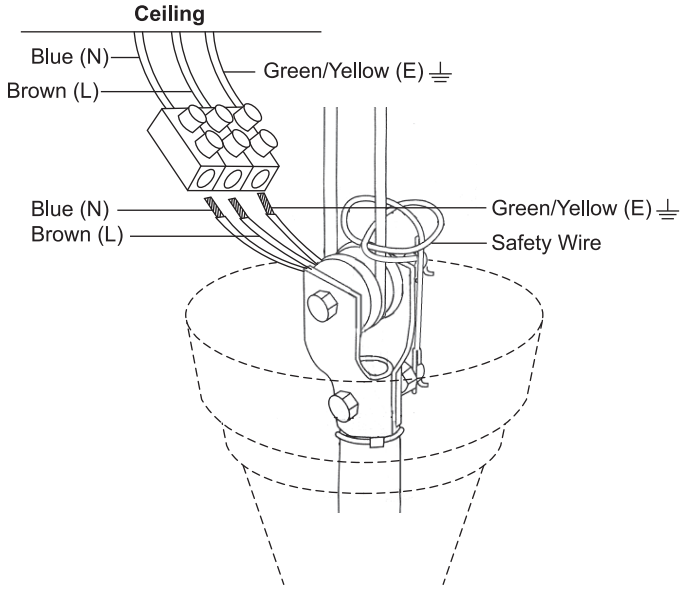


**Step 6** - Screw back the safety wire with spring washer onto the downrod firmly.

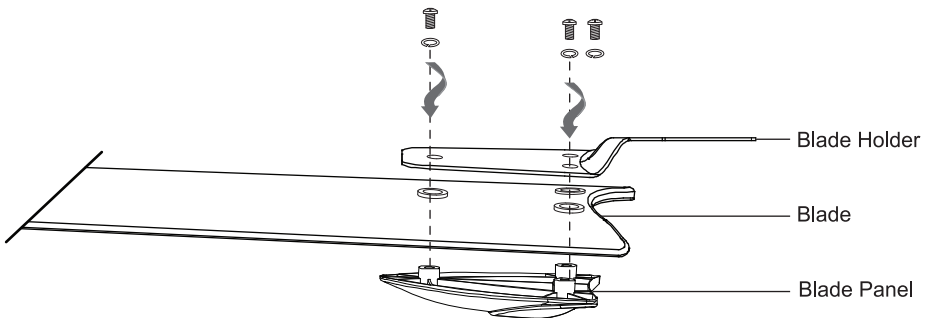


# Installation Instruction

**Step 7** - Connect the wires to the house's supply wire.

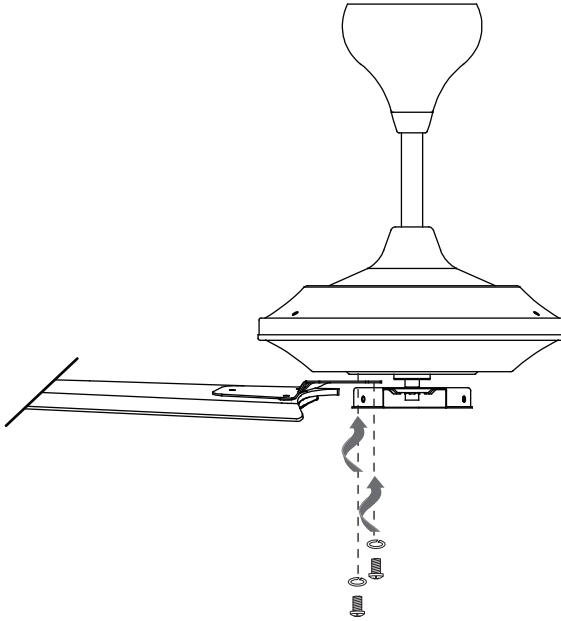


**Step 8** - Align the 3 holes on the blade holder, blade and blade panel and screw on with the screws and washers provided.

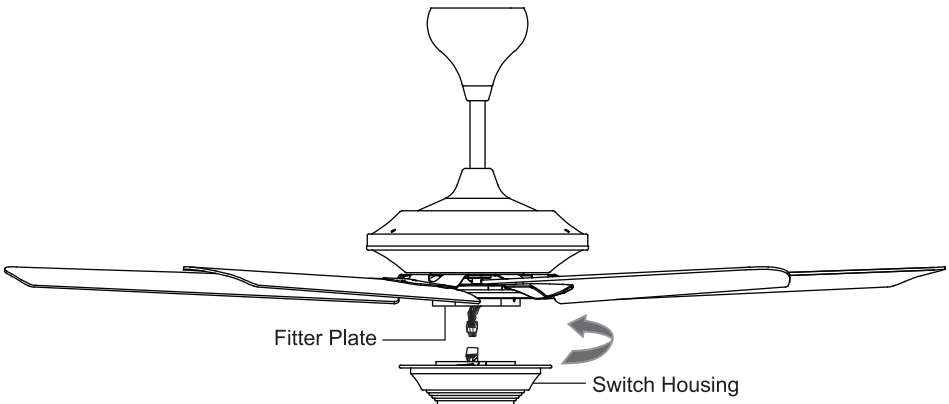


# Installation Instruction

**Step 9** - Remove the screws at the motor and fix the blade to the motor using these screws.  
**IMPORTANT** : Assemble the blades only after the ceiling fan is mounted on the hook.



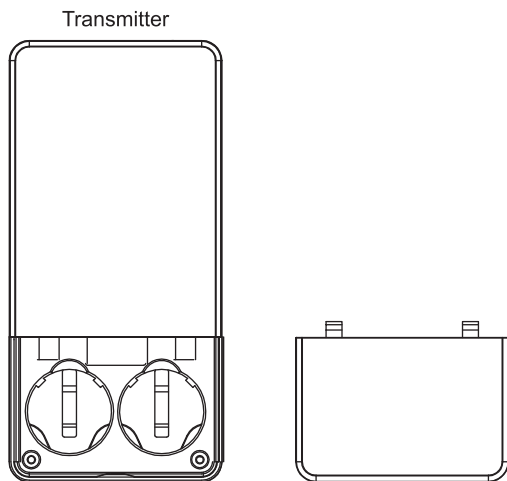
**Step 10** - Connect the connectors and twist the switch housing onto the fitter plate till snug.



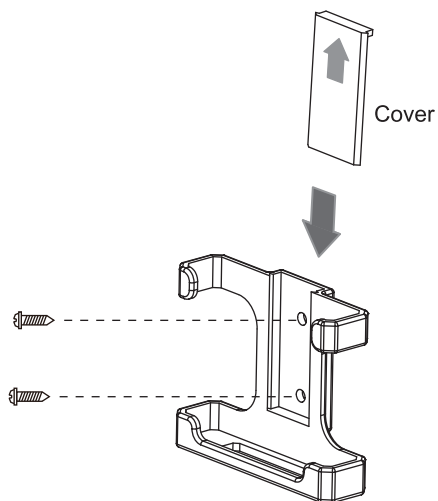


# Transmitter Assembly

Insert the 2 pcs CR2032 batteries (provided) into the transmitter.

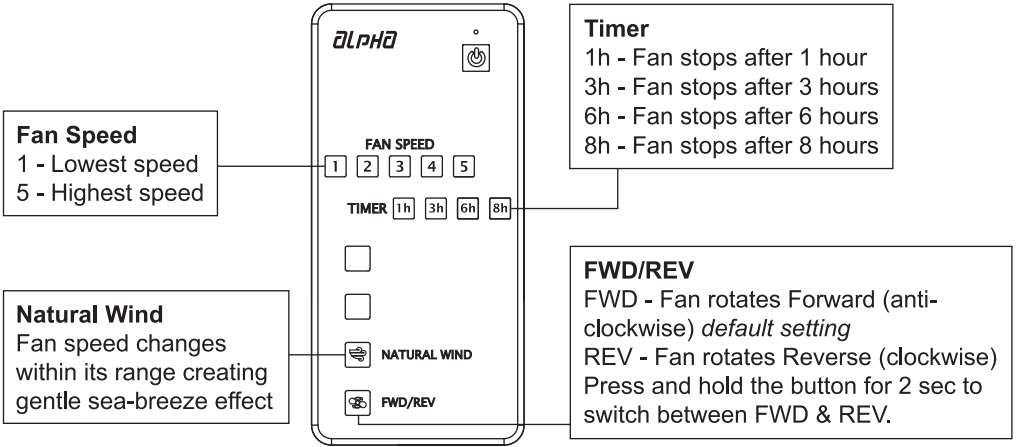


Mount the transmitter holder on the wall with the screws provided and slide in the cover as shown in below diagram.



# Transmitter Function

**IMPORTANT : DO NOT CONNECT THIS REMOTE CONTROL CEILING FAN TO DIMMER SWITCH OR REGULATOR.**



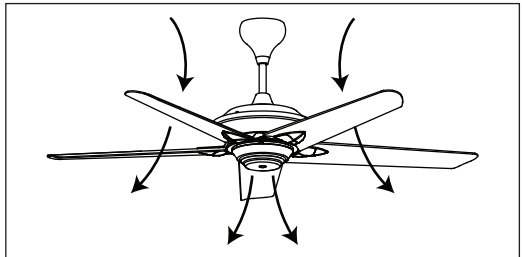
## Function of Forward and Reverse

1. Fan must be turned on and rotating.
2. Upon activation, fan will slow down and then change direction (approx. 15 sec).  
*When the fan is slowing to change direction, the Fan Speed function is disabled until direction has been changed.*

### Forward

Fan rotates anti-clockwise blowing the air downwards creating the wind chill effect.

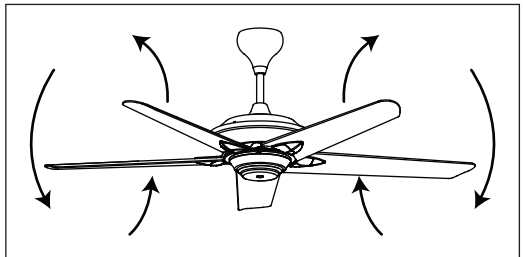
**Suitable for hot weather condition.**



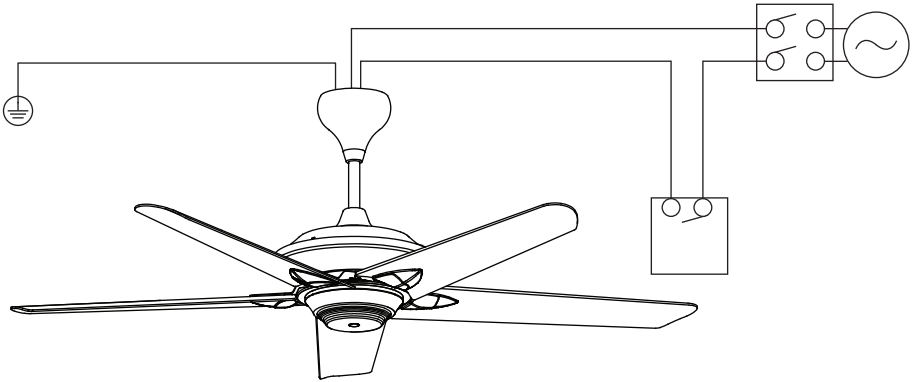
### Reverse

Fan rotates clockwise drawing the air towards the ceiling circulating the warm air downwards. This function works best at low speed.

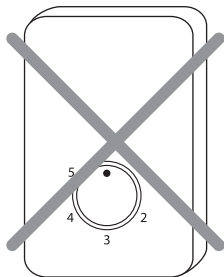
**Suitable for cold weather or air-conditioned condition.**



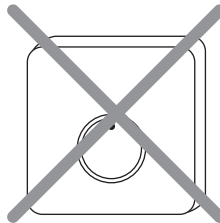
# Power Supply Connection



**IMPORTANT : DO NOT CONNECT THIS REMOTE CONTROL CEILING FAN TO REGULATOR OR DIMMER SWITCH.**

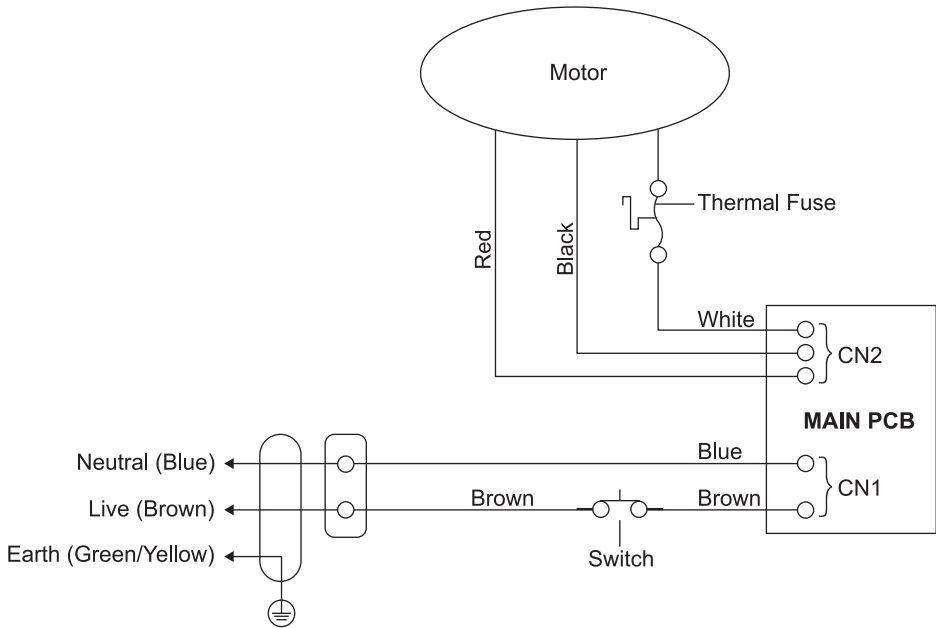


Regulator



Dimmer Switch

# Circuit Diagram



## Maintenance

Due to the fan's natural movement, connections may get loose after a period of usage. To ensure a proper and safety usage, it is highly recommended to inspect and tighten all connections every 6 months.

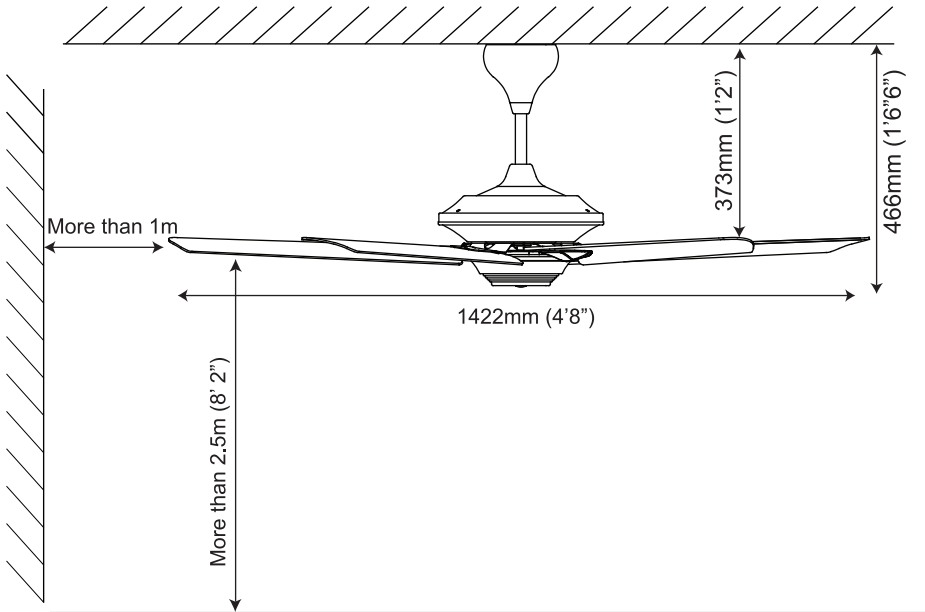
### Cleaning

Cleaning your fan periodically will prolong its new appearance. Basic cleaning procedures are as follows :

1. Use only water and mild soap. Do not use solvents, corrosive or acidic solution.
2. Damp the cloth lightly. Use only soft or lint-free cloth to clean the fan. Rough fabric will scratch the surface.
3. Do not bent the blades while cleaning. At the event where blades are bent or damaged, order a new set of blades from Alpha service center or authorised retailers.
4. There is no need to oil the fan.

# Technical Specifications

Model	Q8-5B
No. of blades	5
Fan width	56" / 1422mm
Motor R.P.M.	90 - 235
Nett weight	8.5 kg
Voltage	240V~ 50Hz
Wattage	20W - 75W



# Customer Service Centre

If you need any technical assistance or faulty report, please contact our customer service centre at :

## Alpha Home Appliances Sdn. Bhd. (390258-H)

Area	Address	Contact
Head Office	6, Jalan Sungai Kayu Ara 32/37, Berjaya Park, Section 32, 40460 Shah Alam, Selangor.	Tel : 03-5740 6666 Fax : 03-5740 8220 Website : <a href="http://www.alphamalaysia.com">www.alphamalaysia.com</a> Email : <a href="mailto:info@alphamalaysia.com">info@alphamalaysia.com</a>
Johor	71, Jalan Molek 3/10, Taman Molek, 81100 Johor Bahru, Johor.	Tel : 07-353 4833 / 4933 Fax : 07-355 4233
Melaka	G-8, Jalan PM3, Plaza Mahkota, 75000 Melaka.	Tel : 06-292 2398 / 2399 Fax : 06-292 2392
Perak	16, Jalan Tasek Timur, Taman Tasek Indra, 31400 Ipoh, Perak.	Tel : 05-545 2282 / 547 2282 Fax : 05-547 6282
Penang	2744, Ground Floor, Jalan Chain Ferry, Taman Inderawasih, 13600 Prai, Penang.	Tel : 04-397 9923 / 9920 Fax : 04-397 9690
Pahang	A131, TK1, Jalan Wang Ah Jang, Taman Liza, 25100 Kuantan, Pahang.	Tel : 09-516 5226 Fax : 09-513 9226