

ALPHA

instruction manual

CEILING FAN

For model : Baby LK1

Tables of Contents

Item	Page No.
1. Safety Precautions	1
2. Parts & Accessories	2
3. Installation Instruction.....	3
a. Fan mounting	3 - 4
b. Electrical connection.....	5
c. Accessories assembly	5 - 7
d. Receiver and transmitter assembly	8
6. Maintenance	9
7. Technical Specifications	9
8. Customer Service Centre	10

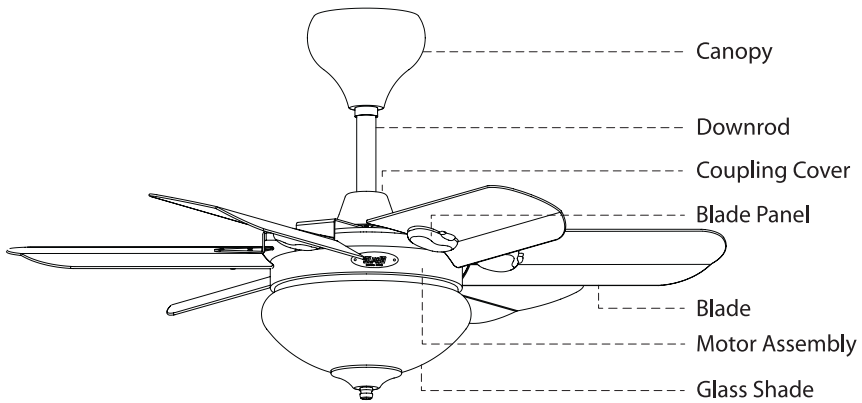
Safety Precaution

IMPORTANT : PLEASE READ BEFORE INSTALLATION

1. Installation must be carried out by a qualified wiring installer.
2. Turn off the electrical mains at the circuit breaker fuse box.
3. Do not use power supply other than 240V 50Hz.
4. When mounting the fan, ensure that the safety wire is loop across the ceiling mounting hook.
5. The ceiling mounting hook must be able to withhold a min. of 35 pounds.
6. The ceiling fan must be mounted at a min. height of 8.2 feet / 2.5m of clearance from the floor.
7. Do not place any objects in the path of the blades.
8. When all electrical connections are done, store all wires neatly.
9. Make sure that all screws and connection are tightly screwed and secured.

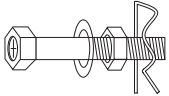
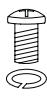


Parts & Accessories

Item	Qty
1. Canopy	1
2. Downrod Assembly with Rubber Pulley	1
3. Coupling Cover	1
4. Blade Panel	6
5. Blade	6
6. Motor Assembly	1
7. Glass Shade	1
8. Remote Control Transmitter and Holder	1
9. Assembly Kit	1
10. Balancing Kit	1


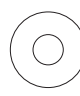


Transmitter x 1

Assembly Kit

			
Bolt x 1	Blade Panel Screw x 19	Blade Holder Screw x 1	Wire Connector x 3

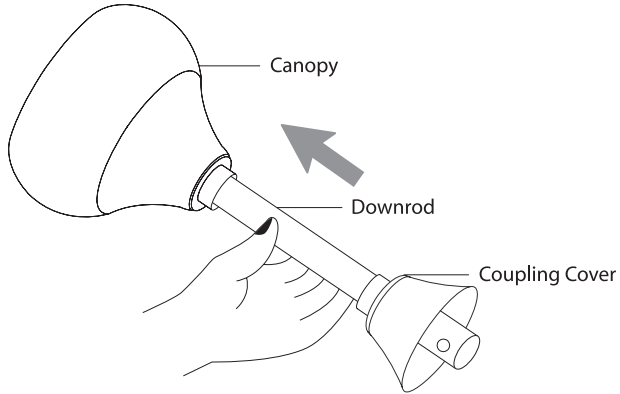
Balancing Kit

	
Balancing Clip x 1	Balancing Metal x 2

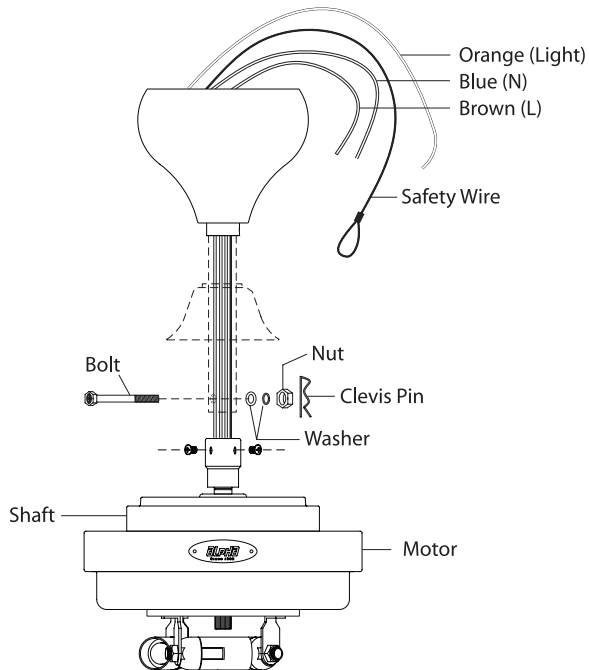
Installation Instruction

IMPORTANT : SWITCH OFF THE ELECTRICAL MAINS AT THE CIRCUIT BREAKER FUSE BOX.

Step 1 - Assemble the canopy and coupling cover through the downrod

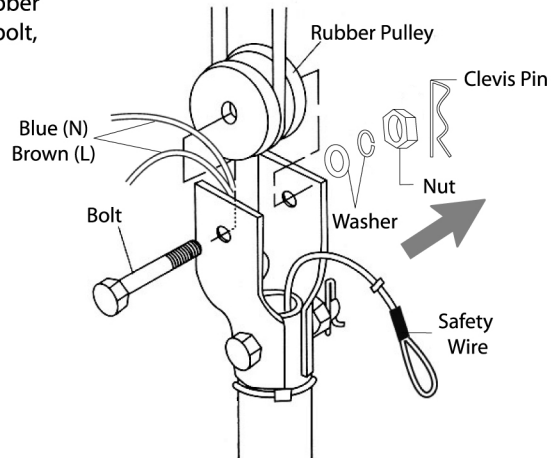


Step 2 - Route the safety wire, blue and brown wires from the motor through the downrod. Fix the downrod to the shaft with bolt, washer, nut and tighten them firmly then insert the clevis pin.

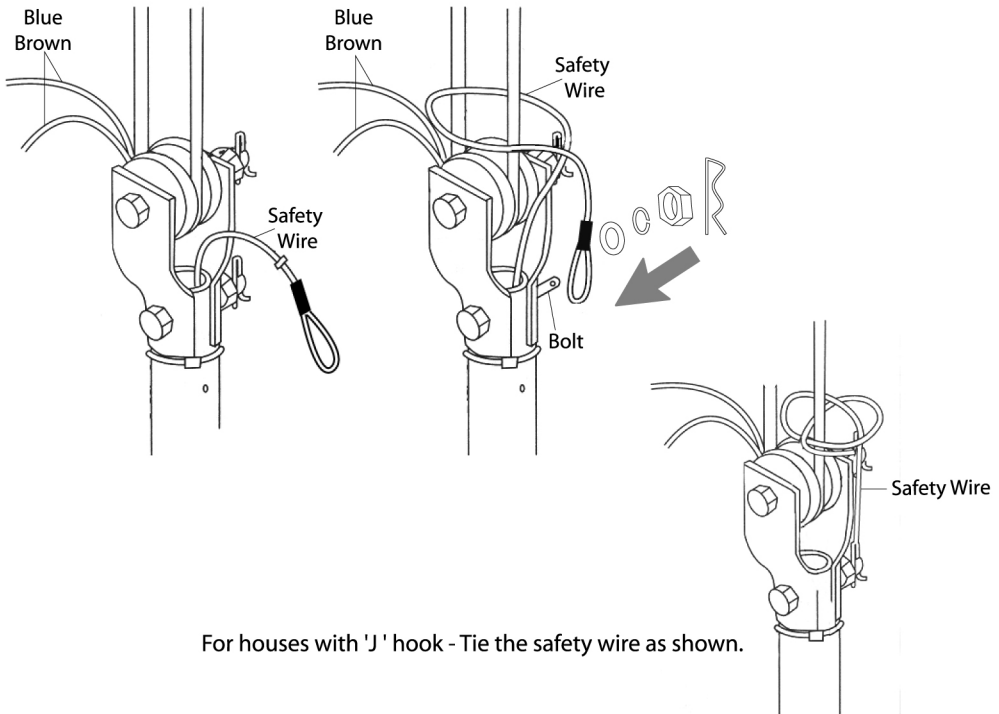


Installation Instruction

Step 3 - Remove the bolt, clevis, nut, washer and rubber pulley from the downrod. Place the rubber pulley onto the ceiling hook and fix back the bolt, clevis, nut and washer .



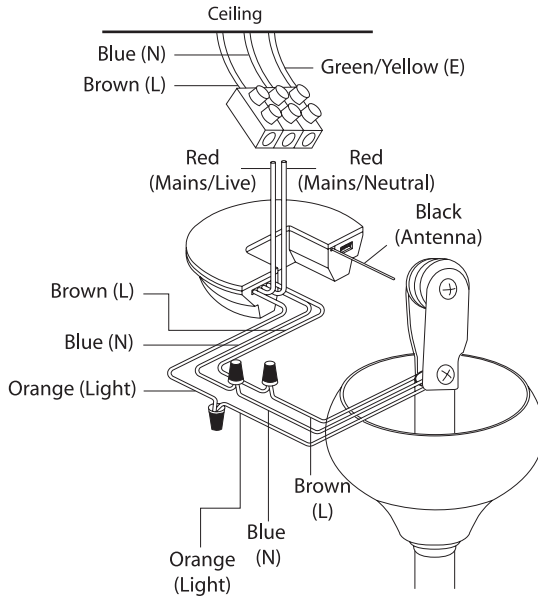
Step 4 - Tie the safety wire across the hook and insert into the bolt and secure with washer, nut and clevis pin.



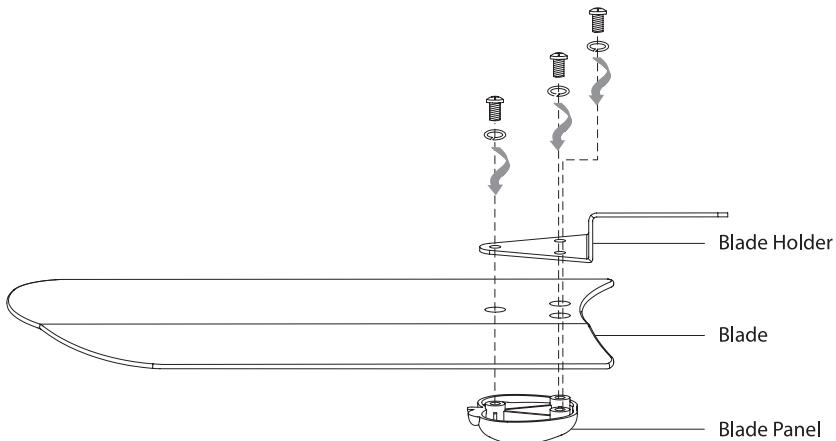
Installation Instruction

IMPORTANT : SWITCH OFF THE ELECTRICAL MAINS AT THE CIRCUIT BREAKER FUSE BOX.

Step 5 - Connect the brown, blue and orange wire from the receiver to the fan. Connect the 2 red wire (L & N) to the house's supply wire then insert the receiver into the canopy.

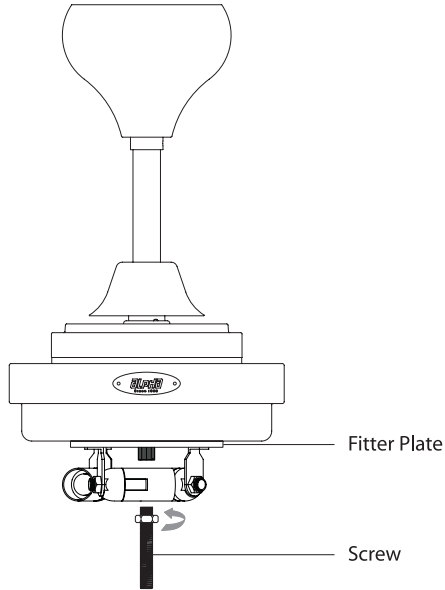


Step 6 - Align the 3 holes on the blade holder, blade and blade panel and screw on with the screws and washers provided.



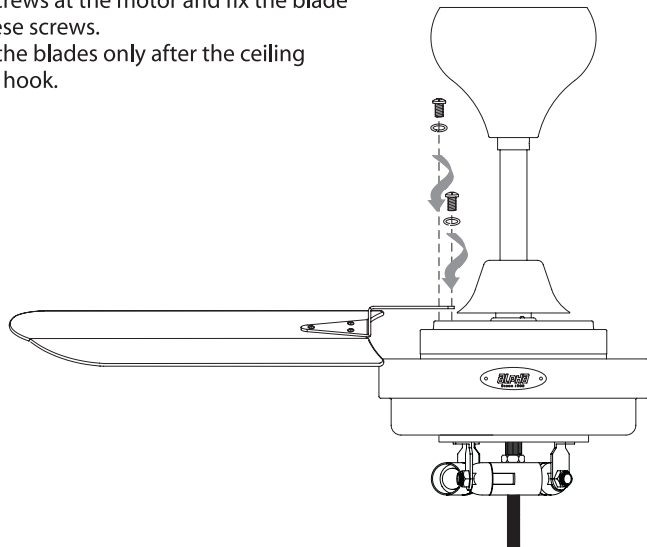
Installation Instruction

Step 7 - Fix the screw to the fitter plate and secure with the hexagon nut.



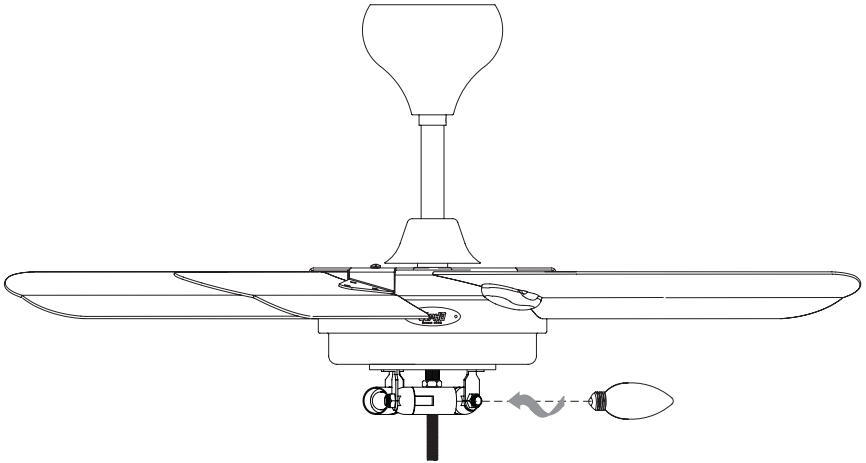
Step 8 - Remove the screws at the motor and fix the blade to the motor using these screws.

Important : Assemble the blades only after the ceiling fan is mounted on the hook.

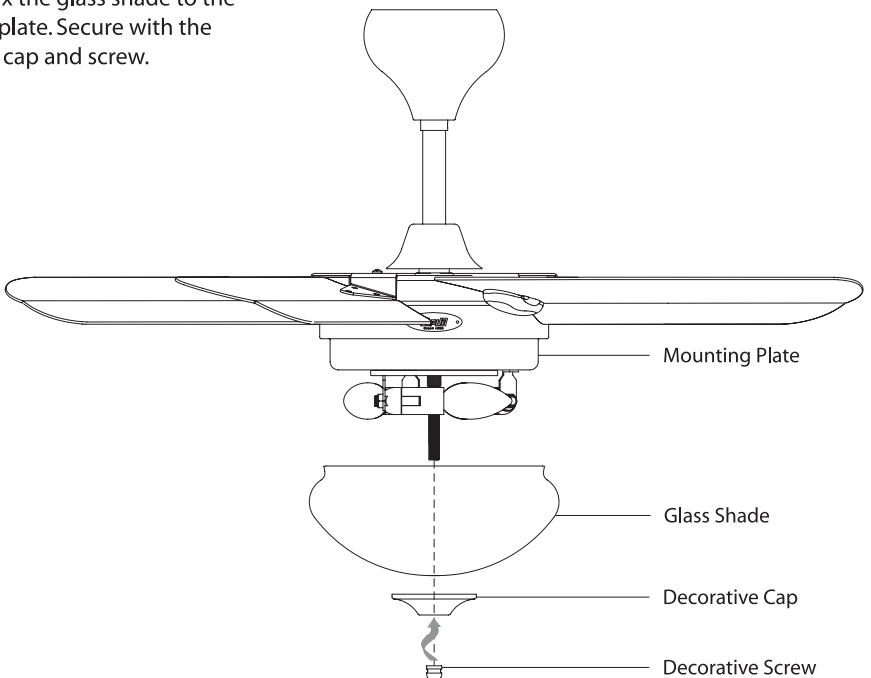


Installation Instruction

Step 9 - Install 3 x 40W light bulbs (not provided) into the socket.



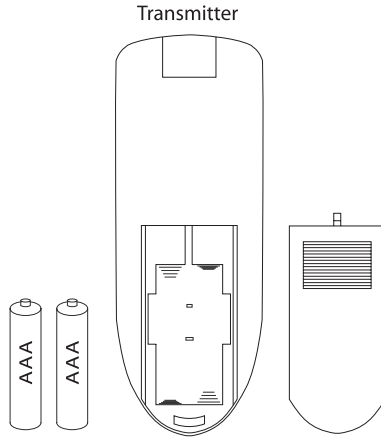
Step 10 - Fix the glass shade to the mounting plate. Secure with the decorative cap and screw.



Installation Instruction

IMPORTANT : DO NOT CONNECT THIS REMOTE CONTROL CEILING FAN TO DIMMER SWITCH OR REGULATOR.

Insert the 2 pcs batteries (provided) into the transmitter.

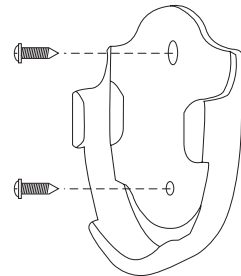


Function of the Transmitter

- LIGHT** - On/Off the light
- Dimmer** - Hold on bottom to dim light
- Natural** - Activate natural wind mode.
Every 10 sec, 4 speed changes automatically
- OFF** - Turns off the fan
- 1** - Low speed
- 2** - Medium speed
- 3** - High speed
- 4** - Highest speed



Mount the remote control holder on the wall with the screws provided.



* Everytime you press the transmitter button, there will be a short beep.

Maintenance

Due to the fan's natural movement, connetions may get loose after a period of usage. To ensure a proper and safety usage, it is highly recommended to inspect and tighten all connections every 6 months.

Cleaning

Cleaning your fan periodically will prolong its new appearance. Basic cleaning procedures are as follows :

1. Use only lukewarm water. Do not use detegent, corrosive or acidic solution.
2. Damp the cloth lightly. Use only soft or lint-free cloth to clean the fan. Rough fabric will scratch the surface.
3. To cover small scratches, apply a light coat of shoe polish over it.
4. There is no need to oil the fan.

Technical Specifications

Model	Baby LK1
No. of blades	6
Fan width	32"
Motor RPM	120 - 260
Light Bulb*	3 x 40W
Voltage	240V 50Hz
Wattage	15 - 65

* not provided

