

***ALPHA***

# instruction manual

**CEILING FAN**

For model : V6 LK1

# Tables of Contents

Item	Page No.
1. Safety Precautions .....	1
2. Parts & Accessories .....	2
3. Installation Instruction .....	3
a. Fan mounting .....	3 - 4
b. Electrical connection .....	5
c. Receiver connection .....	5
d. Accessories assembly .....	6 - 8
e. Transmitter function .....	8 - 9
4. Maintenance .....	9
5. Technical Specifications .....	10
6. Customer Service Centre .....	10

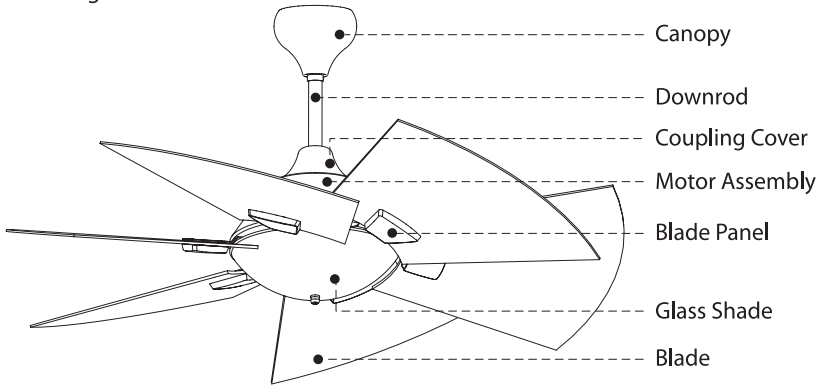
## Safety Precaution

### IMPORTANT : PLEASE READ BEFORE INSTALLATION

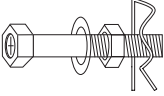
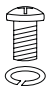
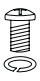

1. Installation must be carried out by a qualified wiring installer.
2. Turn off the electrical mains at the circuit breaker fuse box.
3. Do not use power supply other than 240V 50Hz.
4. When mounting the fan, ensure that the safety wire is loop across the ceiling mounting hook.
5. The ceiling mounting hook must be able to withhold a min. of 35 pounds.
6. The ceiling fan must be mounted at a min. height of 8.2 feet / 2.5 m of clearance from the floor.
7. Do not place any objects in the path of the blades.
8. When all electrical connections are done, store all wires neatly.
9. Make sure that all screws and connection are tightly screwed and secured.

# Parts & Accessories


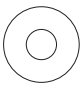
Item	Qty
1. Canopy	1
2. Downrod Assembly with Rubber Pulley	1
3. Coupling Cover	1
4. Motor Assembly	1
5. Blade Panel	6
6. Glass Shade	1
7. Blade	6
8. Receiver	1
9. Transmitter and Holder	1
10. Assembly Kit	1
11. Balancing Kit	1





## Assembly Kit

	
Bolt x 1	Blade Holder Screw x 13
	
Blade Panel Screw x 19	Wire Connector x 3

## Balancing Kit

	
Balancing Clip x 1	Balancing Metal x 2

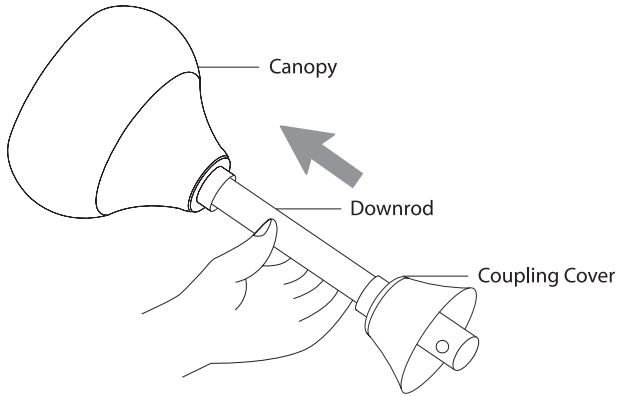
## Remote Control Kit

	
Receiver x1	Transmitter with Holder x 1

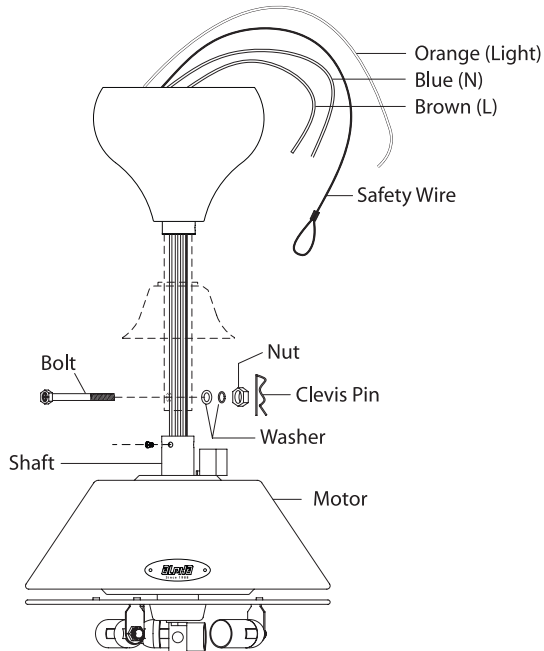
# Installation Instruction

**IMPORTANT : SWITCH OFF THE ELECTRICAL MAINS AT THE CIRCUIT BREAKER FUSE BOX.**

**Step 1 - Assemble the canopy and coupling cover through the downrod**

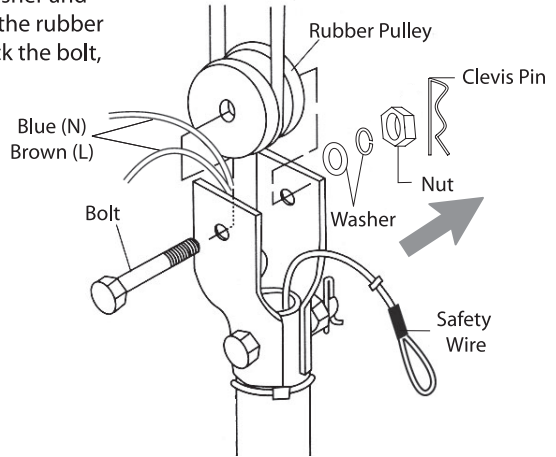


**Step 2 - Route the safety wire, blue and brown wires from the motor through the downrod. Fix the downrod to the shaft with bolt, washer, nut and tighten them firmly then insert the clevis pin.**

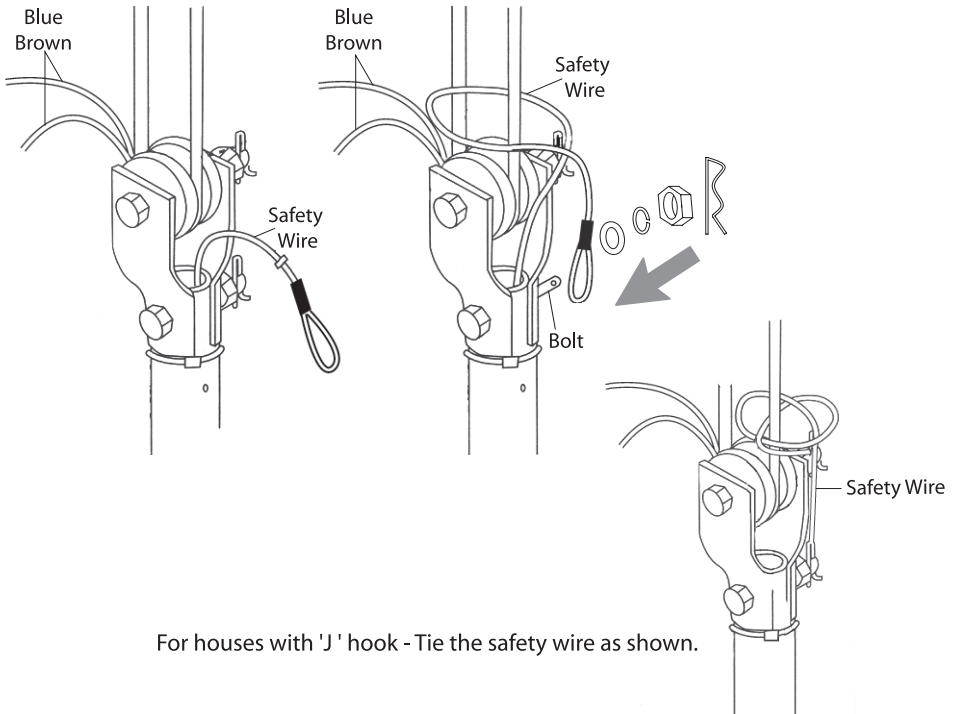


# Installation Instruction

**Step 3** - Remove the bolt, clevis, nut, washer and rubber pulley from the downrod. Place the rubber pulley onto the ceiling hook and fix back the bolt, clevis, nut and washer .



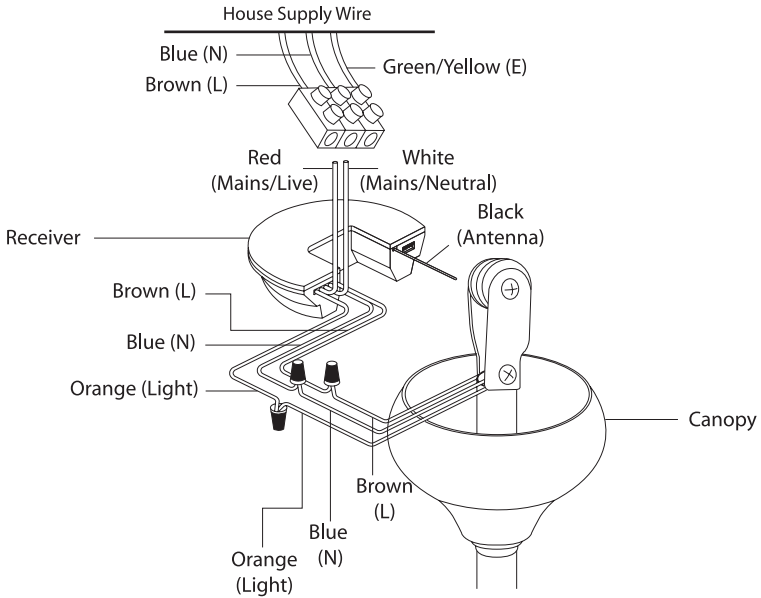
**Step 4** - Tie the safety wire across the hook and insert into the bolt and secure with washer, nut and clevis pin.



# Installation Instruction

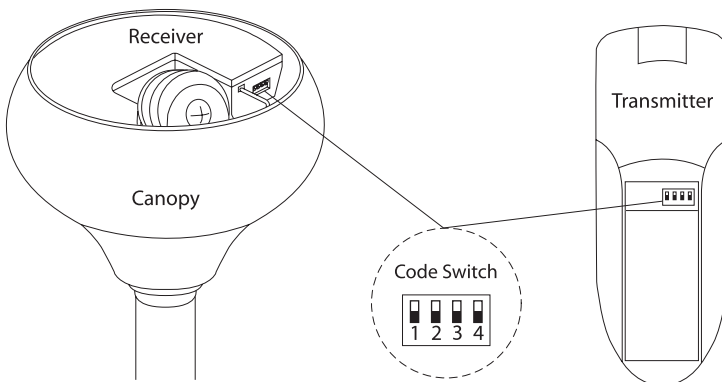
**IMPORTANT : SWITCH OFF THE ELECTRICAL MAINS AT THE CIRCUIT BREAKER FUSE BOX.**

**Step 5** - Connect the brown, blue and orange wire from the receiver to the fan. Connect the both red and white wire (L & N) to the house's supply wire.



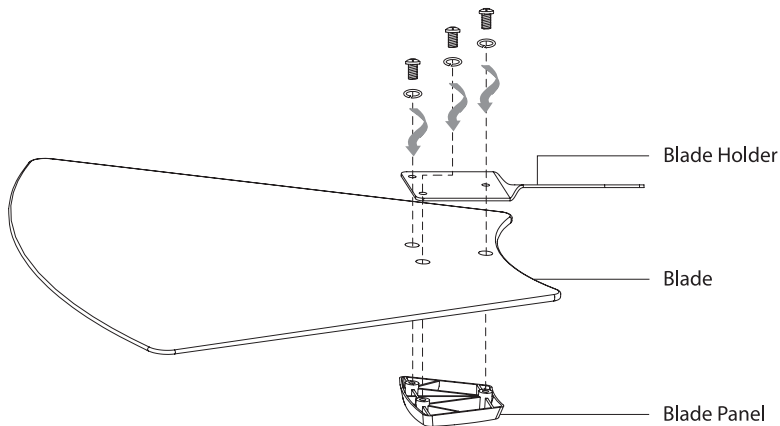
**Step 6** - Match the codes on the receiver and transmitter to be at the same mode. To change the code, push the dip switch up or down. Insert the receiver into the canopy and store all wires neatly.

**To control 2 or more fans using 1 transmitter, set all receiver's code at the same mode with the transmitter.**

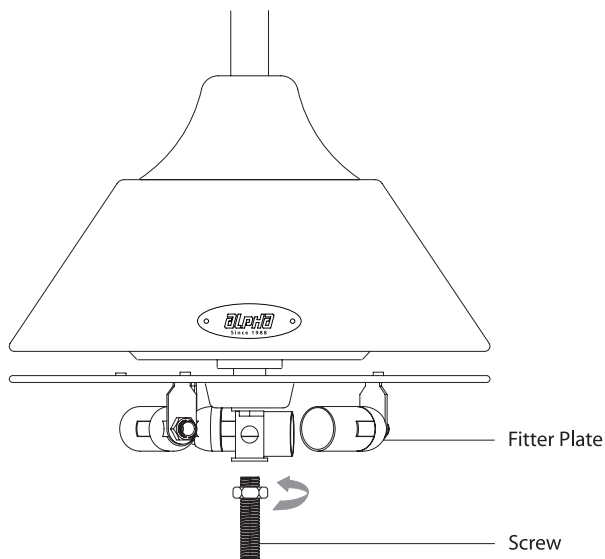


# Installation Instruction

**Step 7** - Align the 3 holes on the blade holder, blade and blade panel and screw on with the screws and washers provided. Repeat procedure for the remaining blades.

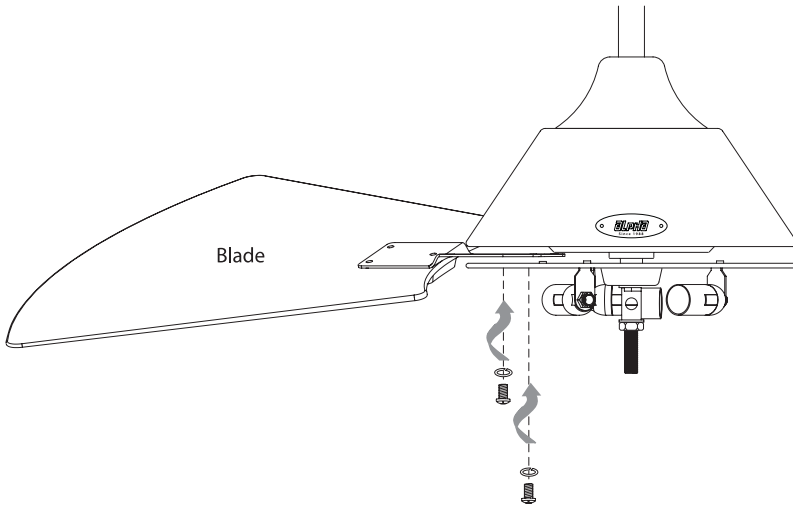


**Step 8** - Fix the screw to the fitter plate and secure with the hexagon nut.

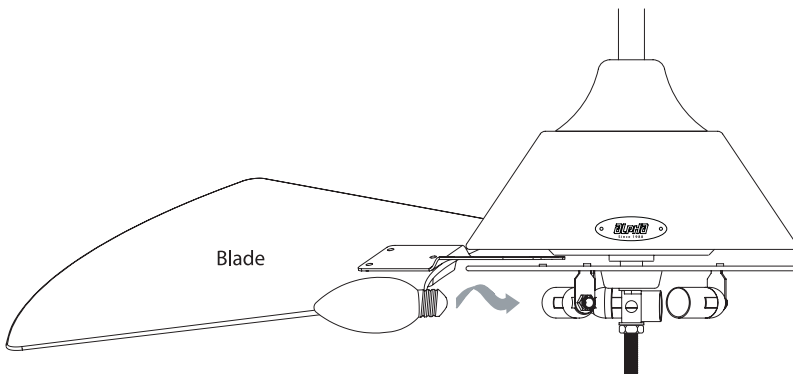


# Installation Instruction

**Step 9** - Fix the blade onto the motor using the blades holder screws provided.  
Important : Assemble the blades only after the ceiling fan is mounted on the hook.



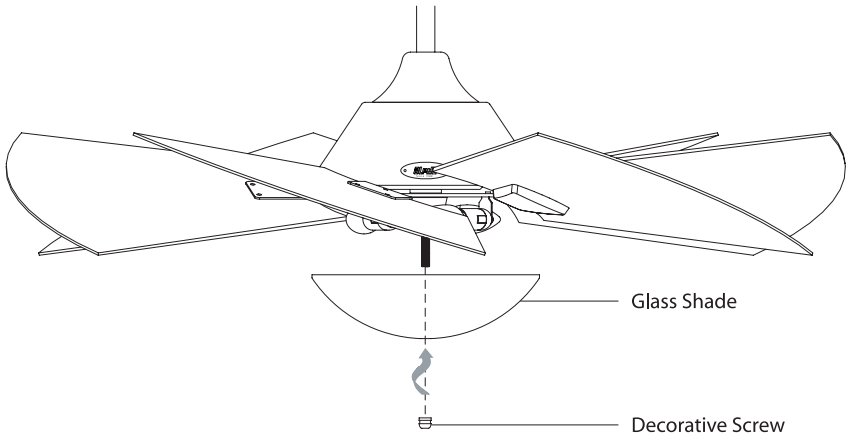
**Step 10** - Install 3 x 40W, E14 light bulbs (not provided) into the socket.





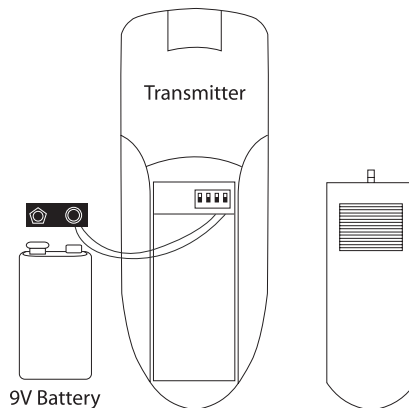
# Installation Instruction

**Step 11** - Fix the glass shade to the mounting plate. Secure with the decorative screw.



**IMPORTANT : DO NOT CONNECT THIS REMOTE CONTROL CEILING FAN TO DIMMER SWITCH OR REGULATOR.**

Insert the battery (provided) into the transmitter.



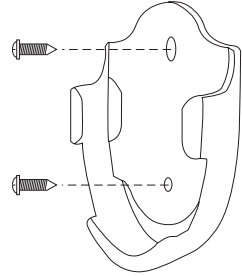
# Installation Instruction

## Function of the Transmitter

- LIGHT - On/Off the light
- Dimmer - Press and hold to dim light
- Natural - Activate natural wind mode. Every 10 sec, 4 speed changes automatically
- OFF - Turns off the fan
- 1 - Low speed
- 2 - Medium speed
- 3 - High speed
- 4 - Highest speed



Mount the transmitter holder on the wall with the screws provided.



\* Everytime you press the transmitter button, there will be a short beep.

# Maintenance

Due to the fan's natural movement, connections may get loose after a period of usage. To ensure a proper and safety usage, inspect the suspension system and tighten all connections every 6 months.

**IMPORTANT : SWITCH OFF THE ELECTRICAL MAINS AT THE CIRCUIT BREAKER FUSE BOX.**

## Cleaning

Cleaning your fan periodically will prolong its new appearance. Basic cleaning procedures are as follows :

1. Use only lukewarm water. Do not use detergent, corrosive or acidic solution.
2. Damp the cloth lightly. Use only soft or lint-free cloth to clean the fan. Rough fabric will scratch the surface.
3. To cover small scratches, apply a light coat of shoe polish over it.
4. There is no need to oil the fan.

# Technical Specifications

Model	V6 LK1
No. of blades	6
Fan width	40"
Motor RPM	120 - 260
Light Bulb*	3 x 40W, E14
Voltage	240V 50Hz
Wattage	30W - 85W

\* not provided

