

ALPHA

Instruction Manual

**CEILING FAN MODEL : E-Light 28,
828/5B, 828/3B & 838/5B**

Table of Contents

Item	Page No.
1. Safety Precautions	1
2. Parts & Accessories for E-Light 28	2
3. Parts & Accessories for 828/5B	3
4. Parts & Accessories for 828/3B	4
5. Parts & Accessories for 838/5B	5
6. Installation Instruction.....	6
a. Assembly of accessories	6
b. Fan Mounting	7
c. Wiring & receiver connection	8 - 10
d. Assembly of blades & switch housing	10 - 11
7. Circuit Diagram	12
8. Transmitter assembly & operation	13 - 15
9. Regulator assembly & operation	16
10. Emergency light user guide	16
11. Maintenance	17
12. Technical specification	17 - 18
13. Customer Service Centre	18

Safety Precaution

IMPORTANT : PLEASE READ BEFORE INSTALLATION

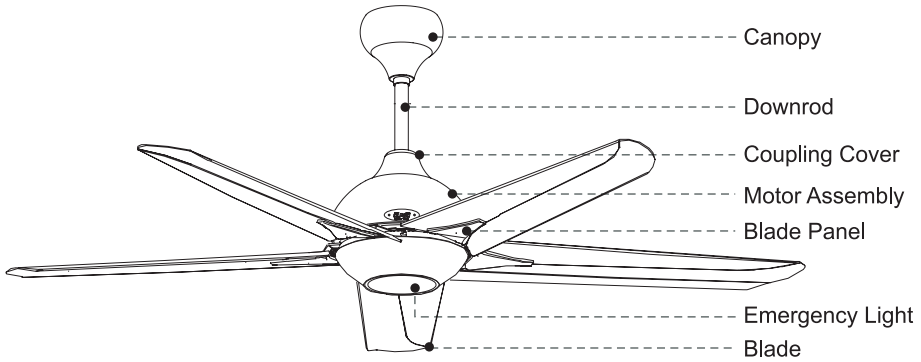
1. Installation must be carried out by a qualified wiring installer.
2. Turn off the electrical mains at the circuit breaker fuse box.
3. Do not use power supply other than 240V 50Hz.
4. When mounting the fan, ensure that the safety wire is loop across the ceiling mounting hook.
5. The ceiling mounting hook must be able to withhold a min. of 35 pounds.
6. The ceiling fan must be mounted at a min. height of 8.2 feet / 2.5m of clearance from the floor.
7. Do not place any objects in the path of the blades.
8. When all electrical connections are done, store all wires neatly.
9. Make sure that all screws and connection are tighten till snug.

Warning

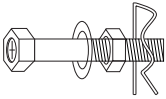
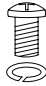


This product is designed to use only those parts supplied with this product and/or accessories designated specifically for use with this product. Using parts and/or accessories not designated for use with this product could result in personal injury or property damage.

Parts & Accessories - E-Light 28



Item	Qty
1. Canopy	1
2. Downrod Assembly with Rubber Pulley	1
3. Coupling Cover	1
4. Motor Assembly	1
5. Blade Panel	5
6. Emergency Light	1
7. Blades	5
8. Remote Control Transmitter and Holder	1
9. Assembly Kit	1
10. Balancing Kit	1



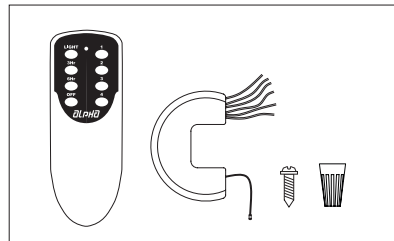
Assembly Kit

			
Bolt x 1	Blade Panel Screw x 16	Blade Holder Screw x 1	Wire Connector x 2

Balancing Kit

	
Balancing Clip x 1	Balancing Metal x 2

Receiver & Transmitter Kit

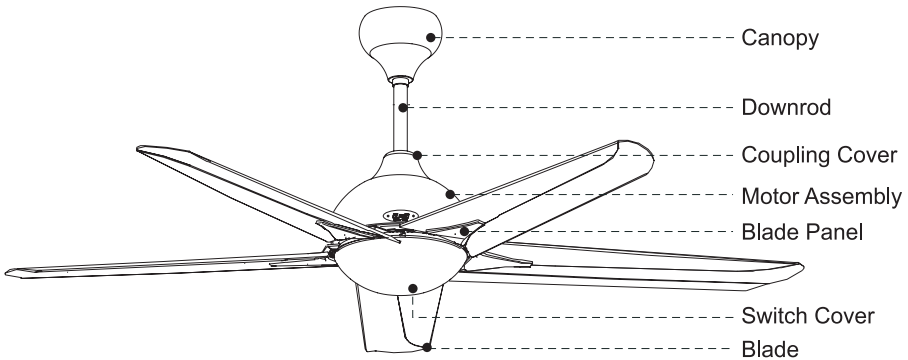


Note :

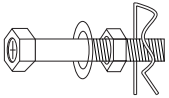
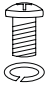


The illustrations in this manual are for explanation purposes only and may differ from the actual unit. It is subjected to change without prior notice for further improvements.

Parts & Accessories - 828/5B


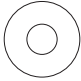
Item	Qty
1. Canopy	1
2. Downrod Assembly with Rubber Pulley	1
3. Coupling Cover	1
4. Motor Assembly	1
5. Blades Panel	5
6. Switch Housing	1
7. Blades	5
8. Remote Control Transmitter and Holder	1
9. Assembly Kit	1
10. Balancing Kit	1



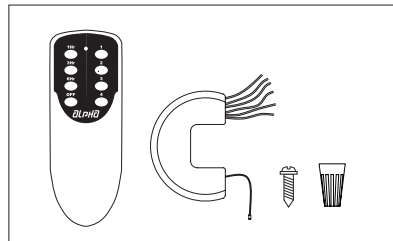
Assembly Kit

			
Bolt x 1	Blade Panel Screw x 16	Blade Holder Screw x 1	Wire Connector x 2

Balancing Kit

	
Balancing Clip x 1	Balancing Metal x 2

Receiver & Transmitter Kit

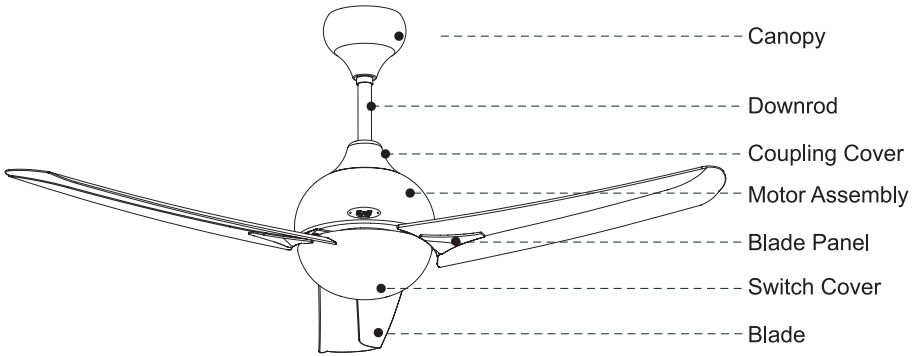


Note :

The illustrations in this manual are for explanation purposes only and may differ from the actual unit. It is subjected to change without prior notice for further improvements.

Parts & Accessories - 828/3B

Item	Qty
1. Canopy	1
2. Downrod Assembly with Rubber Pulley	1
3. Coupling Cover	1
4. Motor Assembly	1
5. Blade Panel	3
6. Switch Housing	1
7. Blades	3
8. Assembly Kit	1
9. Balancing Kit	1



Assembly Kit

Bolt x 1	Blade Panel Screw x 16	Blade Holder Screw x 1	Wire Connector x 2

Balancing Kit

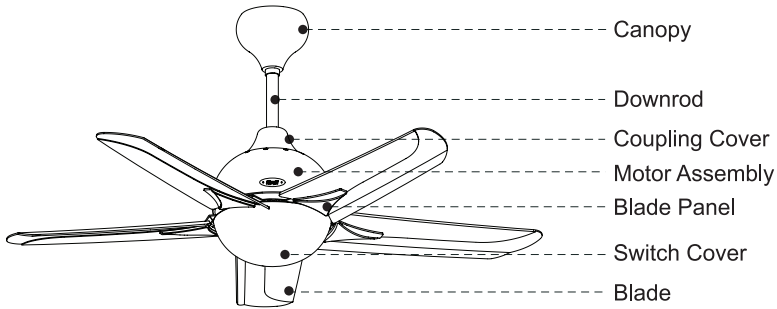
Balancing Clip x 1	Balancing Metal x 2

Note :

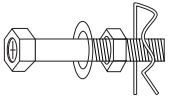
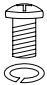


The illustrations in this manual are for explanation purposes only and may differ from the actual unit. It is subjected to change without prior notice for further improvements.

Parts & Accessories - 838/5B



Item	Qty
1. Canopy	1
2. Downrod Assembly with Rubber Pulley	1
3. Coupling Cover	1
4. Motor Assembly	1
5. Blades Panel	5
6. Switch Housing	1
7. Blades	5
8. Remote Control Transmitter and Holder	1
9. Assembly Kit	1
10. Balancing Kit	1



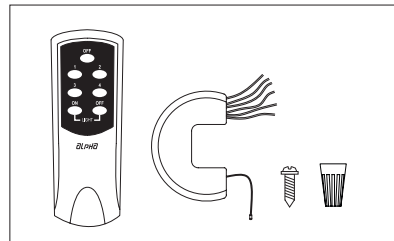
Assembly Kit

			
Bolt x 1	Blade Panel Screw x 16	Blade Holder Screw x 1	Wire Connector x 2

Balancing Kit

	
Balancing Clip x 1	Balancing Metal x 2

Receiver & Transmitter Kit



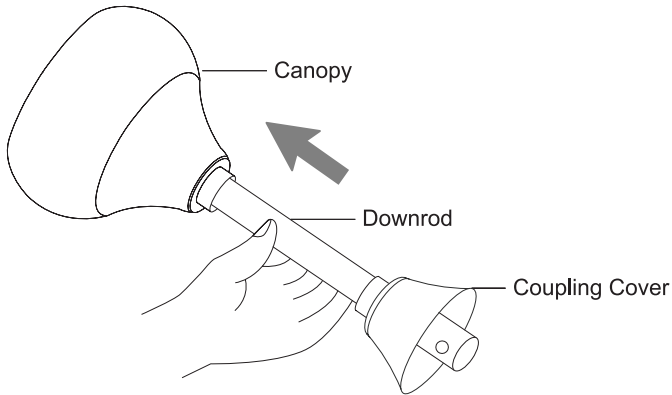
Note :

The illustrations in this manual are for explanation purposes only and may differ from the actual unit. It is subjected to change without prior notice for further improvements.

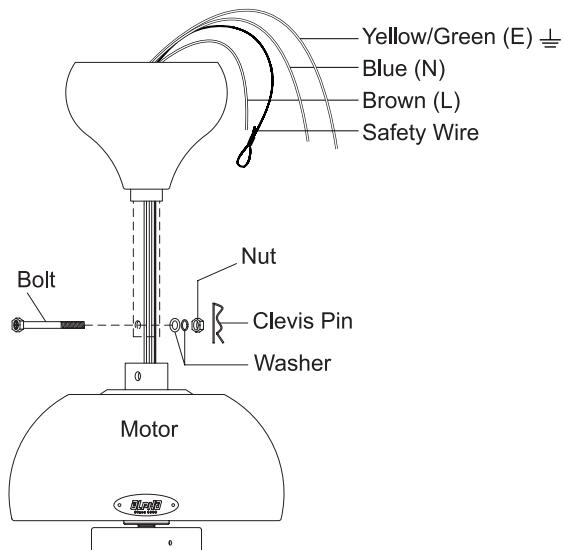
Assembly of Accessories

IMPORTANT : SWITCH OFF THE ELECTRICAL MAINS AT THE CIRCUIT BREAKER FUSE BOX.

Step 1 - Remove the clevis pin, nut and bolt on the rubber pulley. Assemble the canopy and coupling cover on the downrod.

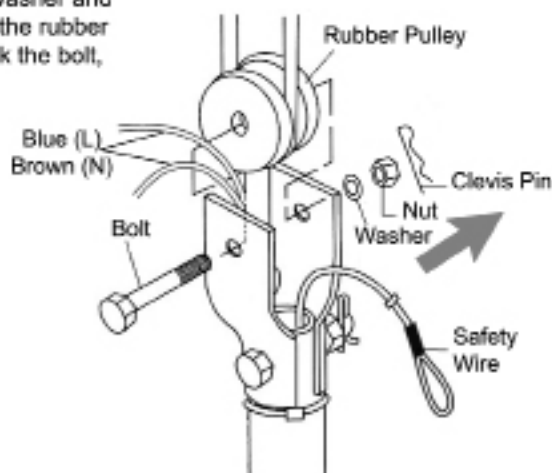


Step 2 - Route the safety wire, blue and brown wires through the downrod. Fix the downrod to the shaft with bolt and nut and tighten them firmly then insert the clevis pin.

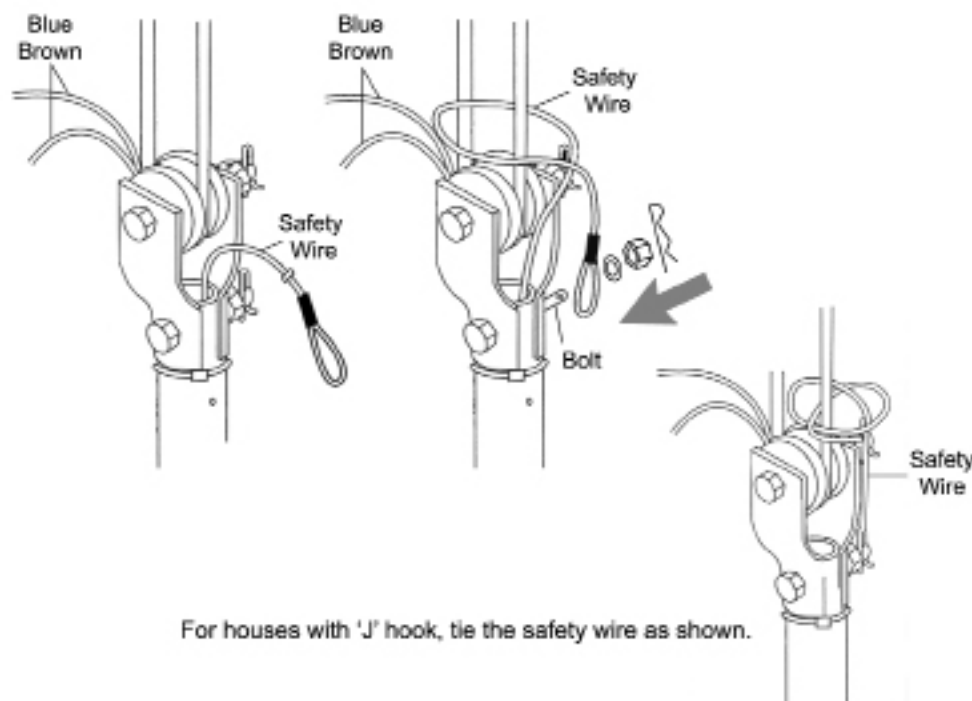


Fan Mounting

Step 3 - Remove the bolt, clevis, nut, washer and rubber pulley from the downrod. Place the rubber pulley onto the ceiling hook and fix back the bolt, clevis, nut and washer .



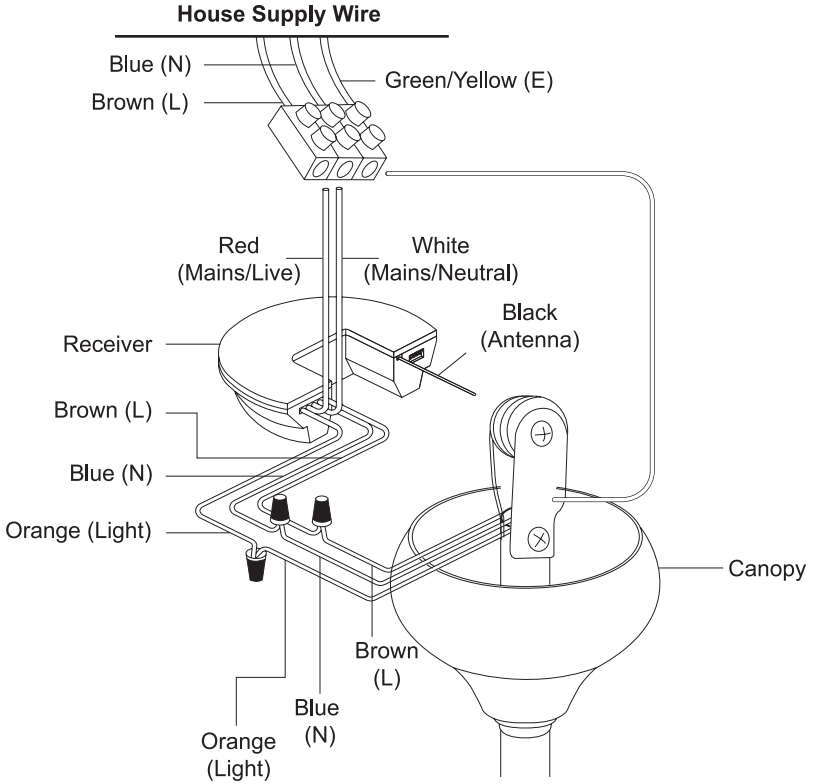
Step 4 - Tie the safety wire across the hook and insert into the bolt and secure with washer, nut and clevis pin.



Wiring & Receiver Connection

The following wiring & receiver connection instruction applies for E-Light 28, 828/5B, 828/3B & 838/5B Remote Control model only.

Step 5 - Connect the brown, blue and orange wire from the receiver to the fan. Connect the red, white (L & N) and green/yellow (E) wires to the house's supply wire.

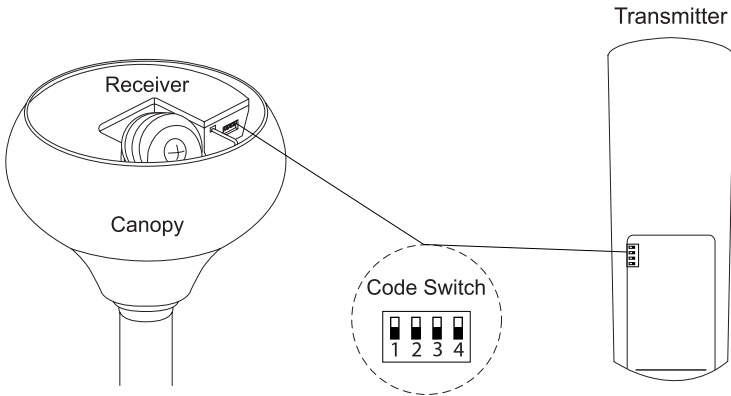


Receiver Connection

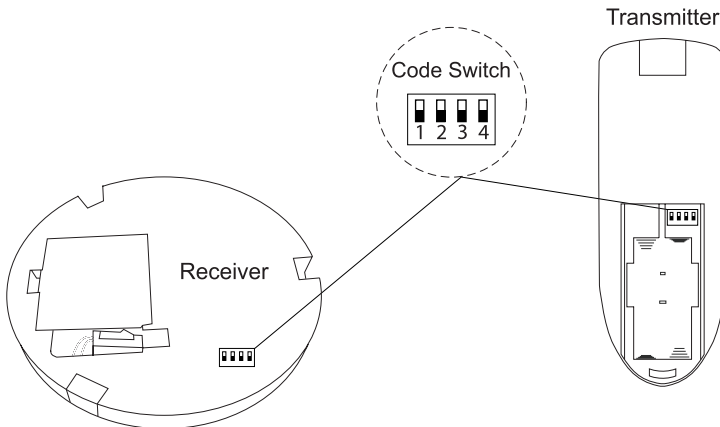
The following receiver connection instruction applies for 828/5B, 828/3B & 838/5B Remote Control model only.

Step 6 - Match the codes on the receiver and transmitter to be at the same mode. To change the code, push the dip switch up or down. Insert the receiver into the canopy and store all wires neatly.

To control 2 or more fans using 1 transmitter, set all receiver's code at the same mode with the transmitter.



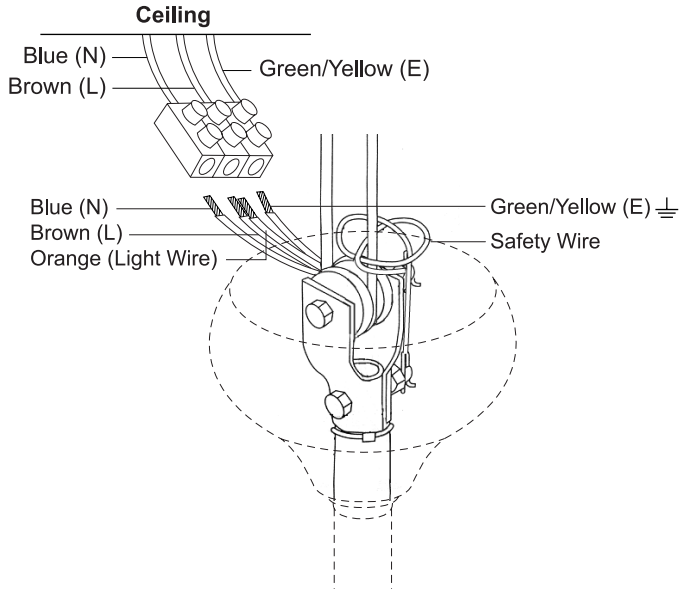
The following receiver connection instruction applies for model E-Light 28 only.



Wiring Connection

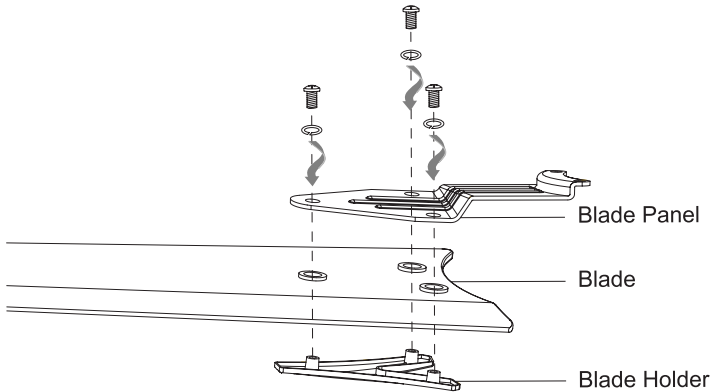
The following wiring connection instruction applies for model 828/3B Regulator Control only.

Step 7 - Connect the blue & brown wire from the fan motor to the house's supply wire. Diagram shows a complete assembly of the ceiling fan with safety wire mounted on the hook.



Assembly of Blades

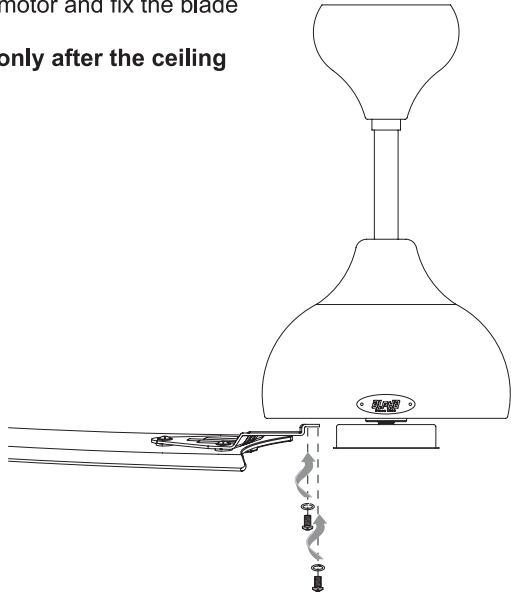
Step 8 - Align the 3 holes on the blade panel, blade and blade holder and screw on with the screws provided.



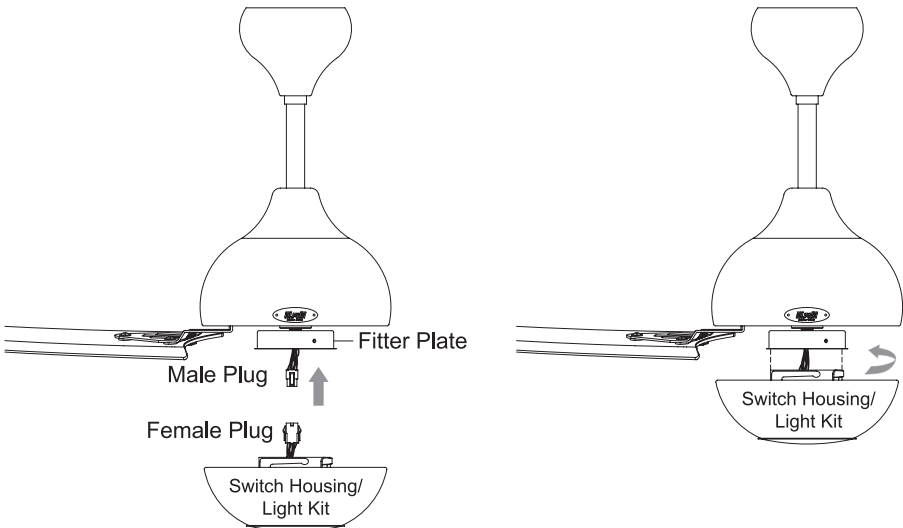
Assembly of Blades & Switch Housing

Step 9 - Remove the screws at the motor and fix the blade to the motor using these screws.

Important : Assemble the blades only after the ceiling fan is mounted on the hook.

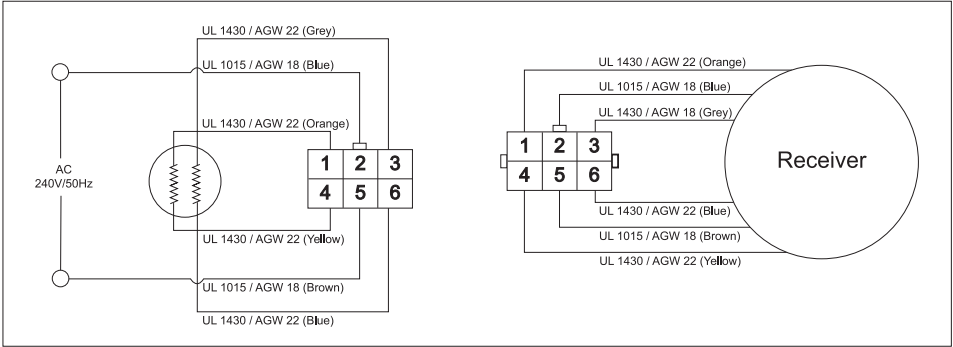


Step 10 - Connect the male plug on fitter plate to female plug in switch housing. Install the switch housing/light kit by aligning with the fitter plate and twist in.

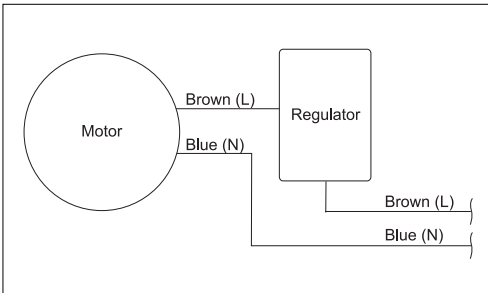


Circuit Diagram

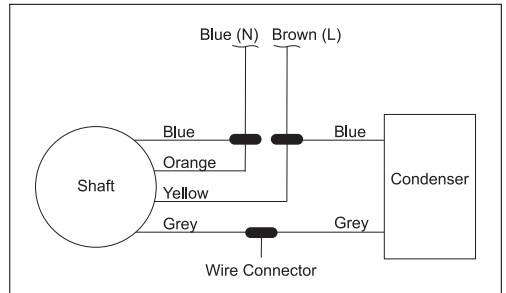
Receiver wire connection diagram



Regulator wire connection diagram



Top View of Motor Terminal

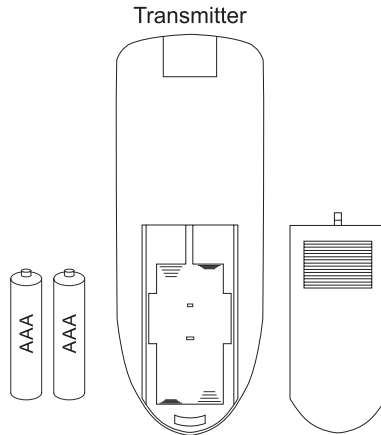


Transmitter Assembly & Operation

IMPORTANT : DO NOT CONNECT THIS REMOTE CONTROL CEILING FAN TO DIMMER SWITCH OR WALL REGULATOR.

The following instruction applies for E-Light 28 Remote Control model only.

Insert the 2 pcs batteries (provided) into the transmitter.

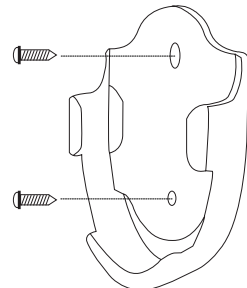


Function of transmitter for E-Light 28

- LIGHT - On/Off Emergency Light
- 3Hr - Fan stops after 3hr
- 6Hr - Fan stops after 6hr
- OFF - Turn off the fan
- 1 - Low Speed
- 2 - Medium Speed
- 3 - High Speed
- 4 - Highest Speed



Mount the remote control holder on the wall with the screws provided.

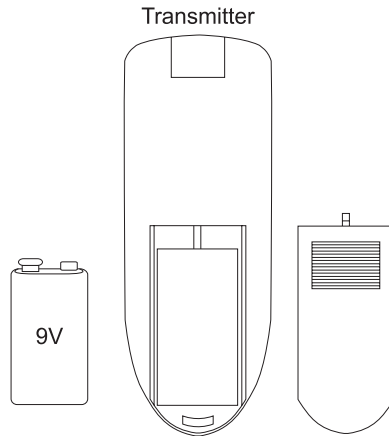


Transmitter Assembly & Operation

IMPORTANT : DO NOT CONNECT THIS REMOTE CONTROL CEILING FAN TO DIMMER SWITCH OR WALL REGULATOR.

The following instruction applies for 828/5B Remote Control model only.

Insert the 9V battery (provided) into the transmitter.

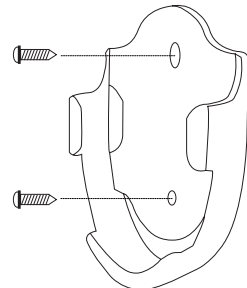


Function of transmitter for 828/5B

- 1Hr - Fan stops after 1hr
- 3Hr - Fan stops after 3hr
- 6Hr - Fan stops after 6hr
- OFF - Turn off the fan
- 1 - Low Speed
- 2 - Medium Speed
- 3 - High Speed
- 4 - Highest Speed



Mount the remote control holder on the wall with the screws provided.

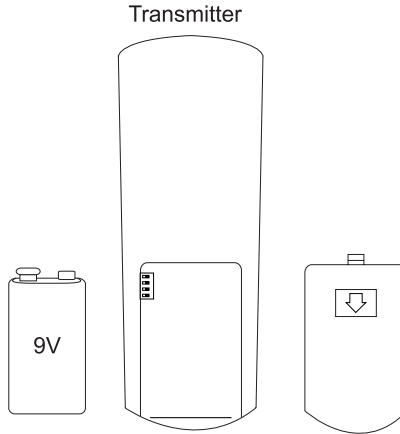


Transmitter Assembly & Operation

IMPORTANT : DO NOT CONNECT THIS REMOTE CONTROL CEILING FAN TO DIMMER SWITCH OR WALL REGULATOR.

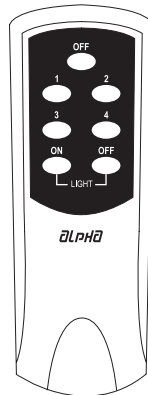
The following instruction applies for 828/3B & 838/5B Remote Control model only.

Insert the 9V battery (provided) into the transmitter.

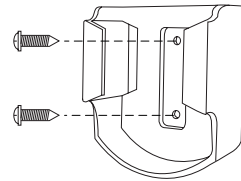


Function of transmitter for 828/3B & 838/5B

- OFF - Turn off the fan
- 1 - Low speed
- 2 - Medium speed
- 3 - High speed
- 4 - Highest speed
- Light ON - Turn on light kit (if any)
- Light OFF - Turn off light kit (if any)



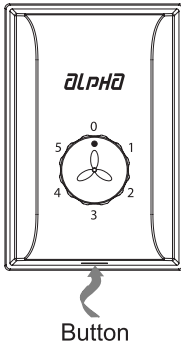
Mount the remote control holder on the wall with the screws provided.



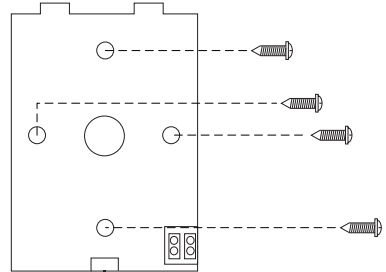
Regulator Assembly & Operation

The following instruction applies for 828/3B Regulator model only.

Step 1 - Remove the regulator cover using a test pen and push the button shown below.



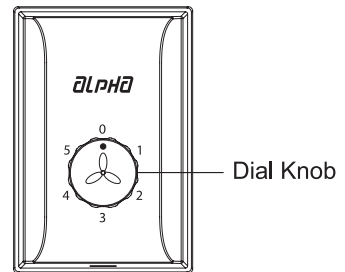
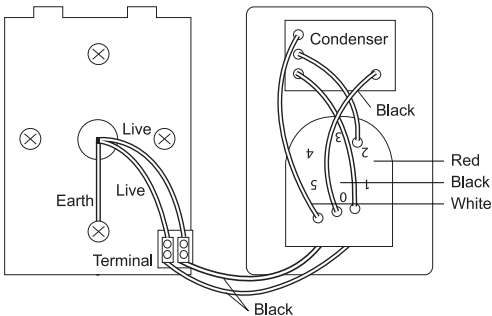
Step 2 - Mount the regulator base on the wall with the screws provided.



Step 3 - Connect the live & earth wire from the house supply to the terminal.

Function of the Regulator

Turn the dial knob to select the fan speed.



Emergency Light User Guide

The Emergency Light is equipped with 4 x AA rechargeable batteries.

During no current supply or blackout :

- the emergency light will be turn on immediately.
- the emergency light will be lilted for approximately 6 hours.
- to turn off the emergency light, press the LIGHT button on the transmitter.

Charging of battery

- automatically charge when there is current supply.

Maintenance

Due to the fan's natural movement, connetions may get loose after a period of usage. To ensure a proper and safety usage, it is highly recommended to inspect and tighten all connections every 6 months.

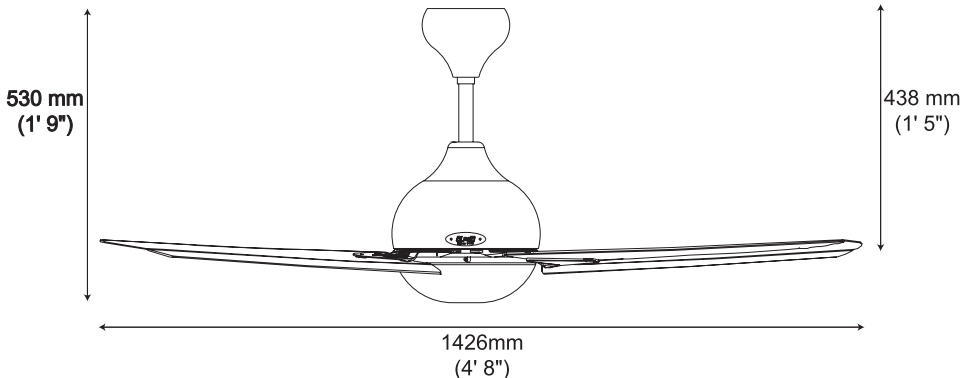
Cleaning

Cleaning your fan periodically will prolong its new appearance. Basic cleaning procedures are as follows :

1. Use only lukewarm water. Do not use detegent, corrosive or acidic solution.
2. Damp the cloth lightly. Use only soft or lint-free cloth to clean the fan. Rough fabric will scratch the surface.
3. Apply a thin coat of furniture polish to the wooden blades will protect and enhance the appearance.
4. To cover small scratches, apply a light coat of shoe polish over it.
5. There is no need to oil the fan.

Technical Specifications

Model	E-Light 28	828/5B	828/3B	838/5B
No. of blades	5		3	5
Fan width	56"			40"
Motor R.P.M.	120 - 250		160 - 300	
Voltage	240V 50Hz			
Wattage	20 - 80W			



Technical Specifications

