

*ALPHA Fan*<sup>TM</sup>

# Instruction Manual

**CEILING FAN**  
*Model : VIVA PLUS*

# TABLE OF CONTENT

Item	Page No.
1. Safety Precaution .....	1
2. Parts & Accessories .....	2
3. Installation Instruction .....	3 - 6
4. Transmitter Assembly & Function .....	7
5. Power Supply Connection & Circuit Diagram .....	7 - 8
6. Maintenance .....	9
7. Technical Specifications .....	9
8. Customer Service Centre .....	10

## SAFETY PRECAUTION

### IMPORTANT : PLEASE READ BEFORE INSTALLATION.

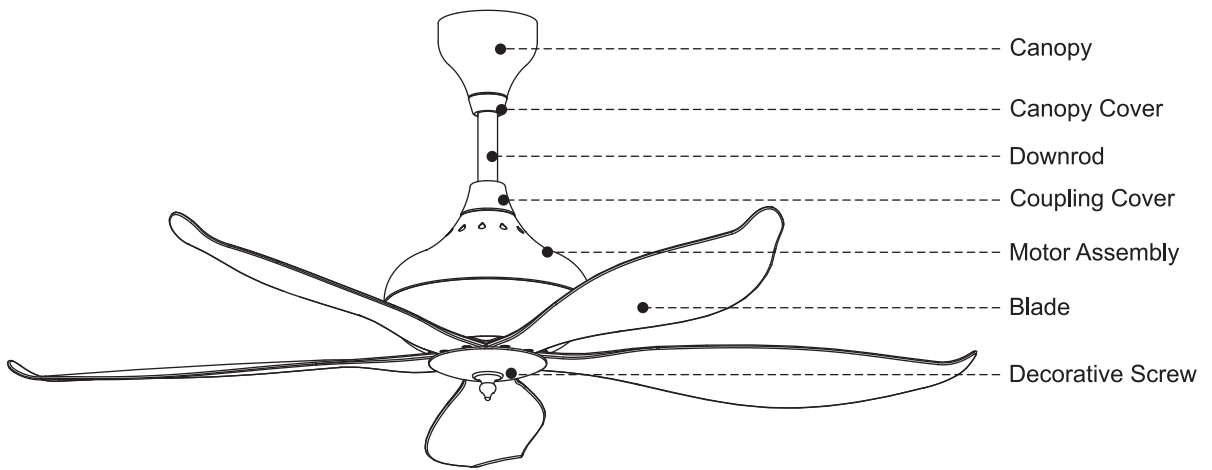
1. Installation must be carried out by a qualified wiring installer.
2. Turn off the electrical mains at the circuit breaker fuse box.
3. Do not use power supply other than 240V 50Hz.
4. The appliance must be permanently connected to the electricity supply through a double pole switch having a contact separation of at least 3mm in all poles.
5. Do not connect ceiling fan to any dimmer switch or regulator.
5. When mounting the fan, ensure that the safety wire is loop across the ceiling mounting hook.
6. The ceiling mounting hook must be able to withhold a min. of 35 pounds.
7. The ceiling fan must be mounted at a min. height of 8.2 feet / 2.5m of clearance from the floor and 3 feet / 1m from the wall to the blade.
8. Do not install at areas/places near/at
  - a) chemicals and alkali
  - b) flammable area such as gas cooker
  - c) oily places
  - d) wet and high humidity area such as shower room
  - e) high vibration/impact and continuously expose to direct wind
9. Do not place any objects in the path of the blades.
10. When all electrical connections are done, store all wires neatly.
11. Make sure that all screws and connection are tighten till snug.

## Warning

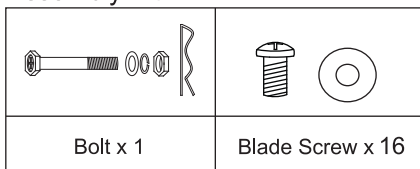
This product is designed to use only those parts supplied with this product and/or accessories designated specifically for use with this product. Using parts and/or accessories not designated for use with this product could result in personal injury or property damage.

# PARTS & ACCESSORIES

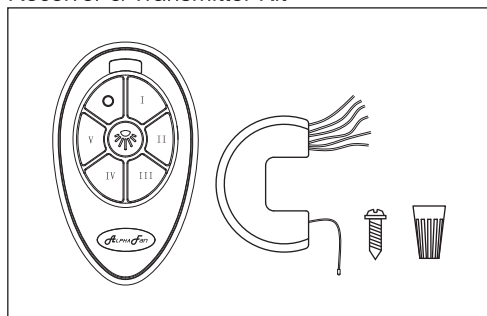
Item	Qty
1. Canopy	1
2. Canopy Cover	1
3. Downrod Assembly with Rubber Pulley	1
4. Coupling Cover	1
5. Motor Assembly	1
6. Blade	5
7. Decorative Screw	1
8. Assembly Kit	1



## Assembly Kit



## Receiver & Transmitter Kit



## Note

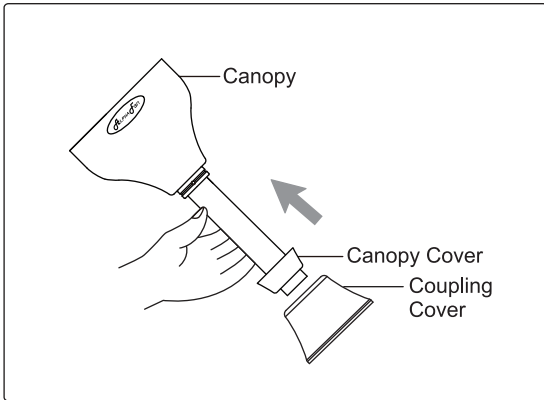
The illustrations in this manual are for explanation purposes only and may differ from the actual unit. It is subjected to change without prior notice for further improvements.

# INSTALLATION INSTRUCTION

**IMPORTANT : SWITCH OFF THE ELECTRICAL MAINS AT THE CIRCUIT BREAKER FUSE BOX.**

## Step 1

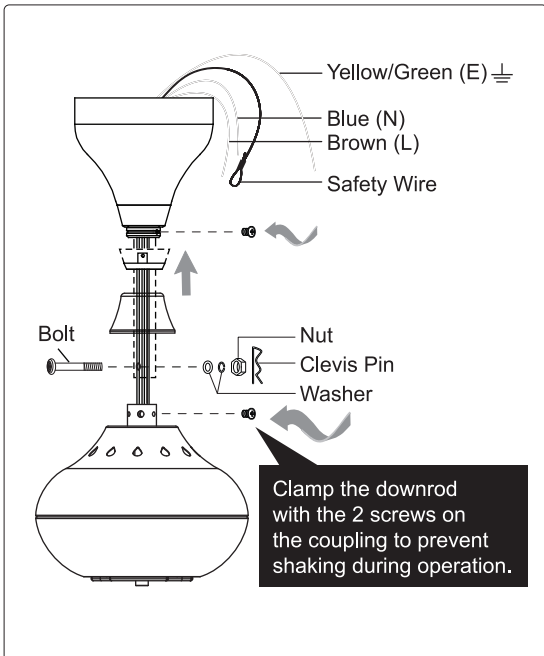
Remove the bolt and clevis pin on the downrod and assemble the canopy, canopy cover and coupling cover through the downrod.



## Step 2

Route all the wires from the motor through the downrod. Fix the downrod to the coupling with bolt, washer, nut and tighten them firmly then insert the clevis pin.

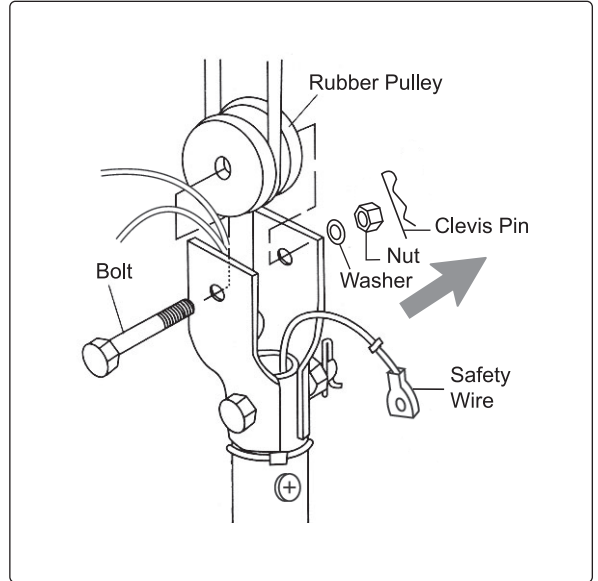
**IMPORTANT : Clevis pin MUST be inserted to prevent nut from loosening.**



## Step 3

Remove the bolt and rubber pulley from the downrod and place it onto the ceiling mounting hook.

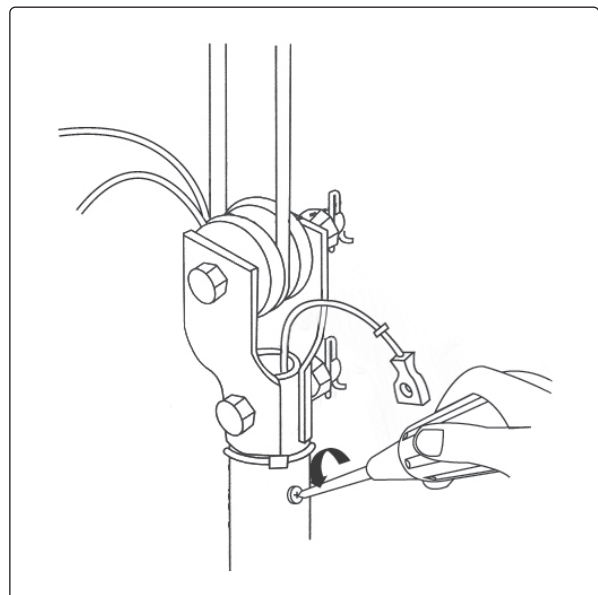
**IMPORTANT : Clevis pin MUST be inserted to prevent nut from loosening.**



## Step 4

Remove the safety wire screw and spring washer from the downrod.

**IMPORTANT : Clevis pin MUST be inserted to prevent nut from loosening.**

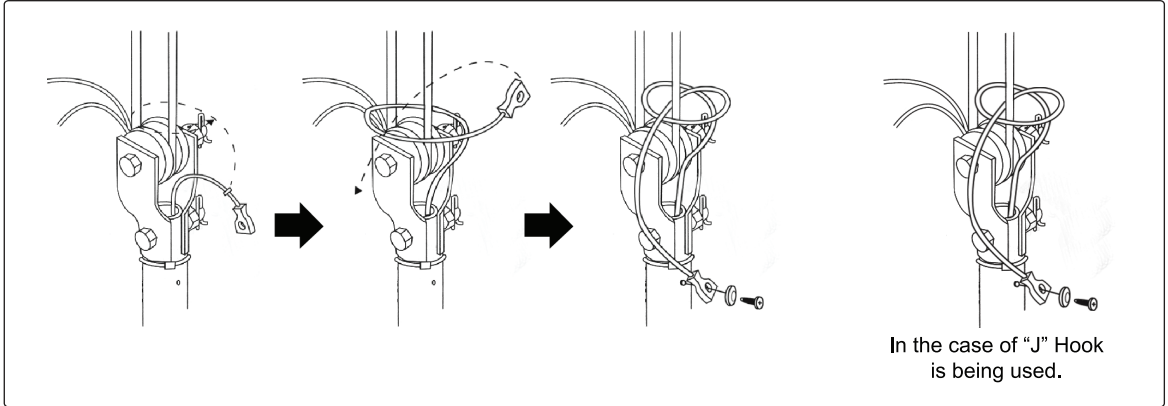


# INSTALLATION INSTRUCTION

**IMPORTANT : SWITCH OFF THE ELECTRICAL MAINS AT THE CIRCUIT BREAKER FUSE BOX.**

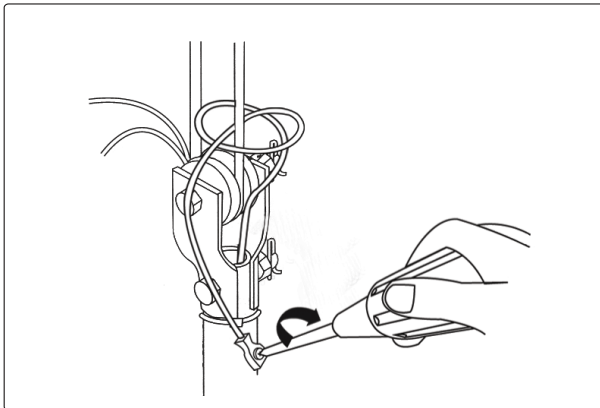
## Step 5

Tie the safety wire across the hook as shown.



## Step 6

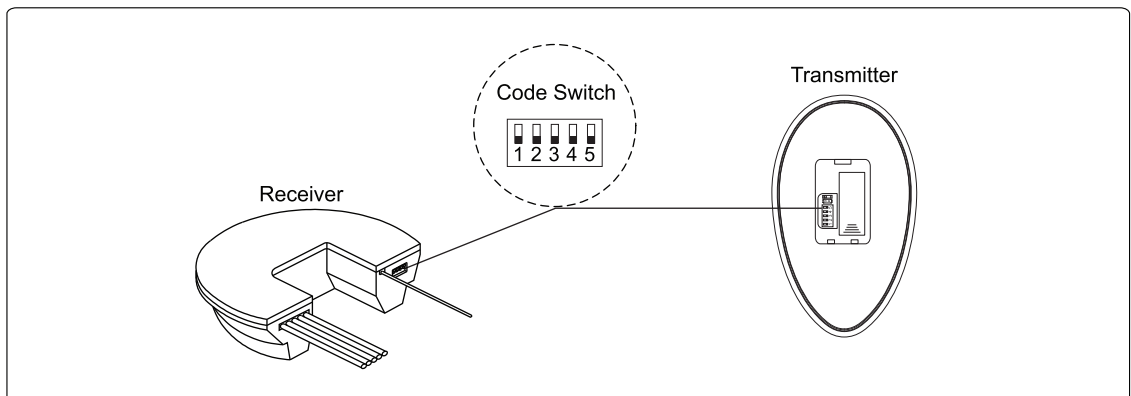
Firmly screw the safety wire with spring washer onto the downrod.



## Step 7

To control the fan, the codes on both receiver and transmitter must be at the same mode.

- a) To change the code, push the code switch up or down.
- b) To control 2 or more fans using 1 transmitter, set all receiver's code at the same mode with transmitter.

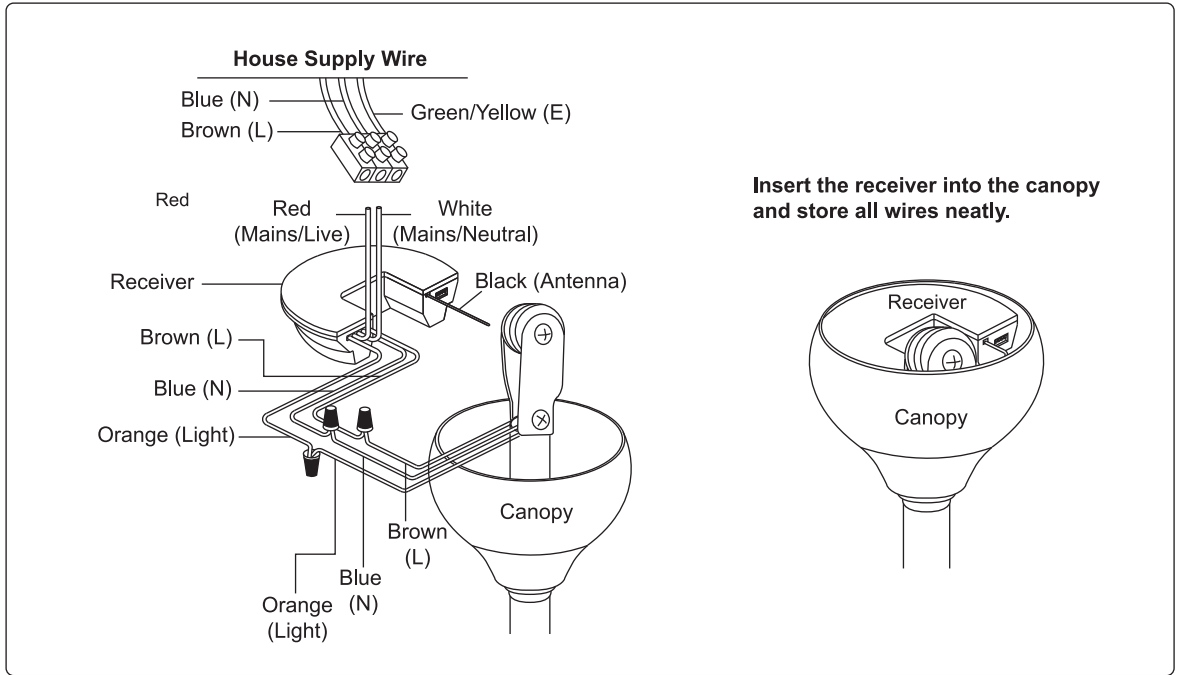


# INSTALLATION INSTRUCTION

**IMPORTANT : SWITCH OFF THE ELECTRICAL MAINS AT THE CIRCUIT BREAKER FUSE BOX.**

## Step 8

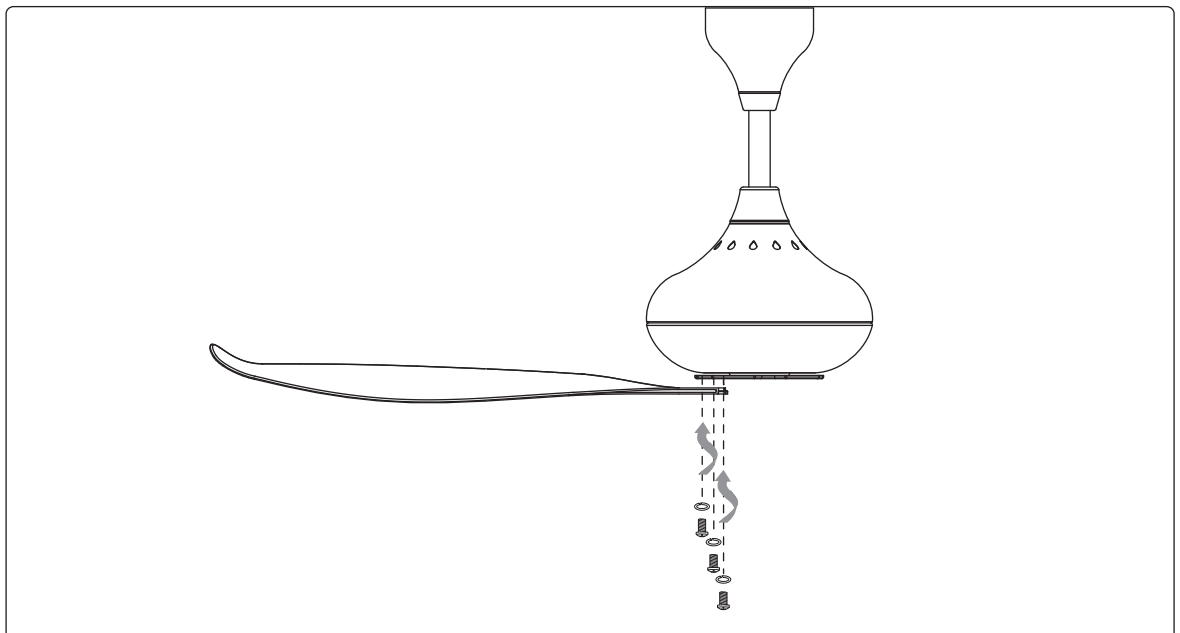
Connect the brown, blue and orange wires from the receiver to the fan. Connect the red, white and green wires to the house's supply wire.



## Step 9

Remove the screws at the motor and fix the blade to the motor using these screws.

**IMPORTANT : Assemble the blades only after the ceiling fan is mounted on the hook.**

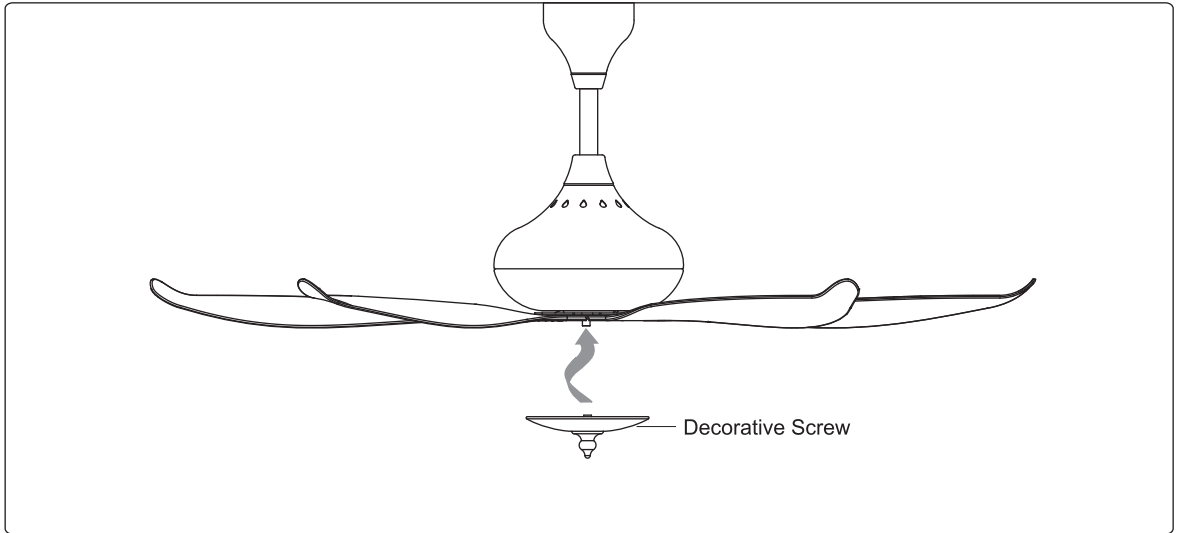


# INSTALLATION INSTRUCTION

**IMPORTANT : SWITCH OFF THE ELECTRICAL MAINS AT THE CIRCUIT BREAKER FUSE BOX.**

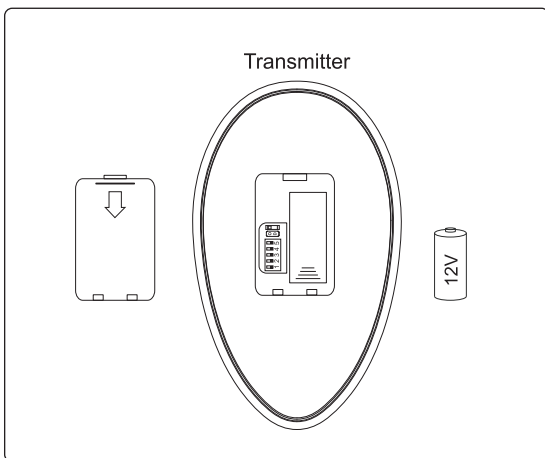
## Step 10

Install the decorative screw to the fan.

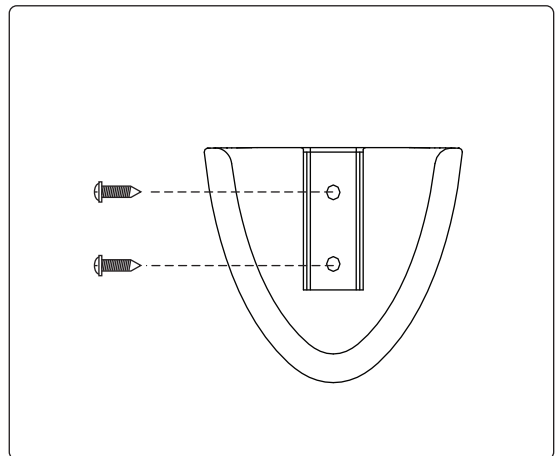


## TRANSMITTER ASSEMBLY

Insert the 1 pcs 12V battery (provided) into the transmitter.

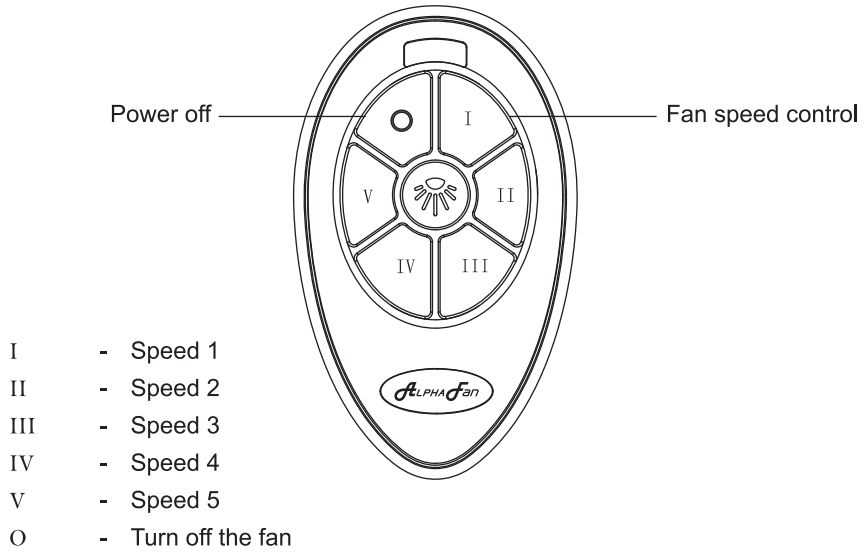


Mount the remote control holder on the wall with screws provided.

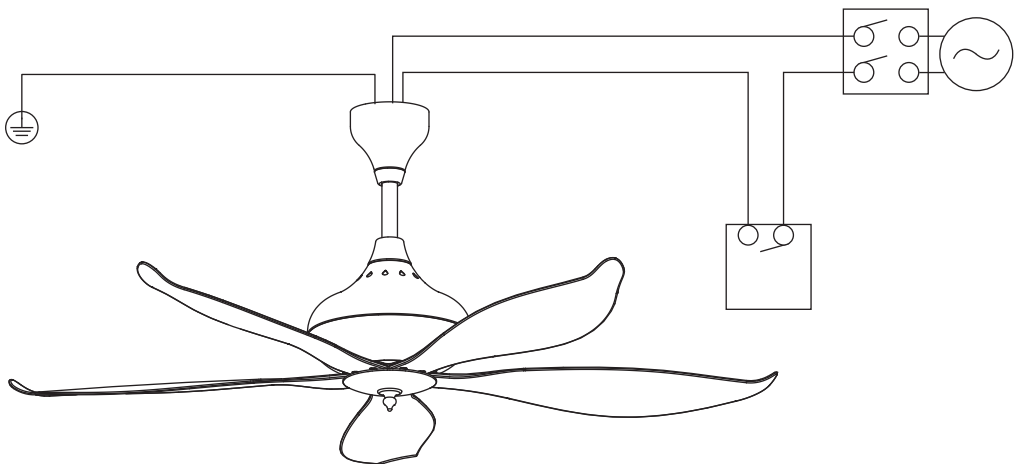


# TRANSMITTER FUNCTION

**IMPORTANT : DO NOT CONNECT THIS REMOTE CONTROL CEILING FAN TO REGULATOR OR DIMMER SWITCH.**



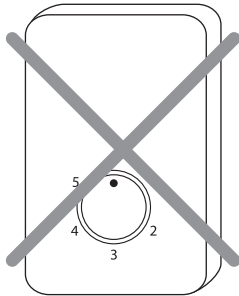
# POWER SUPPLY CONNECTION



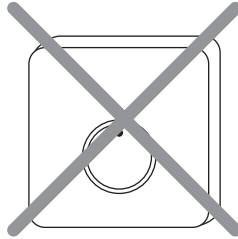


# POWER SUPPLY CONNECTION

**IMPORTANT : DO NOT CONNECT THIS REMOTE CONTROL CEILING FAN TO REGULATOR OR DIMMER SWITCH.**

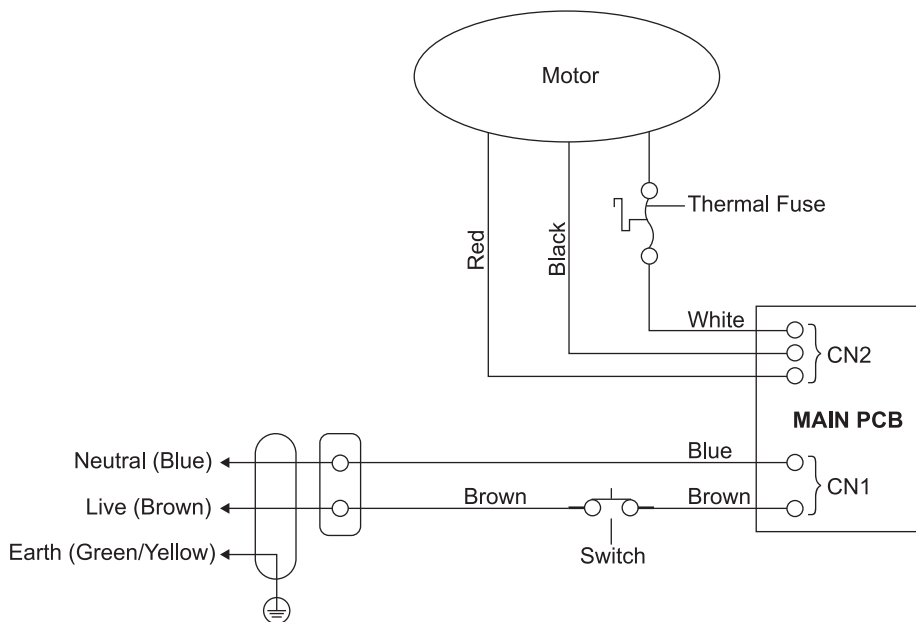


Regulator



Dimmer Switch

## CIRCUIT DIAGRAM



# MAINTENANCE

**IMPORTANT : SWITCH OFF THE ELECTRICAL MAINS AT THE CIRCUIT BREAKER FUSE BOX.**

Due to the fan's natural movement, connections may get loose after a period of usage. To ensure a proper and safety usage, it is highly recommended to inspect and tighten all connections every 6 months.

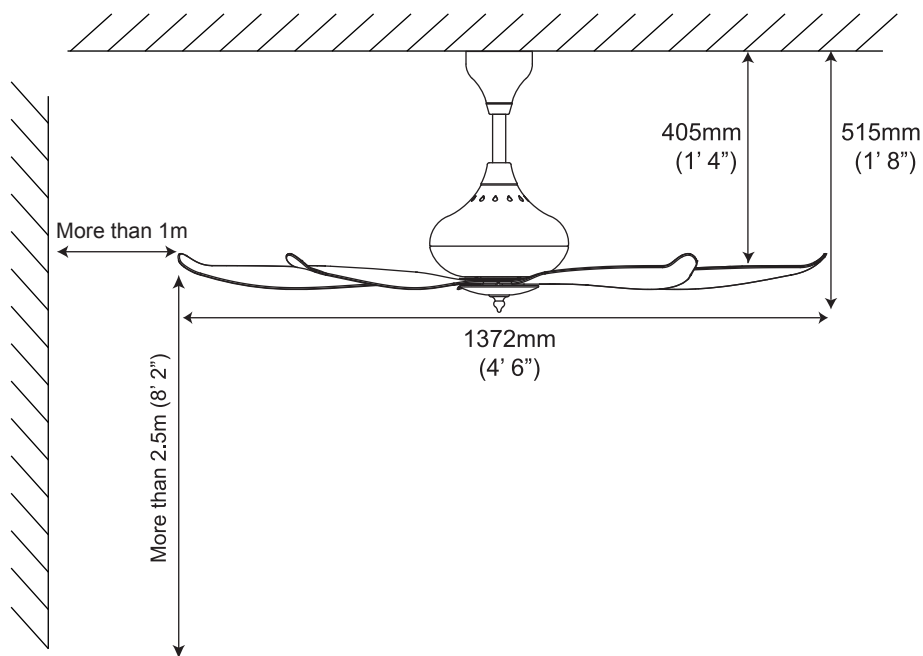
## Cleaning

Cleaning your fan periodically will prolong its new appearance. Basic cleaning procedures are as follows :

1. Use only water and mild soap. Do not use solvents, corrosive or acidic solution.
2. Damp the cloth lightly. Use only soft or lint-free cloth to clean the fan. Rough fabric will scratch the surface.
3. Do not bent the blades while cleaning. At the event where blades are bent or damage, order new set of blades from service center or dealer shop.
4. There is no need to oil the fan.

## TECHNICAL SPECIFICATIONS

Model	Viva Plus
No. of blades	5
Fan width	54"
Motor RPM	100 - 210
Voltage	240V 50Hz
Wattage	25W - 75W



# CUSTOMER SERVICE CENTRE

If you need any technical assistance or faulty report, please contact our customer service centre at :

**Alpha Home Appliances Sdn. Bhd.** (390258-H)

Head Office : 6, Jalan Sungai Kayu Ara 32/37, Berjaya Park, Sect 32,  
40460 Shah Alam, Selangor.

Tel : 03-5740 6666 Fax : 03-5740 8220  
Website : [www.alphamalaysia.com](http://www.alphamalaysia.com) Email : [info@alphamalaysia.com](mailto:info@alphamalaysia.com)

Johor Bahru : 71, Jalan Molek 3/10, Taman Molek, 81100 Johor Bahru.  
Tel : 07-353 4833 / 4933 Fax : 07-355 4233

Melaka : G-8, Jalan PM3, Plaza Mahkota, 75000 Melaka.  
Tel : 06-292 2398 / 2399 Fax : 06-292 2392

Ipoh : 16, Jalan Tasek Timur, Taman Tasek Indra, 31400 Ipoh, Perak.  
Tel : 05-545 2282 / 547 2282 Fax : 05-547 6282

Penang : 2744, Ground Floor, Jalan Chain Ferry, Taman Inderawasih, 13600 Prai.  
Tel : 04-397 9923 / 9920 Fax : 04-397 9690

Pahang : A131, TK1, Jalan Wang Ah Jang, Taman Liza, 25100 Kuantan, Pahang.  
Tel : 09-516 5226 Fax : 09-513 9226