

***ALPHA Fan***™

# **Instruction Manual**

**CEILING FAN**

*Model : FERRO*

# TABLE OF CONTENT

| Item   | Page No. |
|--|----------|
| 1. Safety Precaution .....                                 | 1        |
| 2. Parts & Accessories .....                               | 2        |
| 3. Installation Instruction .....                          | 3 - 7    |
| 4. Power Supply Connection .....                           | 8        |
| 5. Circuit Diagram .....                                   | 9        |
| 6. Transmitter Function & Assembly .....                   | 10 - 11  |
| 7. Maintenance .....                                       | 11       |
| 8. Technical Specification & Customer Service Centre ..... | 12       |

## SAFETY PRECAUTION

### IMPORTANT : PLEASE READ BEFORE INSTALLATION.

1. Installation must be carried out by a qualified wiring installer.
2. Turn off the electrical mains at the circuit breaker fuse box.
3. Do not use power supply other than 240V 50Hz.
4. The appliance must be permanently connected to the electricity supply through a double pole switch having a contact separation of at least 3mm in all poles.
5. Do not connect ceiling fan to any dimmer switch or regulator.
5. When mounting the fan, ensure that the safety wire is loop across the ceiling mounting hook.
6. The ceiling mounting hook must be able to withhold a min. of 35 pounds.
7. The ceiling fan must be mounted at a min. height of 8.2 feet / 2.5m of clearance from the floor and 3 feet / 1m from the wall to the blade.
8. Do not install at areas/places near/at
  - a) chemicals and alkali
  - b) flammable area such as gas cooker
  - c) oily places
  - d) wet and high humidity area such as shower room
  - e) high vibration/impact and continuously expose to direct wind
9. Do not place any objects in the path of the blades.
10. When all electrical connections are done, store all wires neatly.
11. Make sure that all screws and connection are tighten till snug.

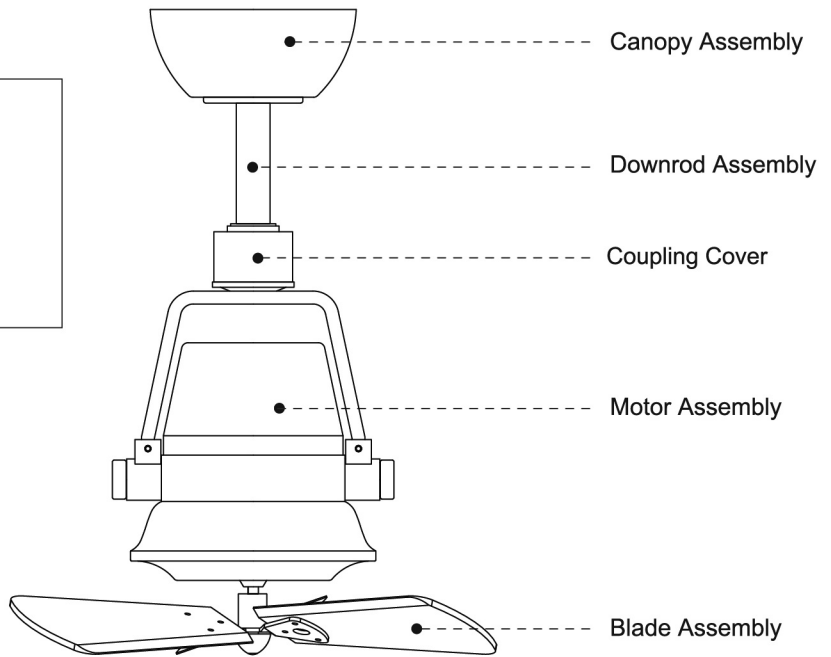
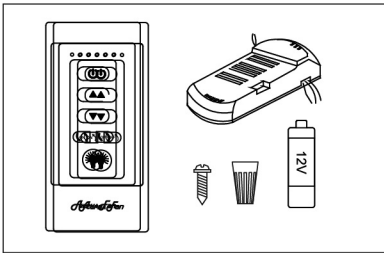
## Warning

This product is designed to use only those parts supplied with this product and/or accessories designated specifically for use with this product. Using parts and/or accessories not designated for use with this product could result in personal injury or property damage.

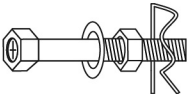
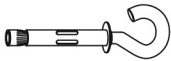



# PARTS & ACCESSORIES

| Item                          | Qty |
|-------------------------------|-----|
| 1. Canopy Assembly            | 1   |
| 2. Downrod Assembly           | 1   |
| 3. Coupling Cover             | 1   |
| 4. Motor Assembly             | 1   |
| 5. Blade Assembly             | 1   |
| 6. Receiver & Transmitter Kit | 1   |
| 7. Assembly Kit               | 1   |

## Receiver & Transmitter Kit



## Assembly Kit

|   |   |  |
|---|---|--|
|  |  |  |
| Bolt x 1  | Expansion 'J' Hook x 1  | Expansion Screws x 4   |
|  |  |  |
| Wire Connector x 2  | Allen wrench x 1  |  |

### Note

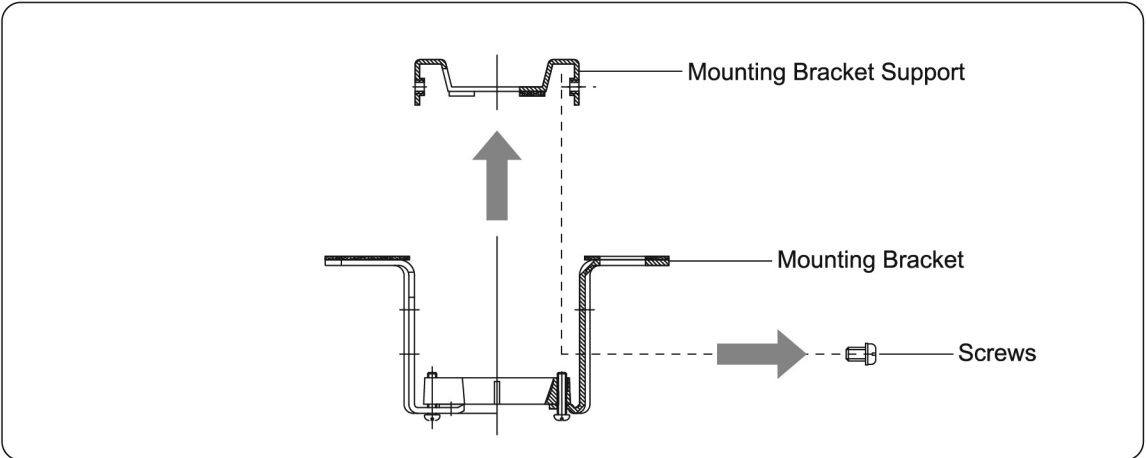
The illustrations in this manual are for explanation purposes only and may differ from the actual unit. It is subjected to change without prior notice for further improvements.

# INSTALLATION INSTRUCTION

**IMPORTANT : SWITCH OFF THE ELECTRICAL MAINS AT THE CIRCUIT BREAKER FUSE BOX.**

## Step 1

Loosen the two screws from the mounting bracket and then remove the mounting bracket support.



## Step 2

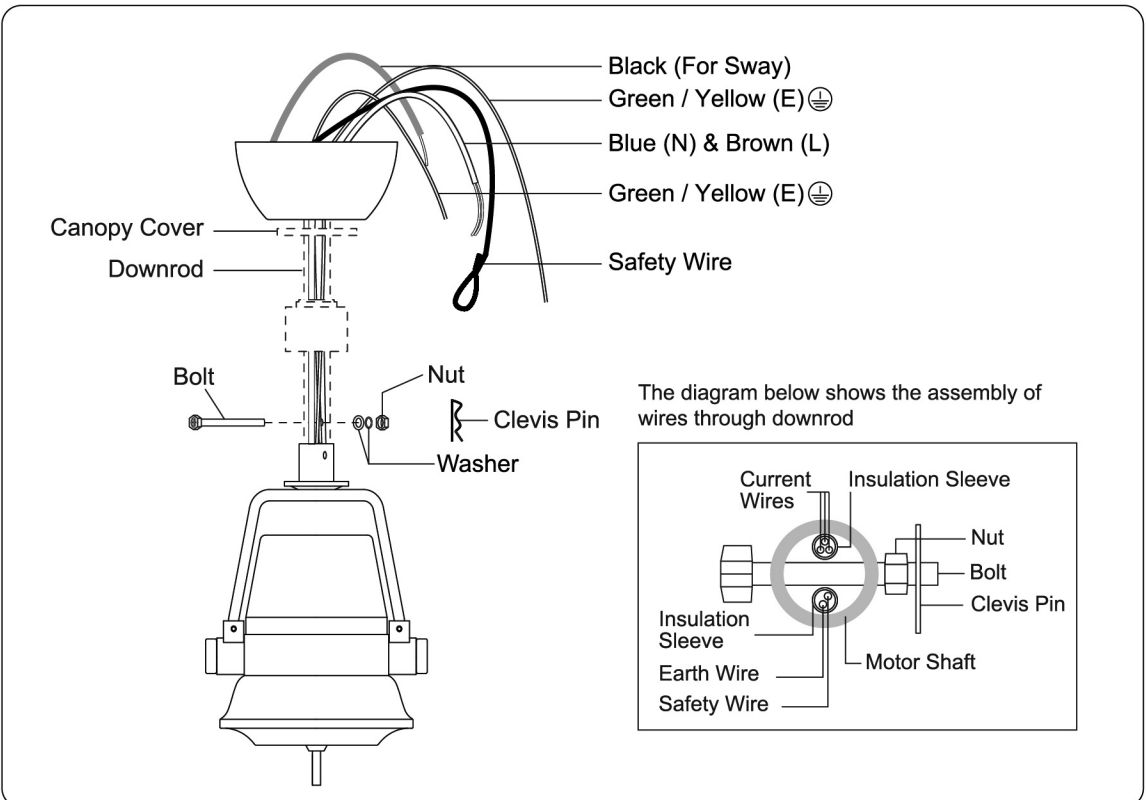
a) Assemble the canopy, canopy cover and coupling cover through the downrod.

b) Route the safety wire, green/yellow, black, blue and brown wires from the motor through the downrod.

**IMPORTANT : Wires route through the downrod should not be stress.**

c) Fix the downrod to the motor shaft with bolt, washer and nut and tighten them firmly then insert the clevis pin.

**Wiring : The supply wires Lives & Neutral must be connected to wall switch (Double poles) having a contact separation at least 3mm in all poles**



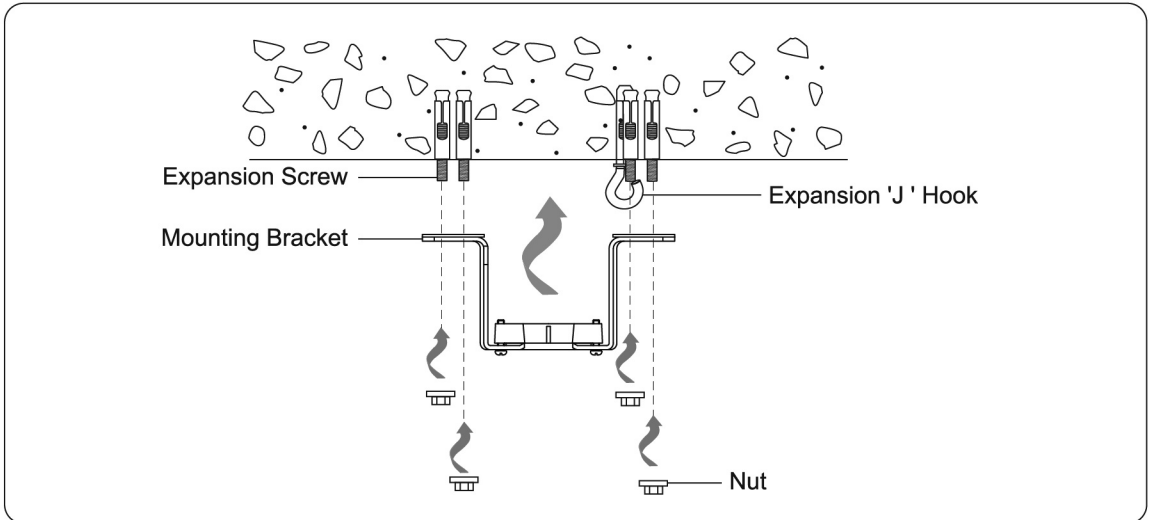
# INSTALLATION INSTRUCTION

**IMPORTANT : SWITCH OFF THE ELECTRICAL MAINS AT THE CIRCUIT BREAKER FUSE BOX.**

## Step 3

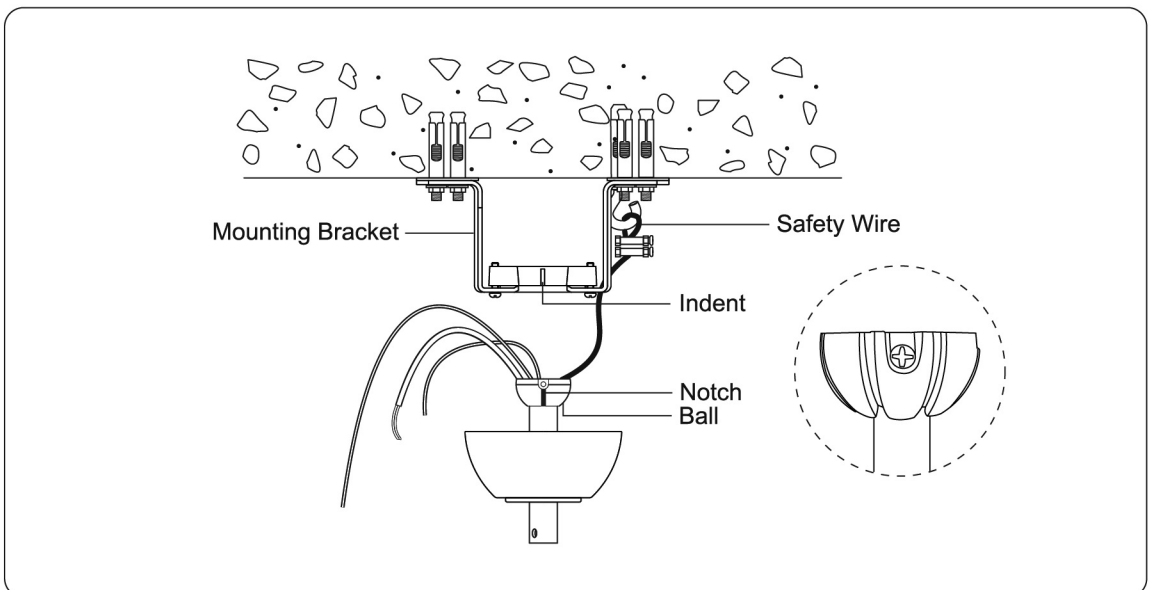
- Drill the 4 expansion screws and 1 expansion 'J' hook provided to the concrete ceiling.
- Align the slotted holes in the mounting bracket with the expansion screws and secure with the washer and nuts.

**IMPORTANT : The expansion screws, expansion 'J' hook and nut must be tightened until snug.**



## Step 4

- Raise the fan and place the ball into the mounting bracket. Align the notch on the ball with the indent in the mounting bracket. There are 8 notches on the hanger ball, this is for multiple adjustments of fan heading direction.
- Rotate the fan to the desired direction. Then align the notch on the ball until you hear the notch pop into place.
- Hook the safety wire onto the expansion 'J' hook and install the safety wire clamp on the mounting bracket.

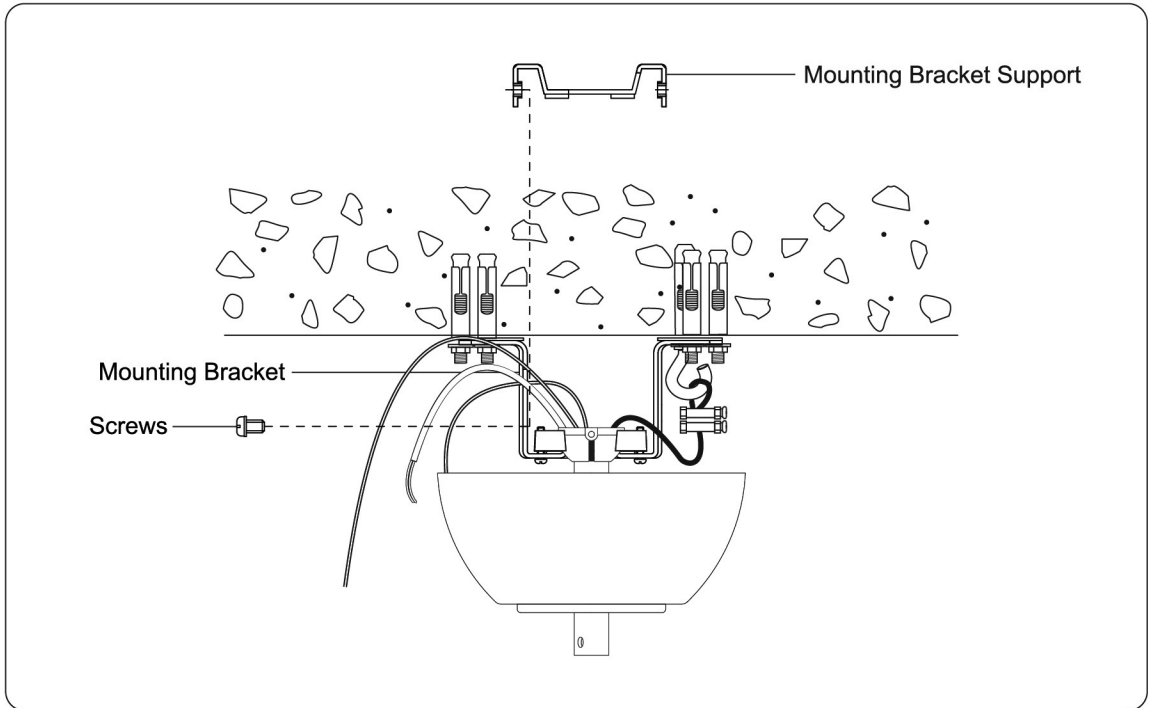


# INSTALLATION INSTRUCTION

**IMPORTANT : SWITCH OFF THE ELECTRICAL MAINS AT THE CIRCUIT BREAKER FUSE BOX.**

## Step 5

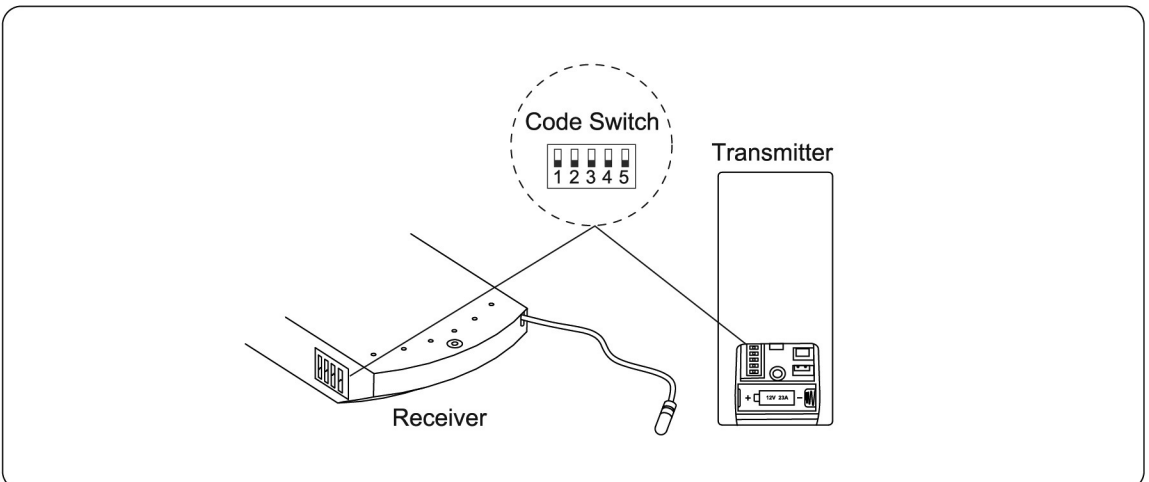
Attach the mounting bracket support to the mounting bracket with the screws provided.



## Step 6

Match the codes on the receiver and transmitter to be the same mode.

- To change the code, push the code switch up or down.
- To control 2 or more fans using 1 transmitter, set all receiver's code at the same mode with transmitter.

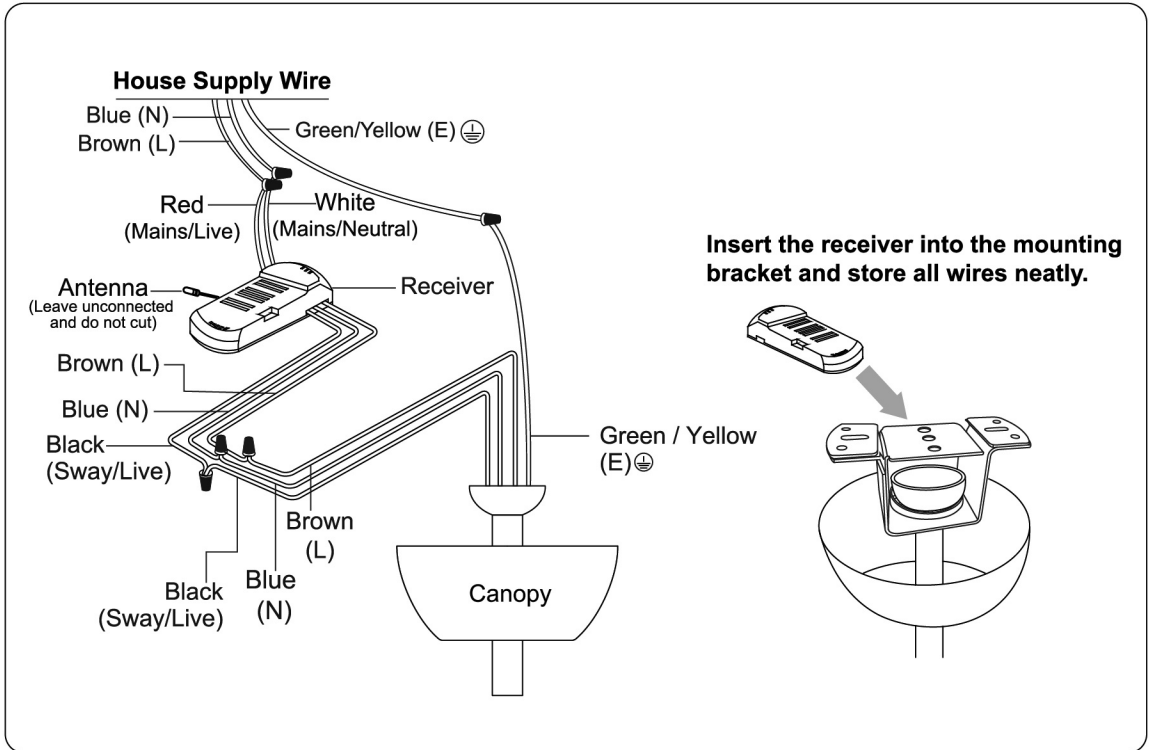


# INSTALLATION INSTRUCTION

**IMPORTANT : SWITCH OFF THE ELECTRICAL MAINS AT THE CIRCUIT BREAKER FUSE BOX.**

## Step

Connect the brown, blue and black wires from the receiver to the fan. Connect the red, white and green/yellow wires to the house's supply wire.



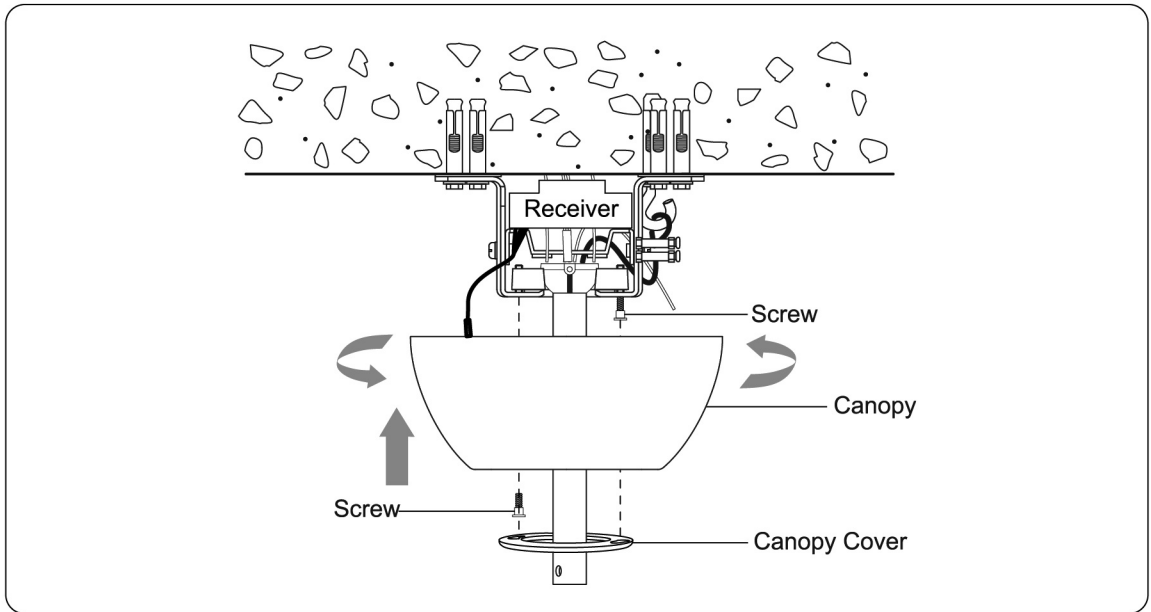
# INSTALLATION INSTRUCTION

**IMPORTANT : SWITCH OFF THE ELECTRICAL MAINS AT THE CIRCUIT BREAKER FUSE BOX.**

## Step 8

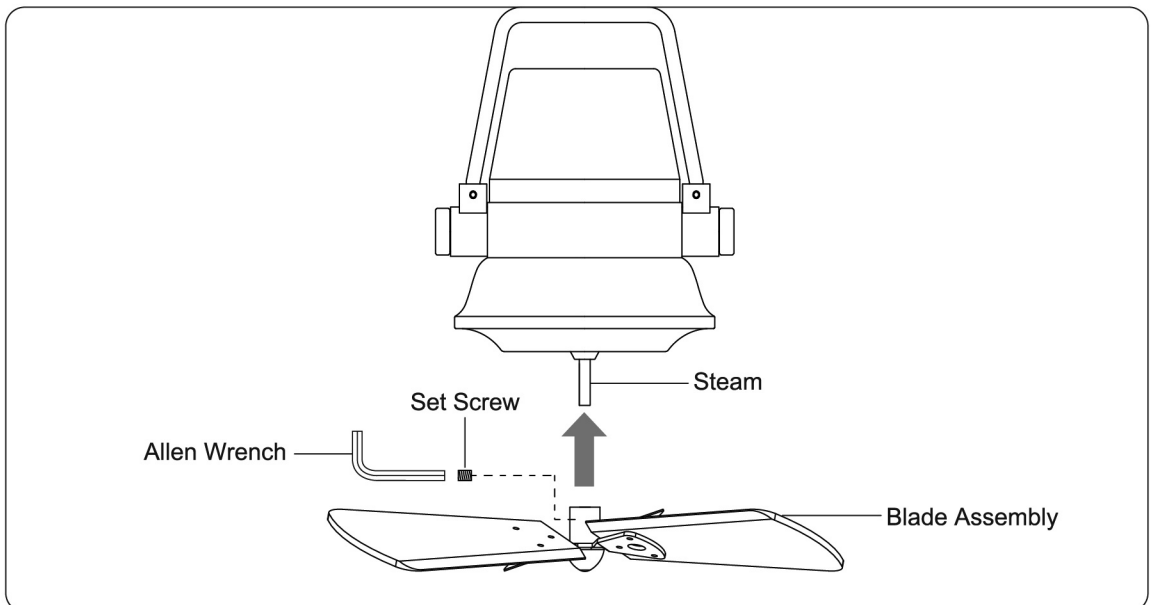
- a) Loosen (do not remove) the two screws on mounting bracket. Slide the canopy up to mounting bracket and place the key hole on the canopy over the screw on the mounting bracket, turn canopy until it locks in place at the narrow section of the key holes.
- b) Align the holes on the canopy with mounting bracket and secure with the two set of screws until snug.

**Note: Canopy and canopy cover must be tighten till snug.**



## Step 9

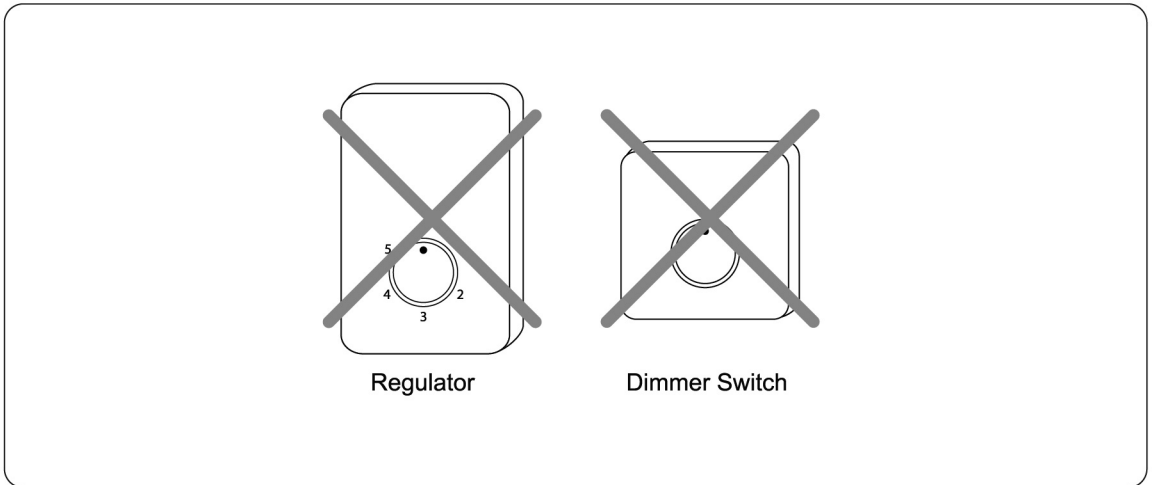
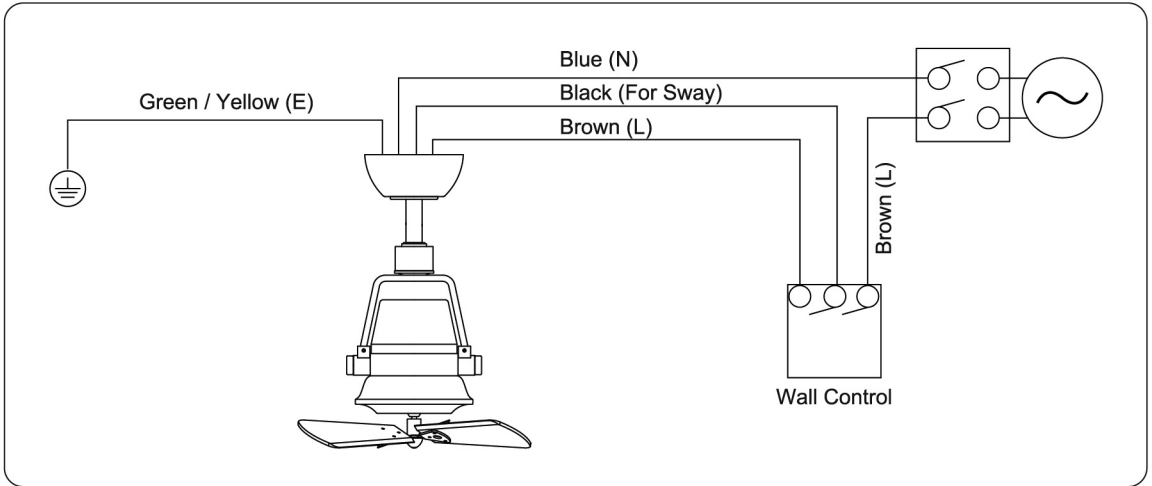
- a) Raise the blade assembly up against the fan motor stem, you need to use the allen wrench to lock your set screw. Be sure tighten securely.



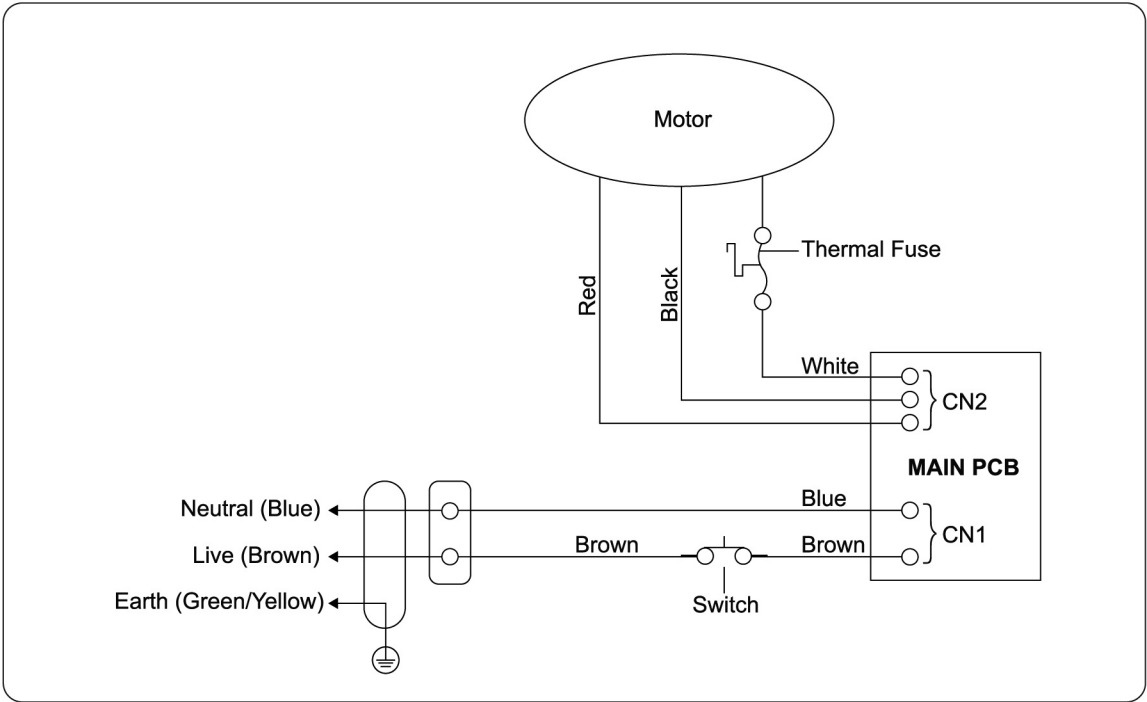


# POWER SUPPLY CONNECTION

**IMPORTANT : DO NOT CONNECT THIS REMOTE CONTROL CEILING FAN TO REGULATOR OR DIMMER SWITCH.**

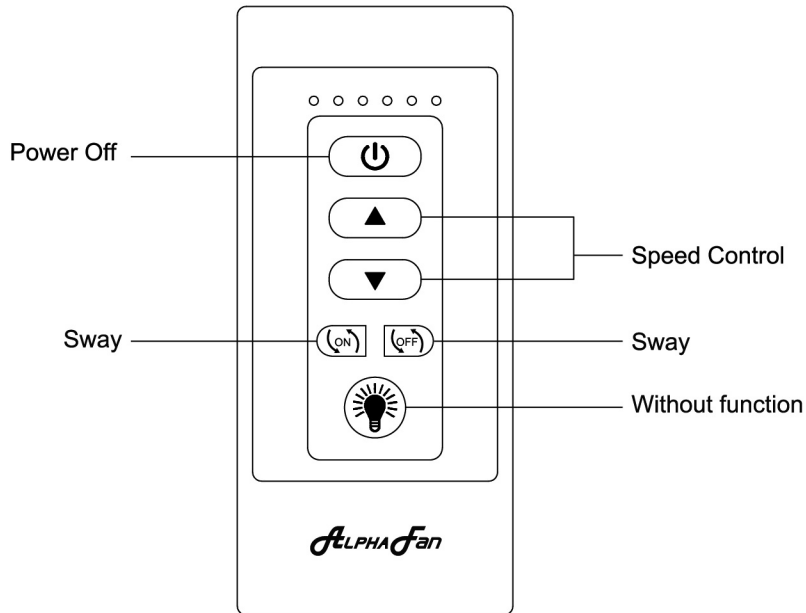



# CIRCUIT DIAGRAM



# TRANSMITTER FUNCTION

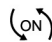
**IMPORTANT : DO NOT CONNECT THIS REMOTE CONTROL CEILING FAN TO REGULATOR OR DIMMER SWITCH.**

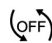



 : Turn on or off the fan

 : Fan speed

 : Fan speed

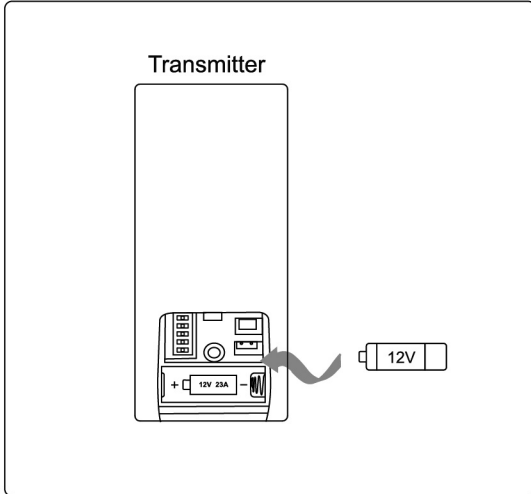
 : Turn on the sway function

 : Turn off the sway function

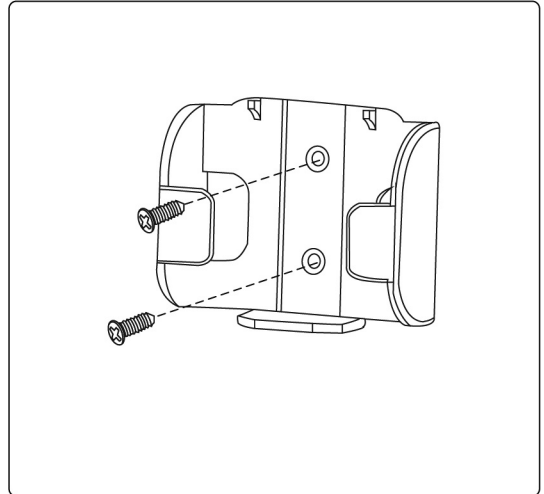
 : Without function

# TRANSMITTER ASSEMBLY

Insert the 1 pc 12V battery (provided) into the transmitter.



Mount the remote control holder on the wall with screws provided.



# MAINTENANCE

**IMPORTANT : SWITCH OFF THE ELECTRICAL MAINS AT THE CIRCUIT BREAKER FUSE BOX.**

Due to the fan's natural movement, connections may get loose after a period of usage. To ensure a proper and safety usage, it is highly recommended to inspect and tighten all connections every 6 months.

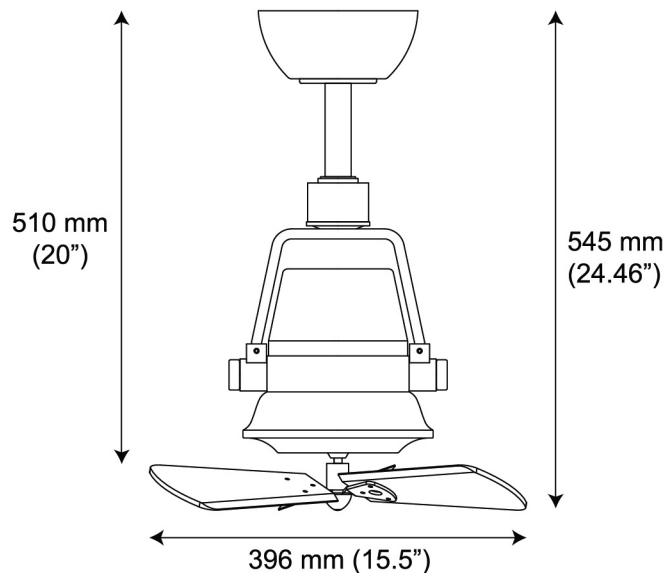
## Cleaning

Cleaning your fan periodically will prolong its new appearance. Basic cleaning procedures are as follows :

1. Use only water and mild soap. Do not use solvents, corrosive or acidic solution.
2. Damp the cloth lightly. Use only soft or lint-free cloth to clean the fan. Rough fabric will scratch the surface.
3. Do not bent the blades while cleaning. At the event where blades are bent or damage, order new set of blades from service center or dealer shop.
4. There is no need to oil the fan.

# TECHNICAL SPECIFICATIONS

|               |            |
|---------------|------------|
| Model         | FERRO      |
| No. of blades | 3          |
| Fan width     | 15.5"      |
| Motor RPM     | 600 - 1200 |
| Voltage       | 240V 50Hz  |
| Wattage       | 20W - 85W  |



## CUSTOMER SERVICE CENTRE

If you need any technical assistance or faulty report, please contact our customer service centre at :

**Alpha Home Appliances Sdn. Bhd.** (390258-H)

Head Office : 6, Jalan Sungai Kayu Ara 32/37, Berjaya Park, Sect 32, 40460 Shah Alam, Selangor.

Tel : 03-5740 6666

Fax : 03-5740 8220

Website : [www.alphamalaysia.com](http://www.alphamalaysia.com)

Email : [info@alphamalaysia.com](mailto:info@alphamalaysia.com)

Johor Bahru : 71, Jalan Molek 3/10, Taman Molek, 81100 Johor Bahru.

Tel : 07-353 4833 / 4933

Fax : 07-355 4233

Melaka : G-8, Jalan PM3, Plaza Mahkota, 75000 Melaka.

Tel : 06-292 2398 / 2399

Fax : 06-292 2392

Ipoh : 16, Jalan Tasek Timur, Taman Tasek Indra, 31400 Ipoh, Perak.

Tel : 05-545 2282 / 547 2282

Fax : 05-547 6282

Penang : 2744, Ground Floor, Jalan Chain Ferry, Taman Inderawasih, 13600 Prai.

Tel : 04-397 9923 / 9920

Fax : 04-397 9690