

*ALPHA Fan*<sup>TM</sup>

# Instruction Manual

**CEILING FAN**

*Model : CS5*

# TABLE OF CONTENT

Item	Page No.
1. Safety Precaution .....	1
2. Parts & Accessories .....	2
3. Installation Instruction .....	3 - 7
4. Transmitter Assembly & Function .....	7 - 8
5. Power Supply Connection & Circuite Diagram .....	8 - 9
6. Maintenance .....	10
7. Technical Specifications .....	10 - 11
8. Customer Service Centre .....	11

## SAFETY PRECAUTION

### PLEASE READ BEFORE INSTALLATION

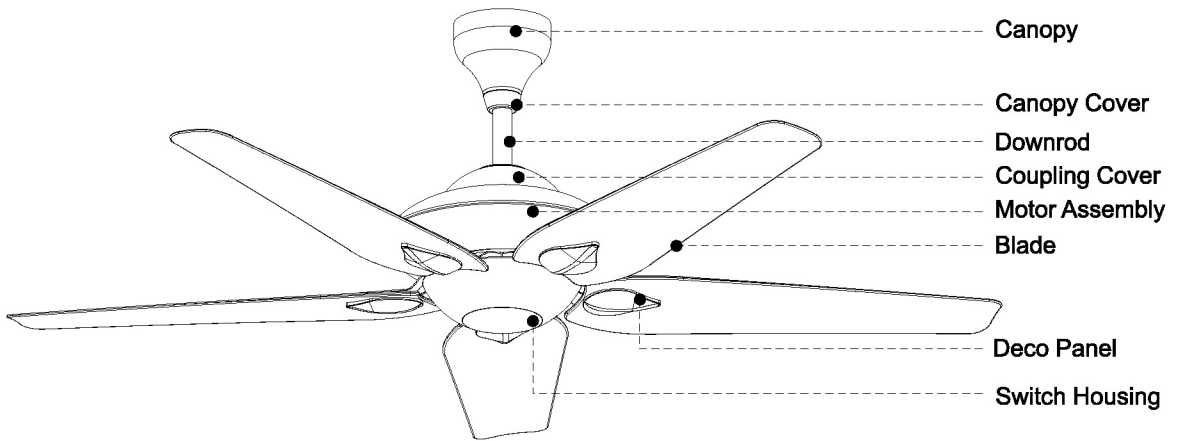
1. Installation must be carried out by a qualified wiring installer.
2. Turn off the electrical mains at the circuit breaker fuse box.
3. Do not use power supply other than 240V 50Hz.
4. The appliance must be permanently connected to the electricity supply through a double pole switch having a contact separation of at least 3mm in all poles.
5. Do not connect ceiling fan to any dimmer switch or regulator.
6. When mounting the fan, ensure that the safety wire is loop across the ceiling mounting hook.
7. The ceiling mounting hook must be able to withhold a min. of 35 pounds.
7. The ceiling fan must be mounted at a min. height of 8.2 feet / 2.5m of clearance from the floor and 3 feet / 1m from the wall to the blade.
8. Do not install at areas/places near/at
  - a) chemicals and alkali
  - b) flammable area such as gas cooker
  - c) oily places
  - d) wet and high humidity area such as shower room
  - e) high vibration/impact and continuously expose to direct wind
9. Do not place any objects in the path of the blades.
10. When all electrical connections are done, store all wires neatly.
11. Make sure that all screws and connection are tighten till snug.

## Warning

This product is designed to use only those parts supplied with this product and/or accessories designated specifically for use with this product. Using parts and/or accessories not designated for use with this product could result in personal injury or property damage.

# PARTS & ACCESSORIES

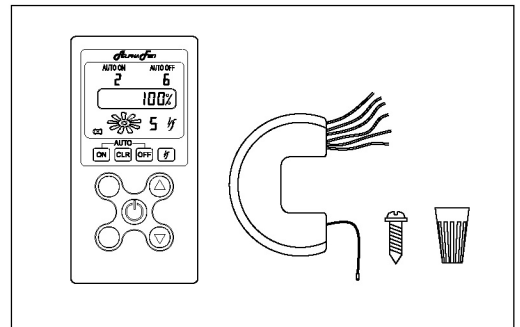
Item	Qty
1. Canopy	1
2. Canopy Cover	1
3. Downrod Assembly with Rubber Pulley	1
4. Coupling Cover	1
5. Motor Assembly	1
6. Blade	5
7. Blade Holder	5
8. Deco Panel	1
9. Assembly Kit	1



## Assembly Kit

Bolt x 1	Blade Panel Screw x 16	Blade Holder Screw x 1

## Receiver & Transmitter Kit



## Note

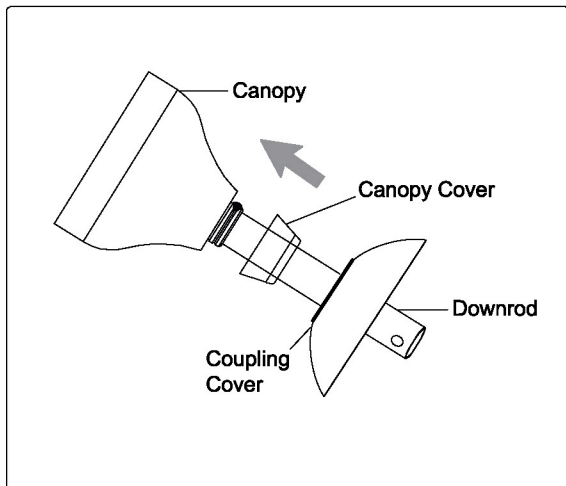
The illustrations in this manual are for explanation purposes only and may differ from the actual unit. It is subjected to change without prior notice for further improvements.

# INSTALLATION INSTRUCTION

**IMPORTANT : SWITCH OFF THE ELECTRICAL MAINS AT THE CIRCUIT BREAKER FUSE BOX.**

## Step 1

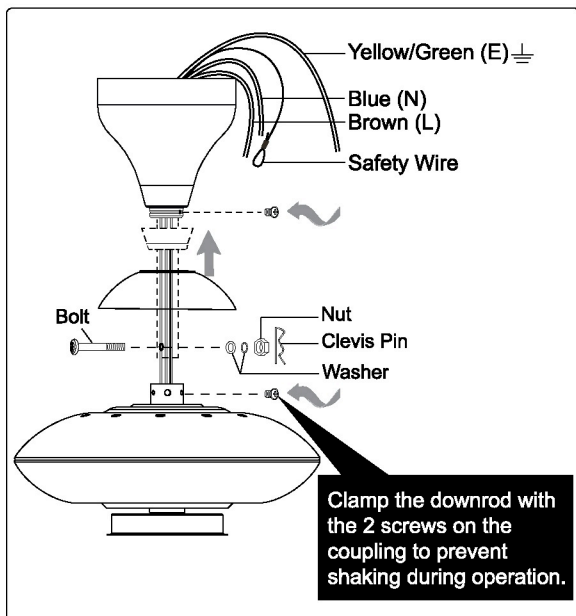
Remove the bolt and clevis pin on the downrod and assemble the canopy, canopy cover and coupling cover through the downrod.



## Step 2

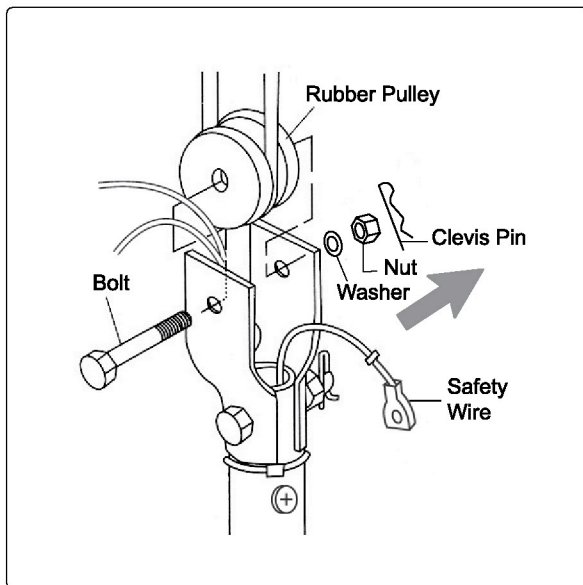
Route all the wires from the motor through the downrod. Fix the downrod to the coupling with bolt, washer, nut and tighten them firmly then insert the clevis pin.

**IMPORTANT : Clevis pin MUST be inserted to prevent nut from loosening.**



## Step 3

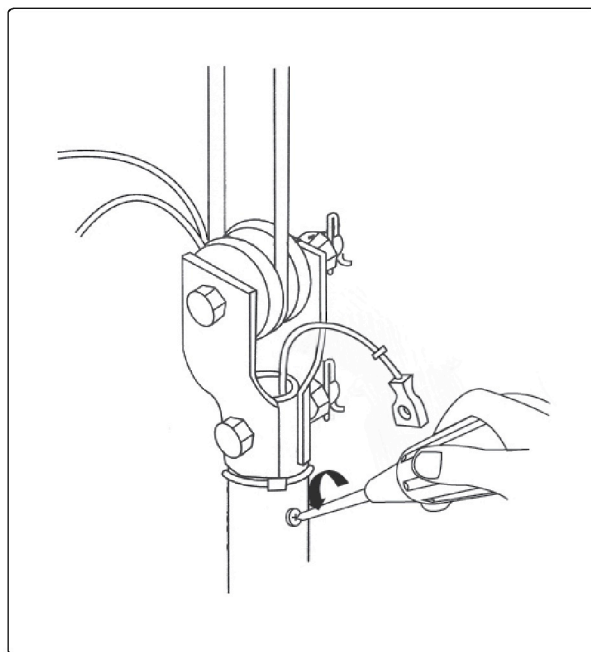
Remove the bolt and rubber pulley from the downrod and place it onto the ceiling mounting hook.



## Step 4

Remove the safety wire screw and spring washer from the downrod.

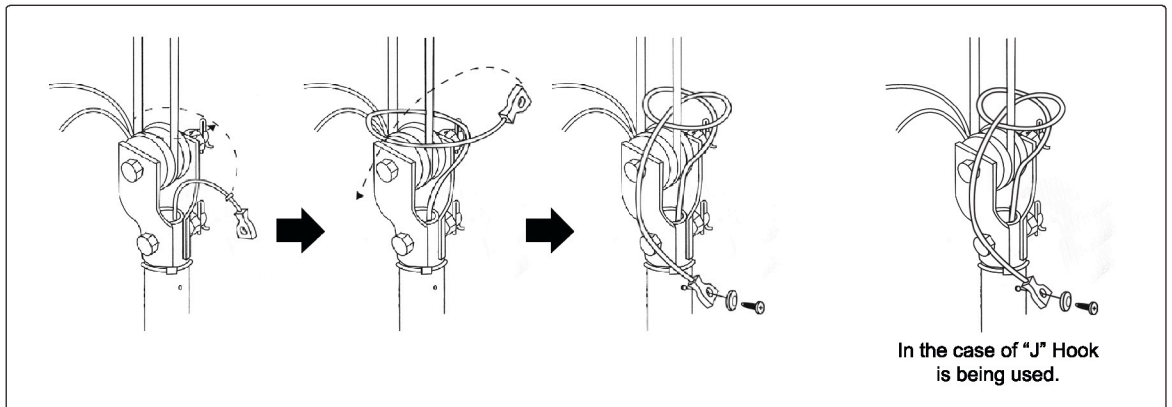
**IMPORTANT : Clevis pin MUST be inserted to prevent nut from loosening.**



# INSTALLATION INSTRUCTION

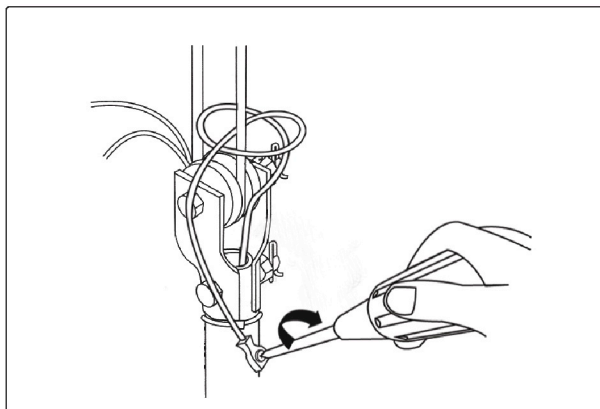
## Step 5

Tie the safety wire across the hook as shown.



## Step 6

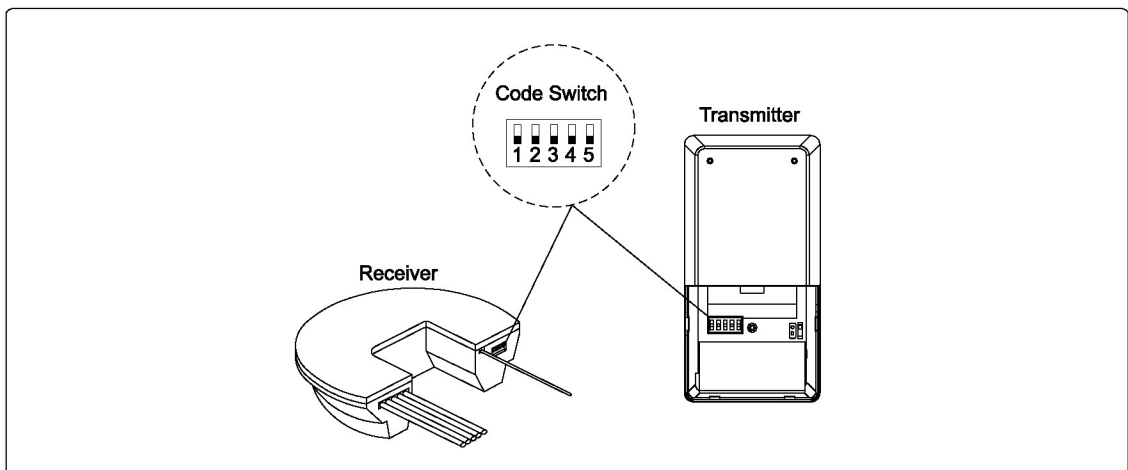
Firmly screw the safety wire with spring washer onto the downrod.



## Step 7

To control the fan, the codes on both receiver and transmitter must be at the same mode.

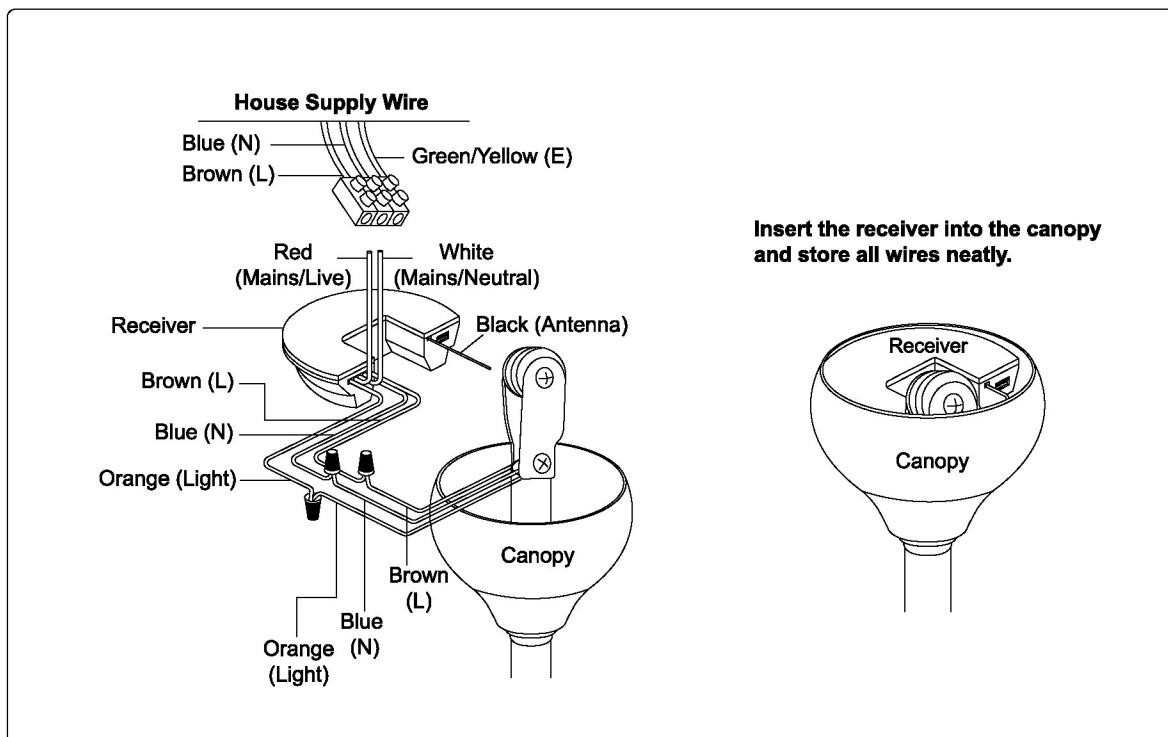
- a) To change the code, push the code switch up or down.
- b) To control 2 or more fans using 1 transmitter, set all receiver's code at the same mode with transmitter.



# INSTALLATION INSTRUCTION

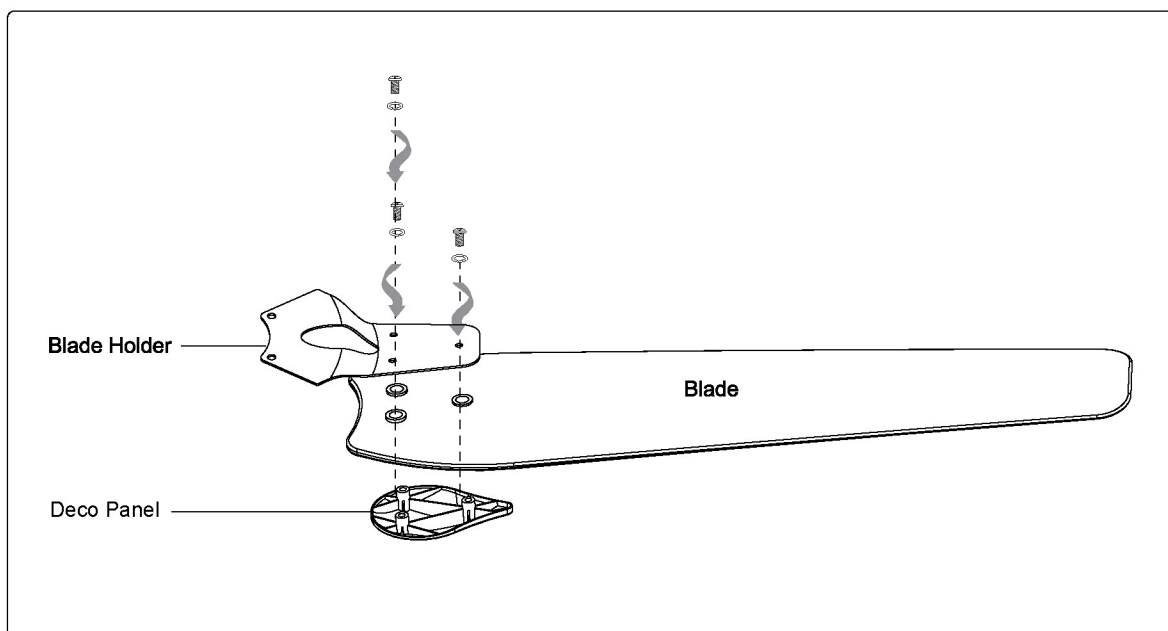
## Step 8

Connect the brown, blue and orange wires from the receiver to the fan. Connect the red, white and green wires to the house's supply wire.



## Step 9

Align the 3 holes on the blade holder, blade and blade panel and screw on with the screws and washers provided.

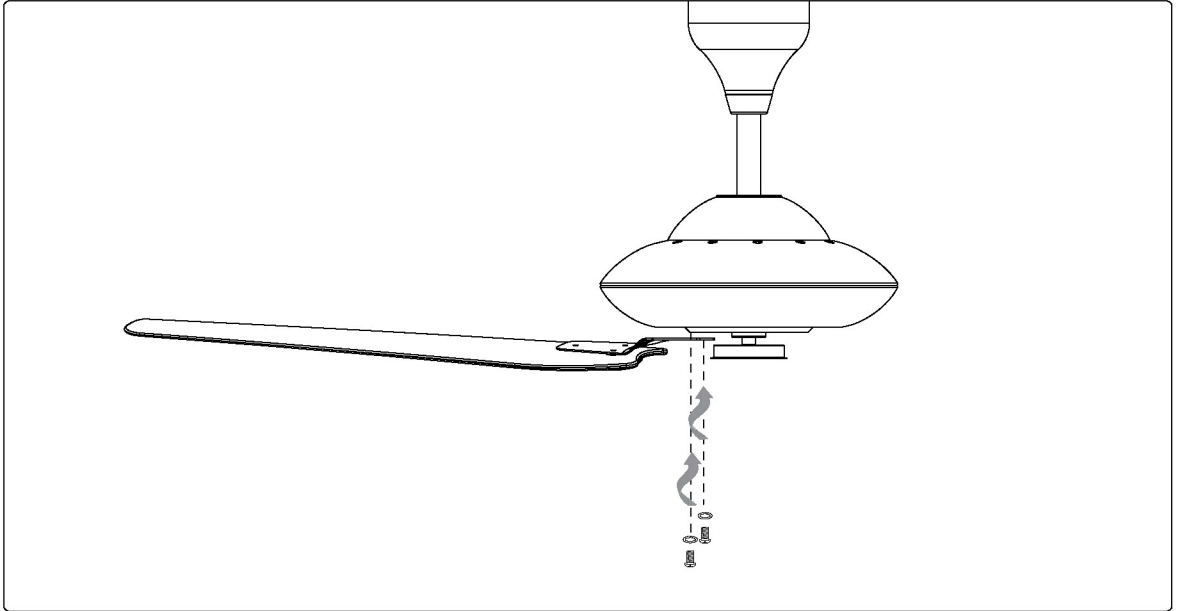


# INSTALLATION INSTRUCTION

## Step 10

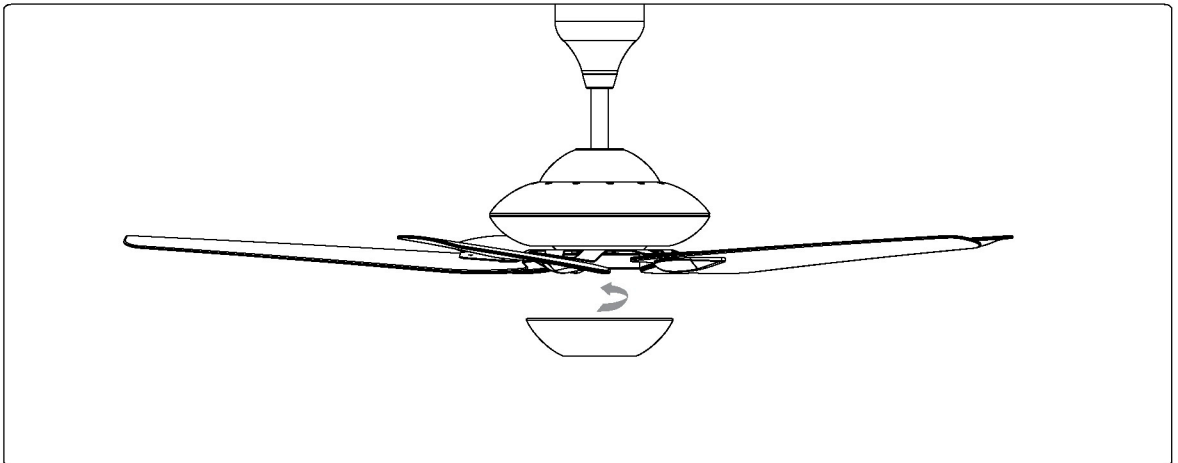
Remove the screws at the motor and fix the blade holder to the motor housing using these screws.

**IMPORTANT : Assemble the blades only after the ceiling fan is mounted on the hook.**



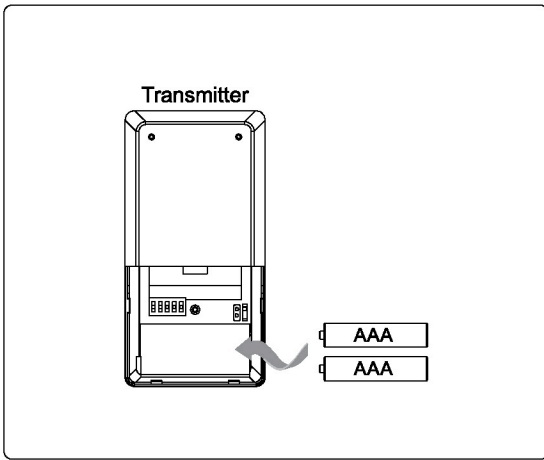
## Step 11

Install the switch housing by aligning with the fitter plate and twist in.

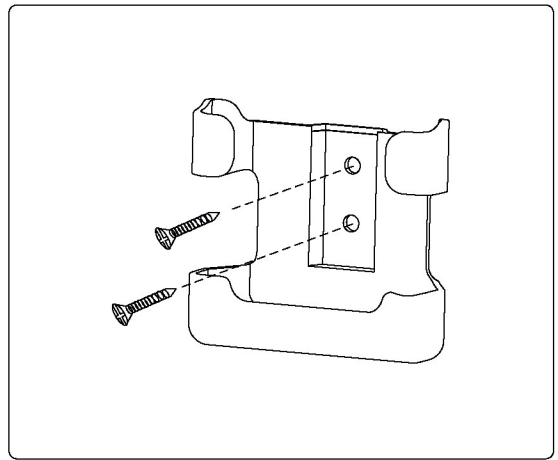


# TRANSMITTER ASSEMBLY

Insert the 2 pcs AAA batteries (provided) into the transmitter.



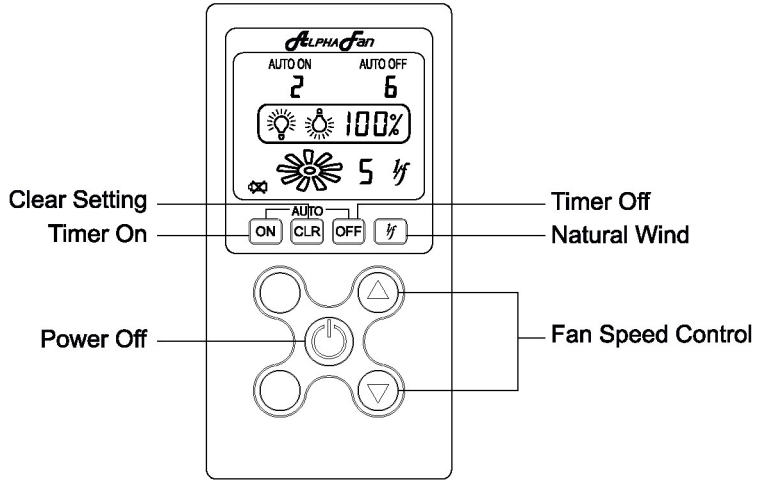
Mount the remote control holder on the wall with screws provided.





# TRANSMITTER FUNCTION

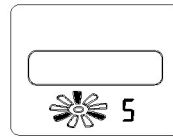
**IMPORTANT : DO NOT CONNECT THIS REMOTE CONTROL CEILING FAN TO REGULATOR OR DIMMER SWITCH.**



## Fan Speed Control

Press / to select fan speed

Press to switch off the fan



Display the current fan speed

## Auto On

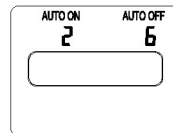
Press to set desire AUTO ON hour

To cancel AUTO ON, press

## Auto Off

Press to set desire AUTO OFF hour

To cancel AUTO OFF, press



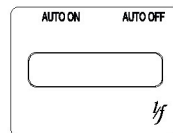
Display of the preset time

**Example : Current time is 10am**

	Setting
Auto On at 12pm	2
Auto Off at 4pm	6

## Natural Wind

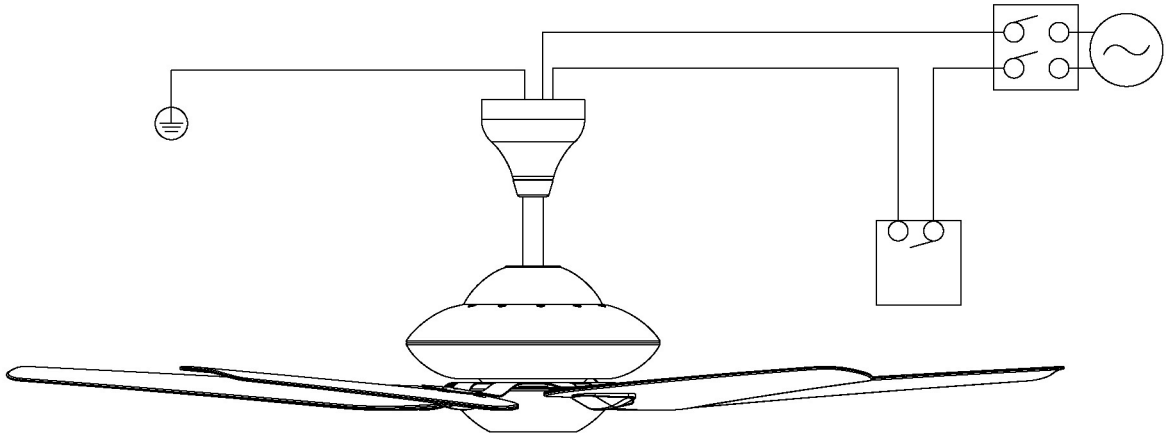
Press to activate function. Fan speed changes in sequence automatically



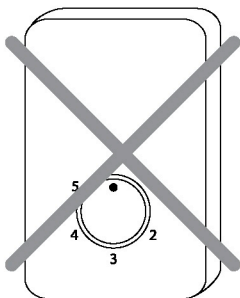
Display of the natural wind icon

The transmitter & receiver is incorporated with last memory function. It stores the last reading/setting on memory and when the fan is switch on again, the operation will be as the last memory/setting.

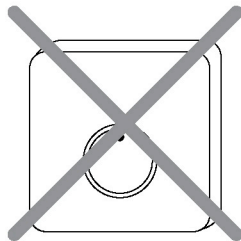
# POWER SUPPLY CONNECTION



**IMPORTANT : DO NOT CONNECT THIS REMOTE CONTROL CEILING FAN TO REGULATOR OR DIMMER SWITCH.**

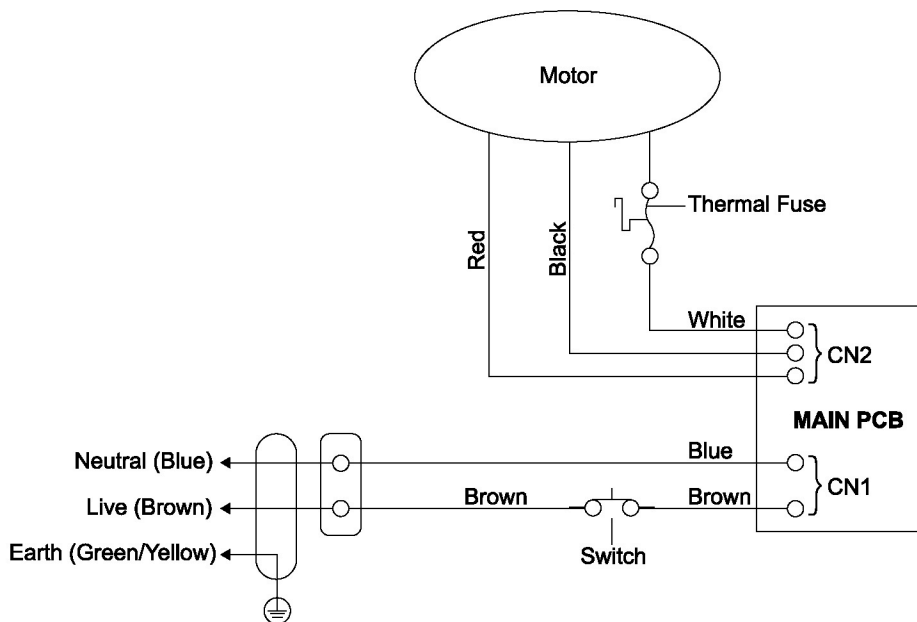


Regulator



Dimmer Switch

# CIRCUIT DIAGRAM



## MAINTENANCE

Due to the fan's natural movement, connections may get loose after a period of usage. To ensure a proper and safety usage, it is highly recommended to inspect and tighten all connections every 6 months.

### Cleaning

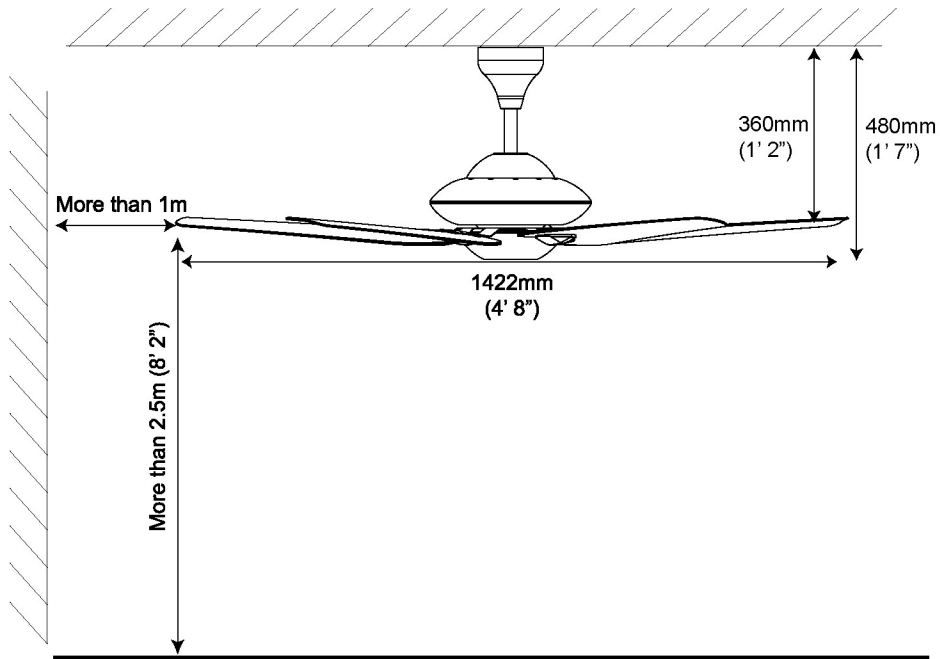
Cleaning your fan periodically will prolong its new appearance. Basic cleaning procedures are as follows :

1. Use only lukewarm water. Do not use detergent, corrosive or acidic solution.
2. Damp the cloth lightly. Use only soft or lint-free cloth to clean the fan. Rough fabric will scratch the surface.
3. Do not bent the blades while cleaning. At the event where blades are bent or damage, order new set of blades from service center or dealer shop.
4. There is no need to oil the fan.

## TECHNICAL SPECIFICATIONS

Model	CS5
No. of blades	5
Fan width	56"
Motor RPM	100 - 240
Voltage	240 50Hz
Wattage	30W - 100W

## TECHNICAL SPECIFICATIONS



## CUSTOMER SERVICE CENTRE

If you need any technical assistance or faulty report, please contact our customer service centre at :

**Alpha Home Appliances Sdn. Bhd. (390258-H)**

Head Office : 6, Jalan Sungai Kayu Ara 32/37, Berjaya Park, Sect 32,  
40460 Shah Alam, Selangor.

Tel : 03-5740 6666 Fax : 03-5740 8220  
Website : [www.alphamalaysia.com](http://www.alphamalaysia.com) Email : [info@alphamalaysia.com](mailto:info@alphamalaysia.com)

Johor Bahru : 71, Jalan Molek 3/10, Taman Molek, 81100 Johor Bahru.  
Tel : 07-353 4833 / 4933 Fax : 07-355 4233

Melaka : G-8, Jalan PM3, Plaza Mahkota, 75000 Melaka.  
Tel : 06-292 2398 / 2399 Fax : 06-292 2392

Ipoh : 16, Jalan Tasek Timur, Taman Tasek Indra, 31400 Ipoh, Perak.  
Tel : 05-545 2282 / 547 2282 Fax : 05-547 6282

Penang : 2744, Ground Floor, Jalan Chain Ferry, Taman Inderawasih, 13600 Prai.  
Tel : 04-397 9923 / 9920 Fax : 04-397 9690