

*ALPHA Fan*

# Instruction Manual

**CEILING FAN**  
*Model : Woodcrest*

# TABLE OF CONTENT

Item	Page No.
1. Safety Precaution .....	1
2. Parts & Accessories .....	2
3. Installation Instruction .....	3 - 7
4. Transmitter Assembly & Function .....	8 - 9
5. Maintenance and Technical Specifications .....	10
6. Customer Service Centre .....	11

## SAFETY PRECAUTION

### IMPORTANT : PLEASE READ BEFORE INSTALLATION.

1. Installation must be carried out by a qualified wiring installer.
2. Turn off the electrical mains at the circuit breaker fuse box.
3. Do not use power supply other than 240V 50Hz.
4. This appliance must be earthed.
5. When mounting the fan, ensure that the safety wire is loop across the ceiling mounting hook.
6. The ceiling mounting hook must be able to withhold a min. weight of 35 pounds.
7. The ceiling fan must be mounted at a min. height of 8.2 feet / 2.5m of clearance from the floor.
8. Do not place any objects in the path of the blades.
9. When all electrical connections are done, store all wires neatly.
10. Make sure that all screws and connection are tightly screwed and secured.

### Warning

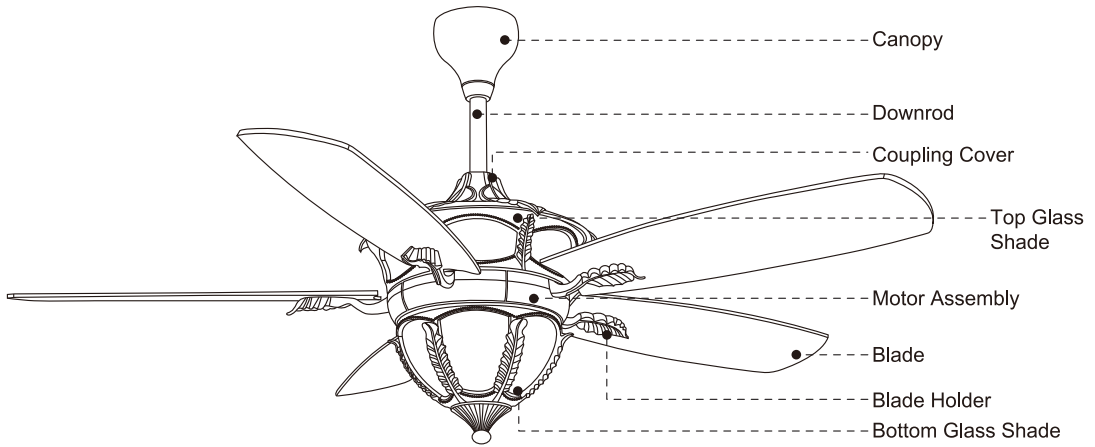
This product is designed to use only those parts supplied with this product and/or accessories designated specifically for use with this product. Using parts and/or accessories not designated for use with this product could result in personal injury or property damage.

### Note





The illustrations in this manual are for explanation purposes only and may differ from the actual unit. It is subjected to change without prior notice for further improvements.

# PARTS & ACCESSORIES



Item	Qty
1. Canopy	1
2. Downrod Assembly with Rubber Pulley	1
3. Coupling Cover	1
4. Top Glass Shade	1
5. Motor Assembly	1
6. Blade	5
7. Blade Holder	5
8. Bottom Glass Shade	1
9. Assembly Kit	1
10. Balancing Kit	1
11. Receiver & Transmitter Kit	1



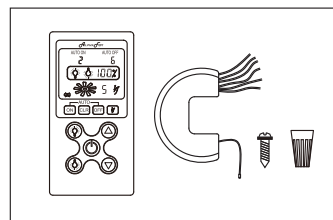
## Assembly Kit

			
Bolt x 1	Blade Screw x 16	Blade Holder Screw x 11	Wire Connector x 4

## Balancing Kit

	
Balancing Clip x 1	Balancing Metal x 3

## Receiver & Transmitter Kit

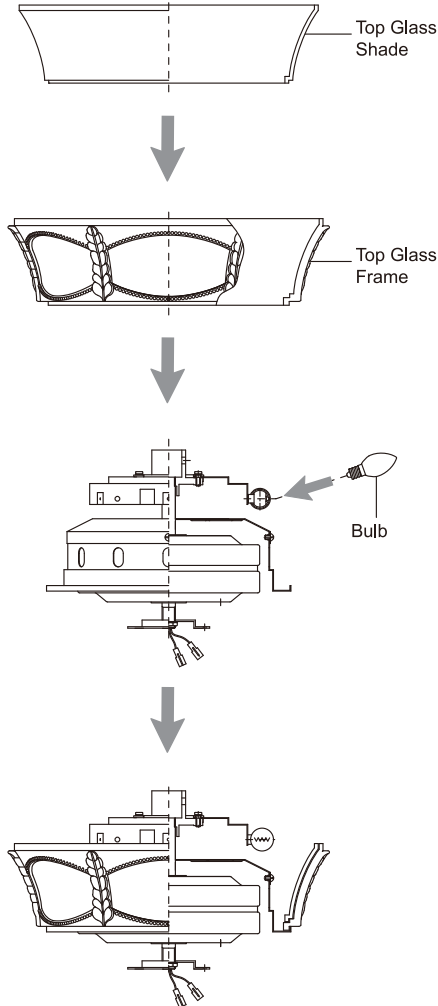


# INSTALLATION INSTRUCTION

**IMPORTANT : SWITCH OFF THE ELECTRICAL MAINS AT THE CIRCUIT BREAKER FUSE BOX.**

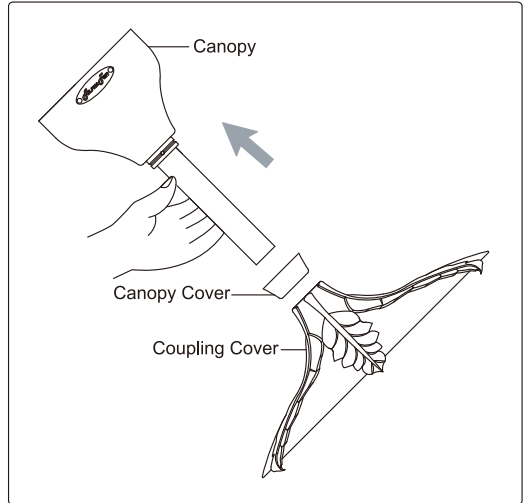
## Step 1

- a) Install the light bulbs (E14 x 6 pcs, not provided). Use light bulbs in accordance with the fan's specifications.
- b) Place the top glass shade and top glass frame to the motor assembly.



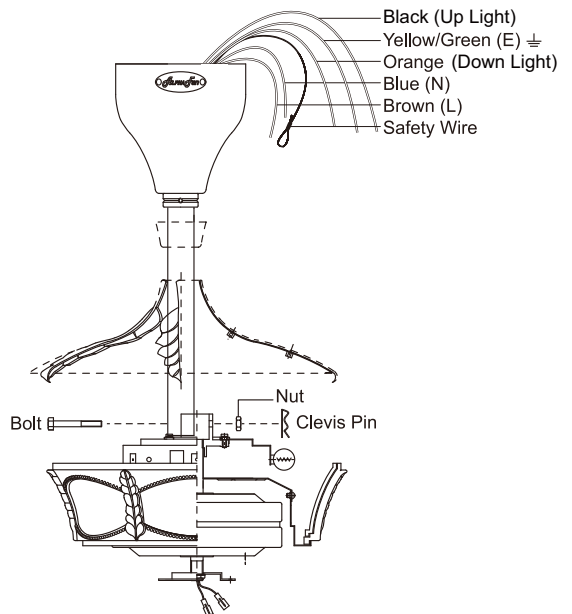
## Step 2

- Remove the bolt and clevis pin on the downrod and assemble the canopy, canopy cover and coupling cover through the downrod.



## Step 3

- a) Route the safety wire, blue, brown, orange and black wires from the motor through the downrod.
- b) Fix the downrod to the shaft and insert the bolt and secure with the clevis pin.

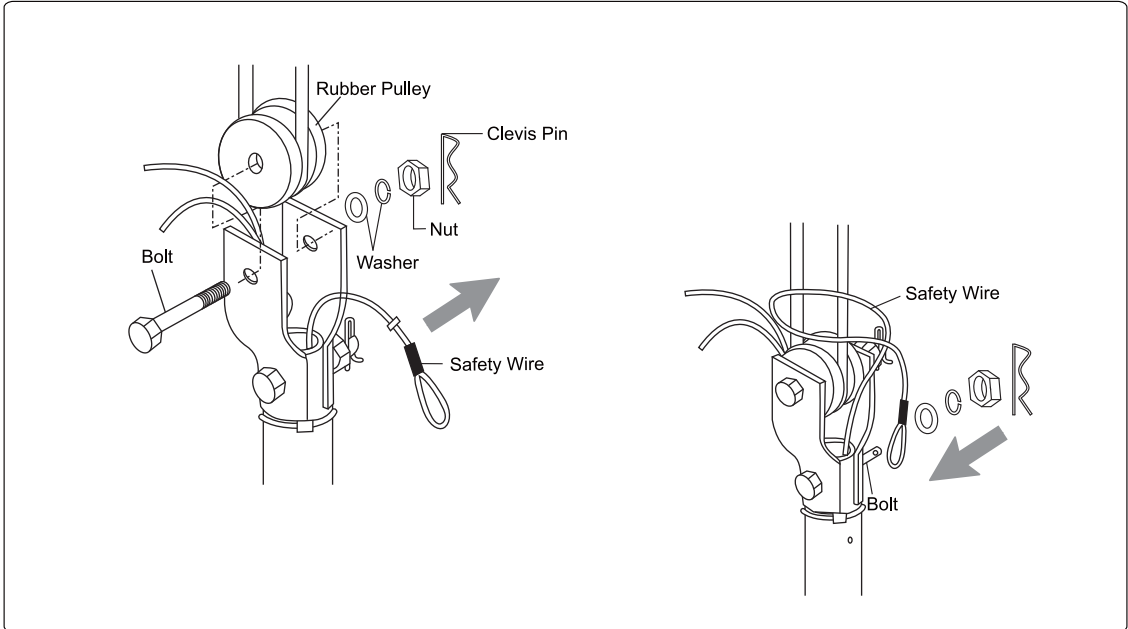


# INSTALLATION INSTRUCTION

**IMPORTANT : SWITCH OFF THE ELECTRICAL MAINS AT THE CIRCUIT BREAKER FUSE BOX.**

## Step 4

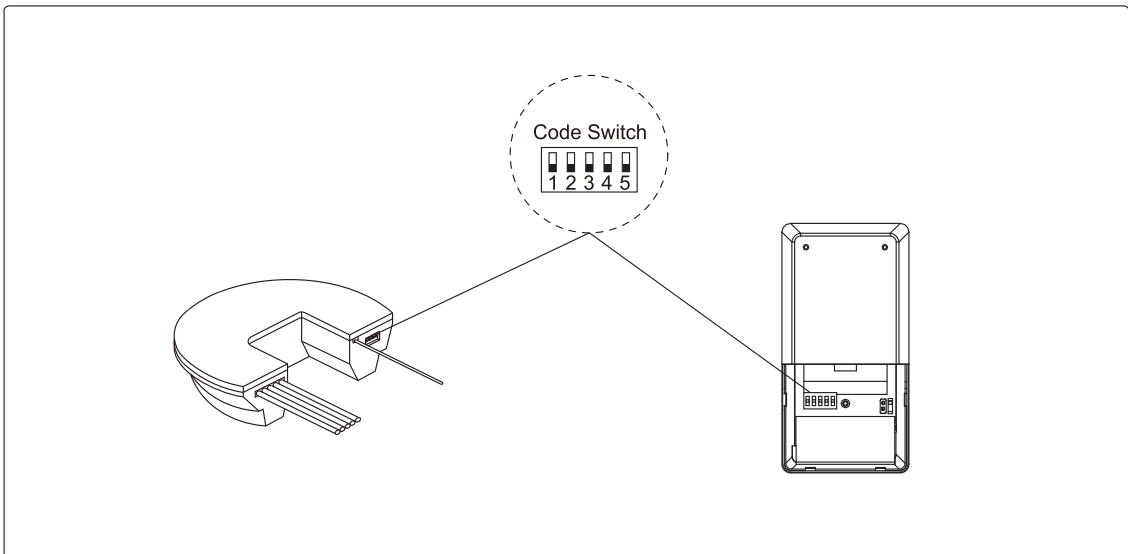
- Remove the bolt, clevis, nut, washer and rubber pulley from the downrod. Place the rubber pulley onto the ceiling hook and fix back the bolt, clevis, nut and washer.
- Tie the safety wire across the hook and insert into the bolt and secure with washer, nut and clevis pin.



## Step 5

Match the codes on the receiver and transmitter to be the same mode.

- To change the code, push the code switch up or down.
- To control 2 or more fans using 1 transmitter, set all receiver's code at the same mode with transmitter.

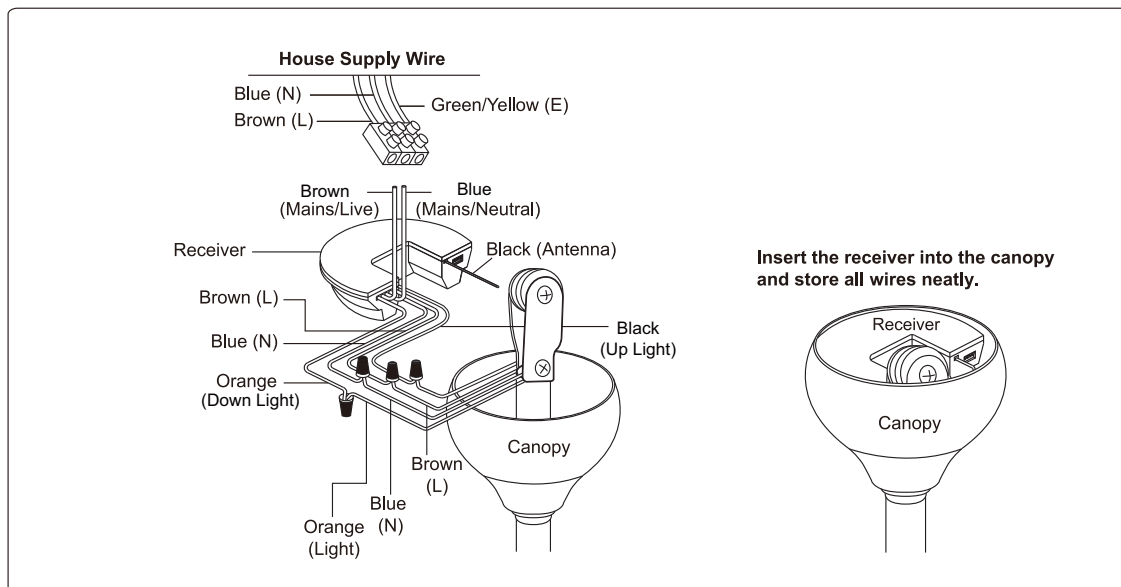


# INSTALLATION INSTRUCTION

**IMPORTANT : SWITCH OFF THE ELECTRICAL MAINS AT THE CIRCUIT BREAKER FUSE BOX.**

## Step 6

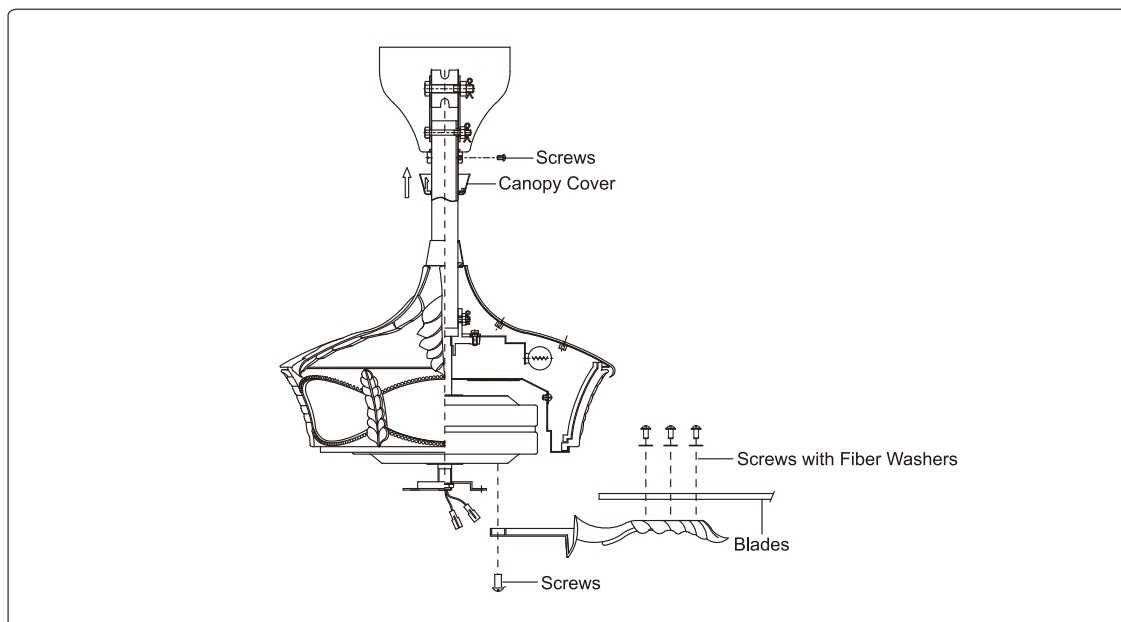
Connect the brown, blue, orange and black wires from the receiver to the fan. Connect the brown, blue and green/yellow wires to the house's supply wire.



## Step 7

- Assemble the canopy cover to canopy and secure with the screws provided.
- Assemble the fan blade to the blade holder using the screws and fiber washers provided.
- Install the fan blades to the motor using the screws provided.

**Important : Assemble the blades only after the ceiling fan is mounted on the hook.**

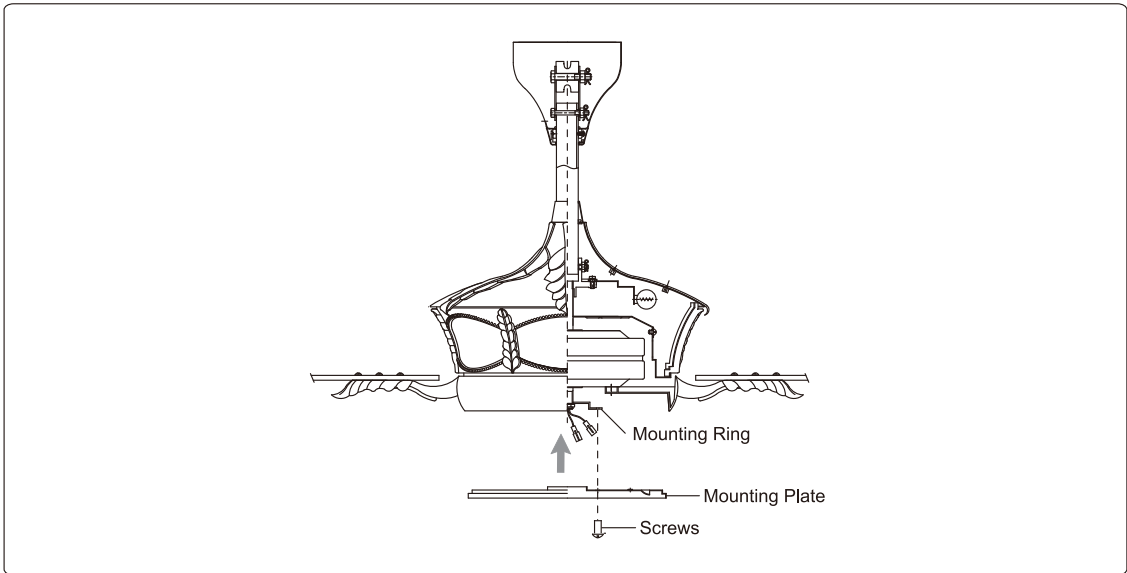


# INSTALLATION INSTRUCTION

**IMPORTANT : SWITCH OFF THE ELECTRICAL MAINS AT THE CIRCUIT BREAKER FUSE BOX.**

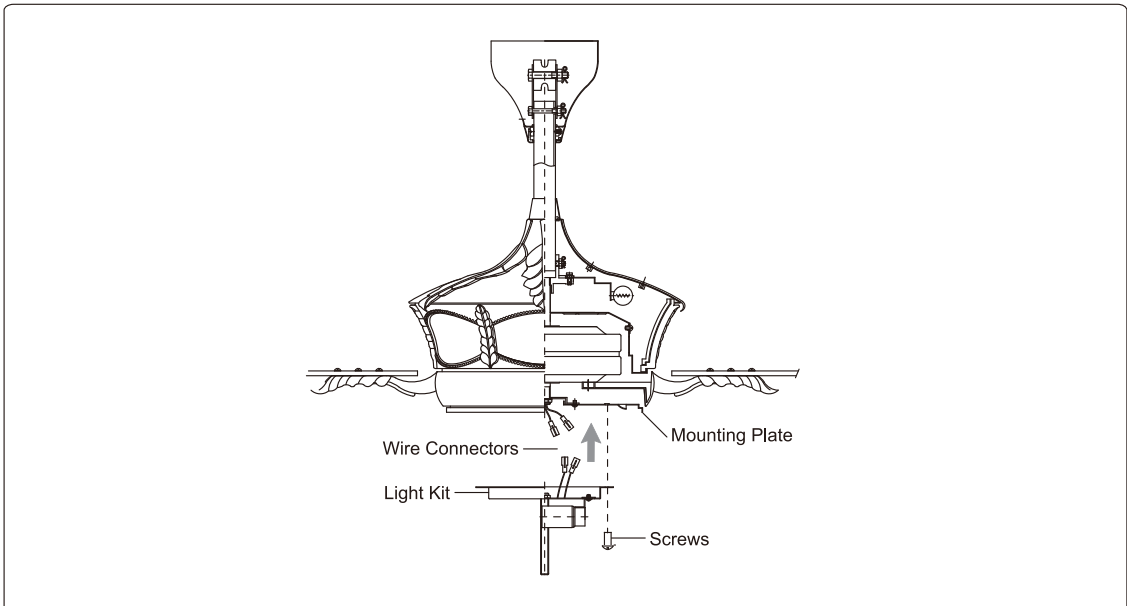
## Step 8

- Remove 1 of 3 screws from the mounting ring and loosen the other 2 screws. (Do not remove)
- Match the key holes on the motor housing and mounting ring.
- Turn mounting plate until it locks in place and secure with the screws previously loosened and removed.



## Step 9

- Connect the wire connectors from the light plate to motor according to connector's colour.
  - White to white
  - Black to black
- Install the light plate to the mounting plate with the screws provided.

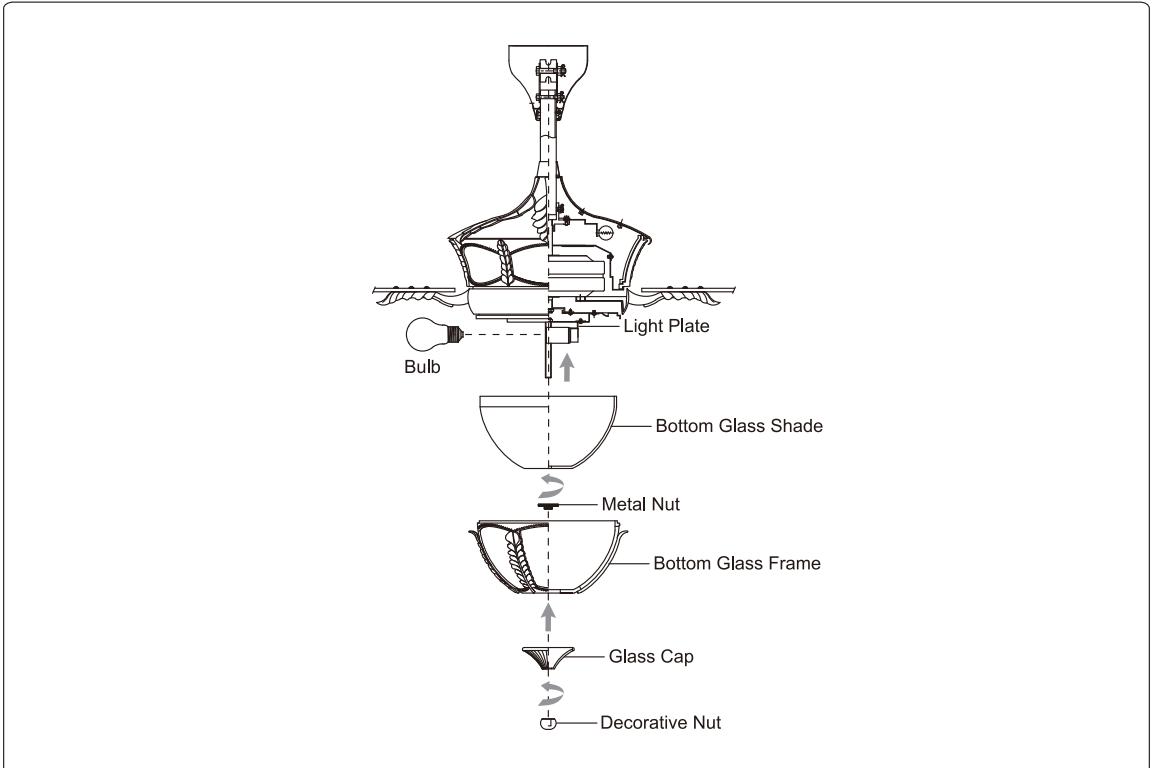


# INSTALLATION INSTRUCTION

**IMPORTANT : SWITCH OFF THE ELECTRICAL MAINS AT THE CIRCUIT BREAKER FUSE BOX.**

## Step 10

- a) Install the light bulbs (E14 x 3 pcs, not provided). Use light bulbs in accordance with the fan's specifications.
- b) Remove the metal nut, glass cap and decorative nut.
- c) Place the bottom glass shade and bottom glass frame to light kit. Secure with the metal nut (rubber side face up), glass cap and decorative nut.

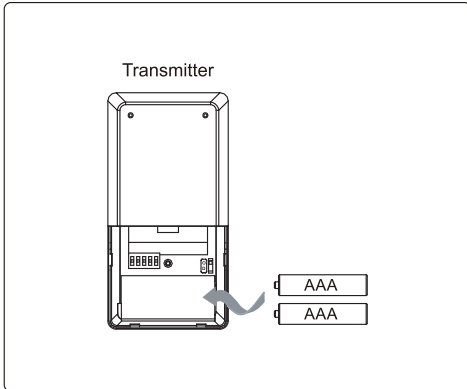




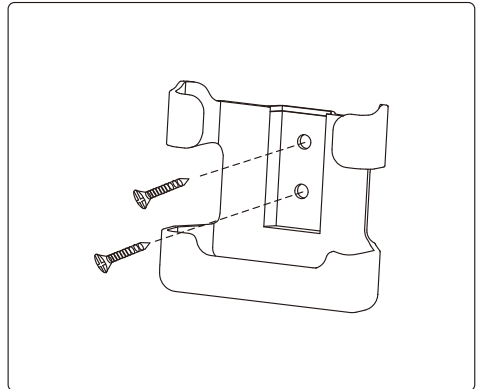
# TRANSMITTER ASSEMBLY

**IMPORTANT : DO NOT CONNECT THIS REMOTE CONTROL CEILING FAN TO DIMMER SWITCH OR WALL REGULATOR.**

Insert the 2 pcs AAA batteries (provided) into the transmitter.



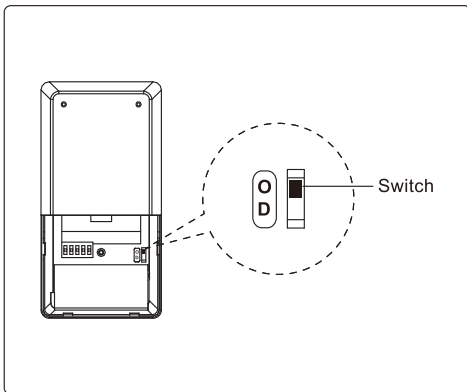
Mount the remote control holder on the wall with screws provided.



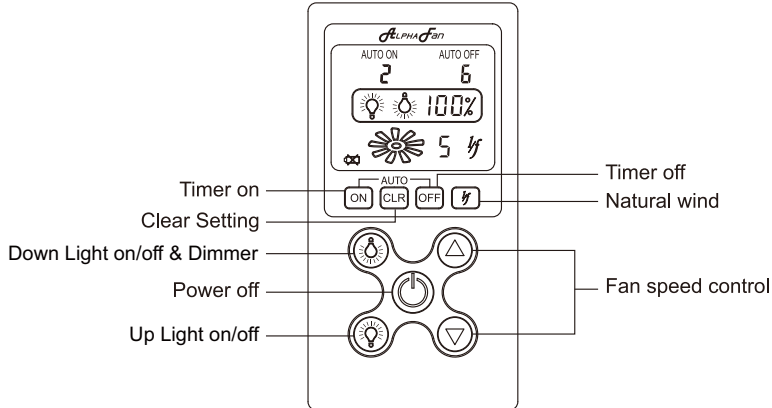
Set the switch on the transmitter according to the type of bulbs using. User have the option of using energy saving bulb or incandescent bulb.

- For energy saving bulb, the switch must be push to 'O' and the dimmer function will be null.
- For incandescent bulb, push the switch to 'D' and the dimmer function is ready to be use.

**IMPORTANT : INCORRECT SETTING MAY CAUSE THE FAN TO MALFUNCTION.**



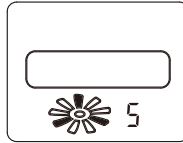
# TRANSMITTER FUNCTION



## Fan Speed Control

Press / to select fan speed

Press to switch off the fan

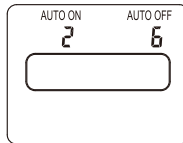


Display the current fan speed

## Auto On

Press to set desire AUTO ON time

To cancel AUTO ON, press



Display of the preset time

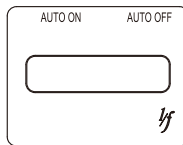
## Auto Off

Press to set desire AUTO OFF time

To cancel AUTO OFF, press

## Natural Wind

Press to activate function. Fan speed changes in sequence automatically



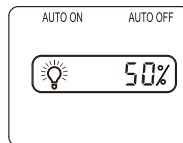
Display of the natural wind icon

## Light On/Off ( Up Light )

Press to switch on/off the light

## Light On/Off & Dimmer ( Down Light )

Press and hold on to to dim the light to desire brightness



Display the percentage of the bulb brightness

The transmitter & receiver is incorporated with last memory function. It stores the last reading/setting on memory and when the fan is switch on again, the operation will be as the last memory/setting.

# MAINTENANCE

Due to the fan's natural movement, connections may get loose after a period of usage. To ensure a proper and safety usage, inspect the suspension system and tighten all connections every 6 months.

**IMPORTANT : SWITCH OFF THE ELECTRICAL MAINS AT THE CIRCUIT BREAKER FUSE BOX.**

## Cleaning

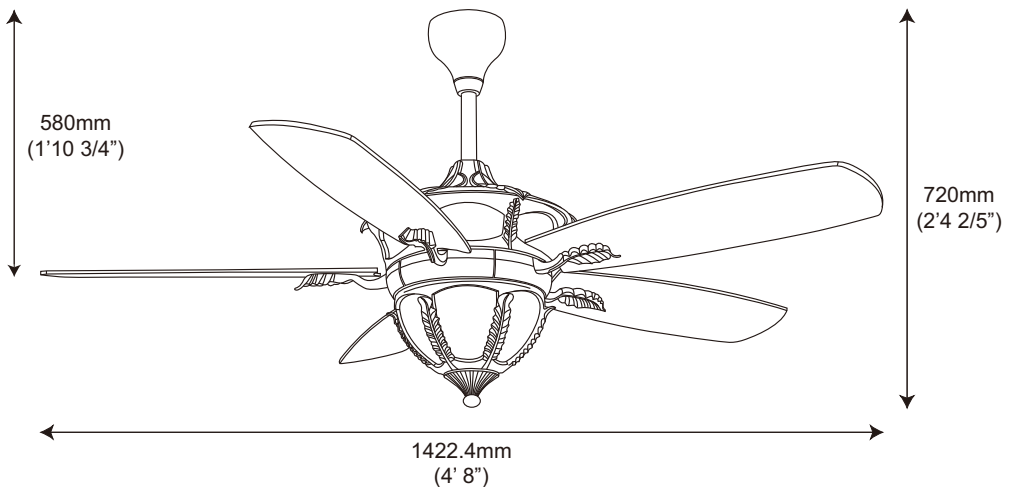
Cleaning your fan periodically will prolong its new appearance. Basic cleaning procedures are as follows :

1. Use only lukewarm water. Do not use detergent, corrosive or acidic solution.
2. Damp the cloth lightly. Use only soft or lint-free cloth to clean the fan. Rough fabric will scratch the fan surface.
3. To cover small scratches, apply a light coat of shoe polish over it.
4. There is no need to oil the fan.

# TECHNICAL SPECIFICATIONS

Model	Woodcrest
No. of blades	5
Fan width	56"
Motor RPM	105 - 205
Light bulb *	Top : 6 x 15W, E14 Bottom : 3 x 40W, E14
Voltage	240V 50Hz
Wattage	30W - 105W

\* not provided



# CUSTOMER SERVICE CENTRE

If you need any technical assistance or faulty report, please contact our customer service centre at :

**Alpha Home Appliances Sdn. Bhd.**(390258-H)

**Head Office** : 6, Jalan Sungai Kayu Ara 32/37, Berjaya Park, Section 32, 40460 Shah Alam, Selangor.

Tel : 03-5740 6666 Fax : 03-5740 8220

Website : [www.alphamalaysia.com](http://www.alphamalaysia.com) Email : [info@alphamalaysia.com](mailto:info@alphamalaysia.com)

**Johor Bahru** : 73, Jalan Molek 3/10, Taman Molek, 81100 Johor Bahru.

Tel : 07-353 4833 / 4933 Fax : 07-355 4233

**Melaka** : G-8, Jalan PM3, Plaza Mahkota, 75000 Melaka.

Tel : 06-292 2398 / 2399 Fax : 06-292 2392

**Ipoh** : 16, Jalan Tasek Timur, Taman Tasek Indra, 31400 Ipoh, Perak.

Tel : 05-545 2282 / 547 2282 Fax : 05-547 6282

**Penang** : 2748, Ground Floor, Jalan Chain Ferry, Taman Inderawasih, 13600 Prai.

Tel : 04-397 9923 / 9920 Fax : 04-397 9690