

ALPHA Fan™

Instruction Manual

CEILING FAN

Model : F180

TABLE OF CONTENT

Item	Page No.
1. Safety Precaution	1
2. Parts & Accessories	2
3. Installation Instruction	3 - 7
4. Power Supply Connection	7 - 8
5. Circuit Diagram.....	8
6. Transmitter Function	9
7. Transmitter Assembly & Maintenance	10
8. Technical Specifications & Customer Service Centre	11

SAFETY PRECAUTION

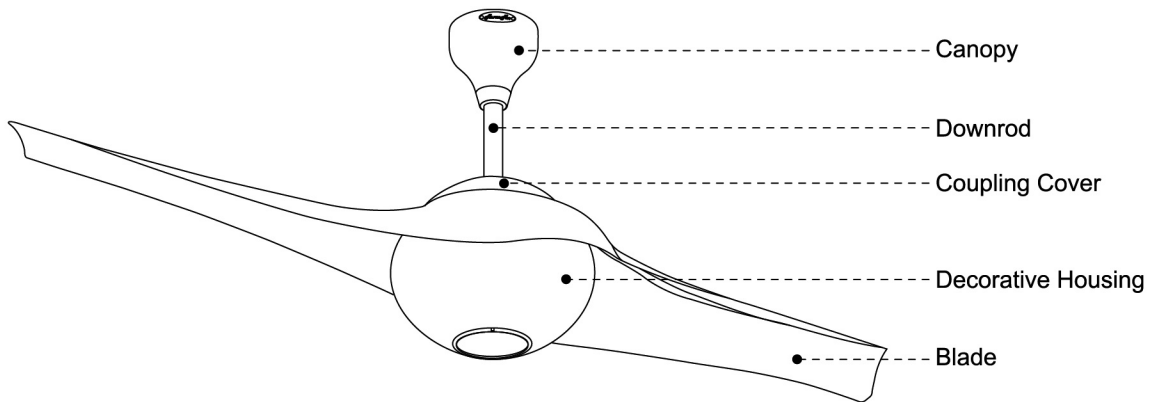
1. Installation must be carried out by a qualified wiring installer.
2. Turn off the electrical mains at the circuit breaker fuse box.
3. Do not use power supply other than 240V 50Hz.
4. The appliance must be permanently connected to the electricity supply through a double pole switch having a contact separation of at least 3mm in all poles.
5. Do not connect ceiling fan to any dimmer switch or regulator.
5. When mounting the fan, ensure that the safety wire is loop across the ceiling mounting hook.
6. The ceiling mounting hook must be able to withhold a min. of 35 pounds.
7. The ceiling fan must be mounted at a min. height of 8.2 feet / 2.5m of clearance from the floor and 3 feet / 1m from the wall to the blade.
8. Do not install at areas/places near/at
 - a) chemicals and alkali
 - b) flammable area such as gas cooker
 - c) oily places
 - d) wet and high humidity area such as shower room
 - e) high vibration/impact and continuously expose to direct wind
9. Do not place any objects in the path of the blades.
10. When all electrical connections are done, store all wires neatly.
11. Make sure that all screws and connection are tighten till snug.

Warning

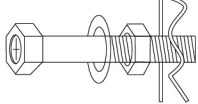


This product is designed to use only those parts supplied with this product and/or accessories designated specifically for use with this product. Using parts and/or accessories not designated for use with this product could result in personal injury or property damage.

PARTS & ACCESSORIES

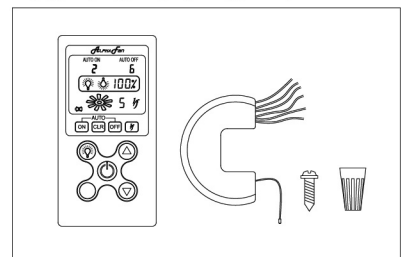
Item	Qty
1. Canopy	1
2. Downrod Assembly with Rubber Pulley	1
3. Coupling Cover	1
4. Motor Assembly	1
5. Blade	2
6. Decorative Housing	1
7. Assembly Kit	1
8. Receiver & Transmitter Kit	1



Assembly Kit

		
Bolt x 1	Blade Screws x 9	Wire Connector x 3

Receiver & Transmitter Kit



Note

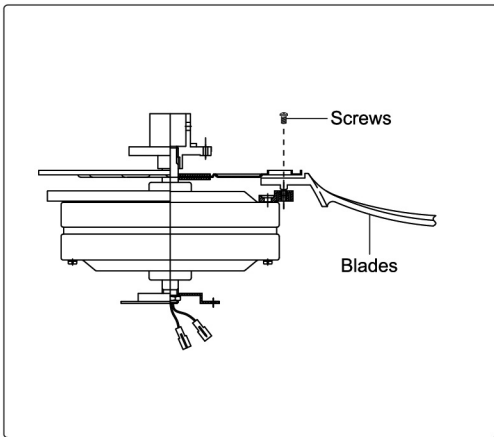
The illustrations in this manual are for explanation purposes only and may differ from the actual unit. It is subjected to change without prior notice for further improvements.

INSTALLATION INSTRUCTION

IMPORTANT : SWITCH OFF THE ELECTRICAL MAINS AT THE CIRCUIT BREAKER FUSE BOX.

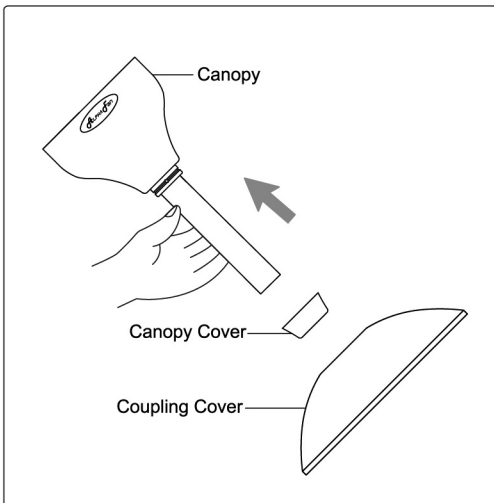
Step 1

- Align the holes from the blade to the holes on the top housing and secure in place with screws provided.
- Repeat process for other blades.



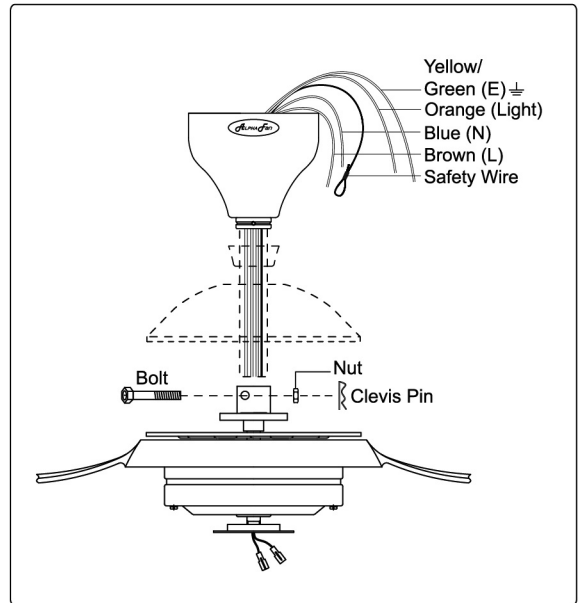
Step 2

Remove the bolt and clevis pin on the downrod and assemble the canopy, canopy cover and coupling cover through the dowrod.



Step 3

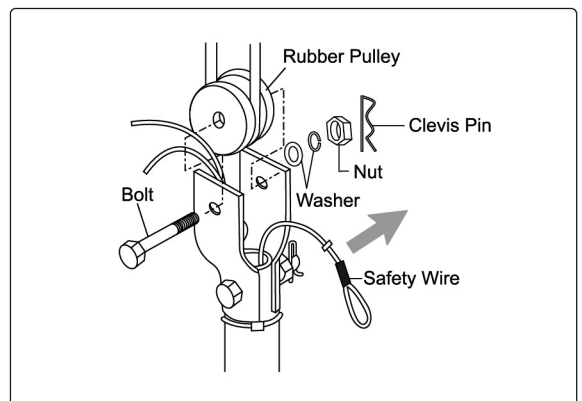
- Route all the wires from the motor through the downrod.
 - Fix the downrod to the coupling with bolt, washer, nut and tighten them firmly then insert the clevis pin.
- IMPORTANT : Clevis pin MUST be inserted to prevent nut from loosening.**



Step 4

Remove the bolt, clevis pin, nut, washer and rubber pulley from the downrod. Place the rubber pulley onto the ceiling hook and fix back the bolt, clevis pin, nut and washer.

IMPORTANT : Clevis pin MUST be inserted to prevent nut from loosening.

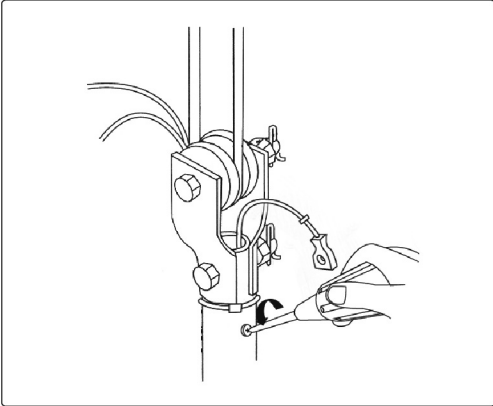


INSTALLATION INSTRUCTION

IMPORTANT : SWITCH OFF THE ELECTRICAL MAINS AT THE CIRCUIT BREAKER FUSE BOX.

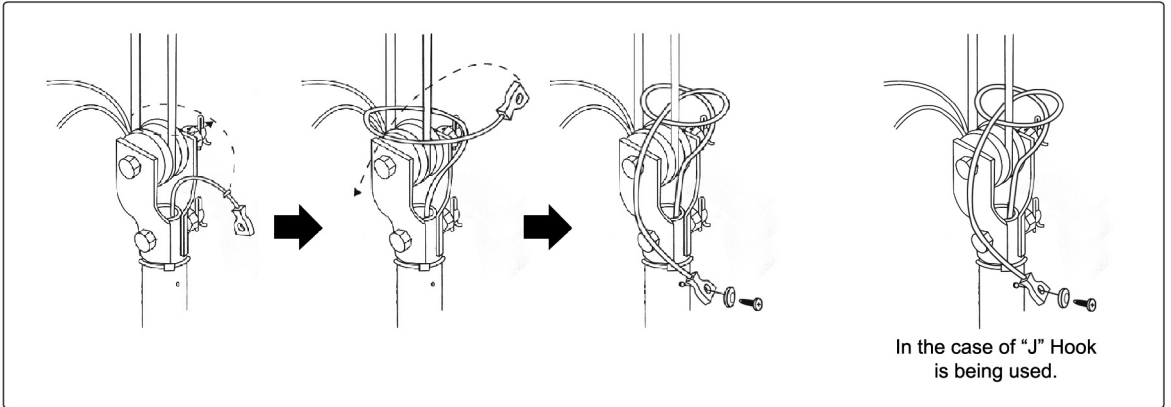
Step 5

Remove the safety wire screw and spring washer from the downrod.



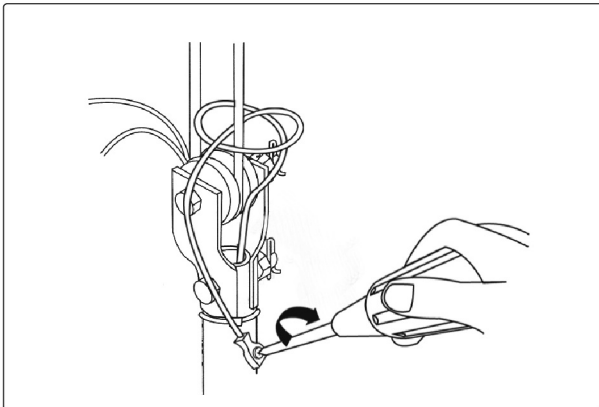
Step 6

Tie the safety wire across the hook as shown.



Step 5

Firmly screw the safety wire with spring washer onto the downrod.



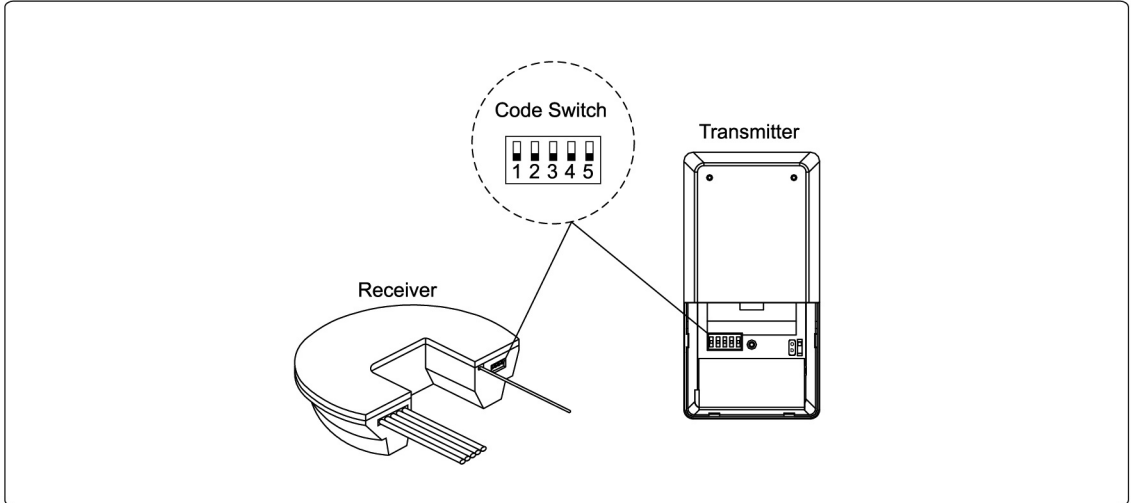
INSTALLATION INSTRUCTION

IMPORTANT : SWITCH OFF THE ELECTRICAL MAINS AT THE CIRCUIT BREAKER FUSE BOX.

Step 5

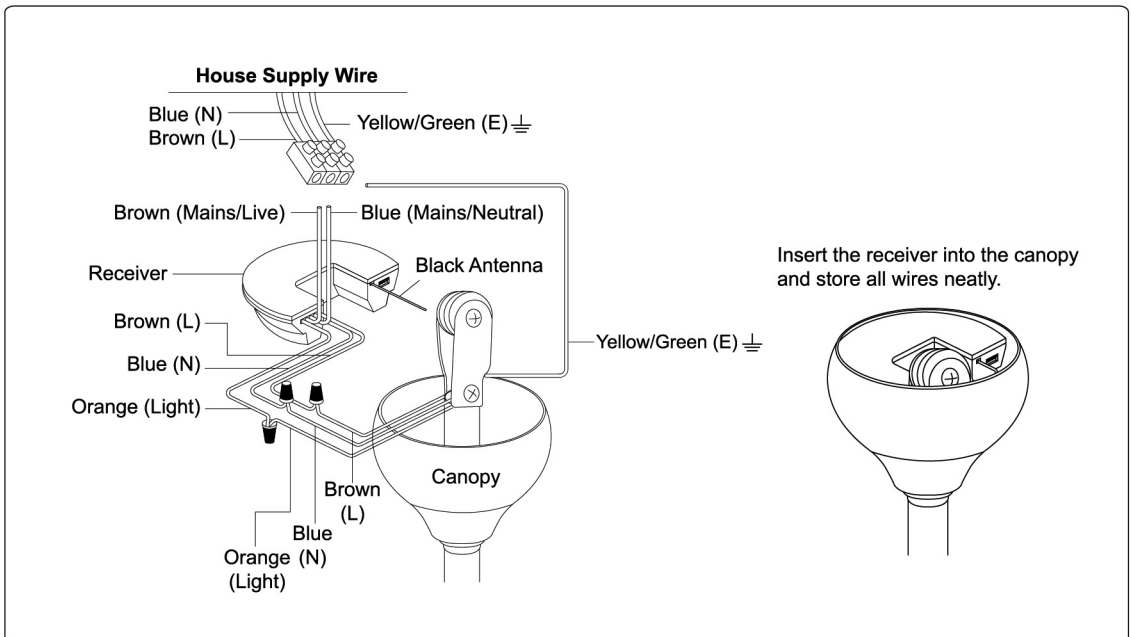
To control the fan, the codes on both receiver and transmitter must be at the same mode.

- To change the code, push the code switch up or down.
- To control 2 or more fans using 1 transmitter, set all receiver's code at the same mode with transmitter.



Step 5

- Connect the brown, blue & orange wires from receiver to the fan.
- Connect the brown, blue and green/yellow wires to house's supply wire.

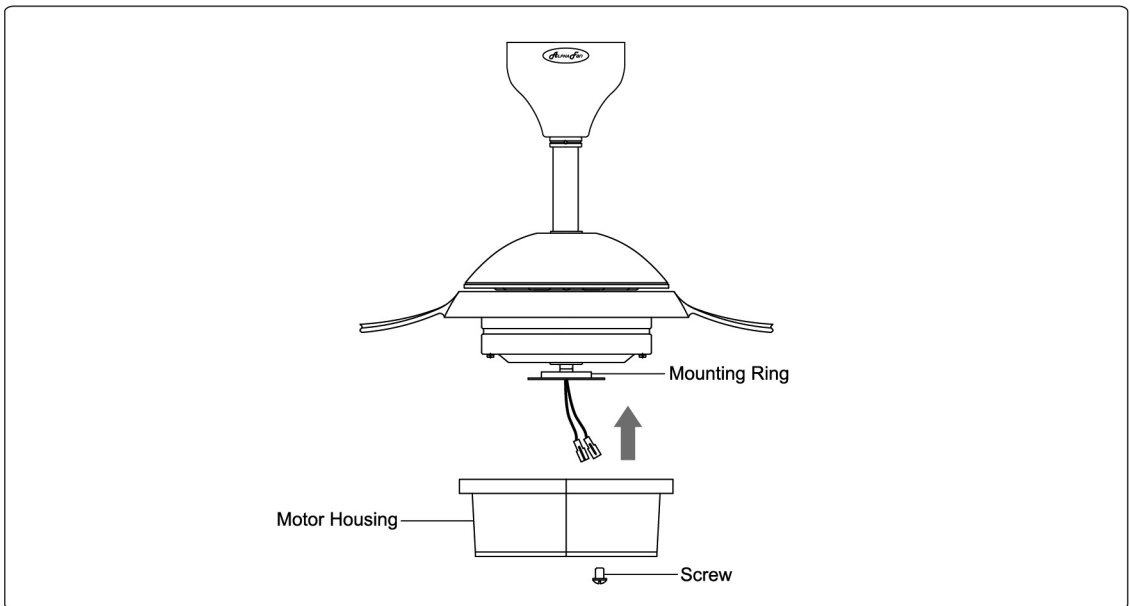


INSTALLATION INSTRUCTION

IMPORTANT : SWITCH OFF THE ELECTRICAL MAINS AT THE CIRCUIT BREAKER FUSE BOX.

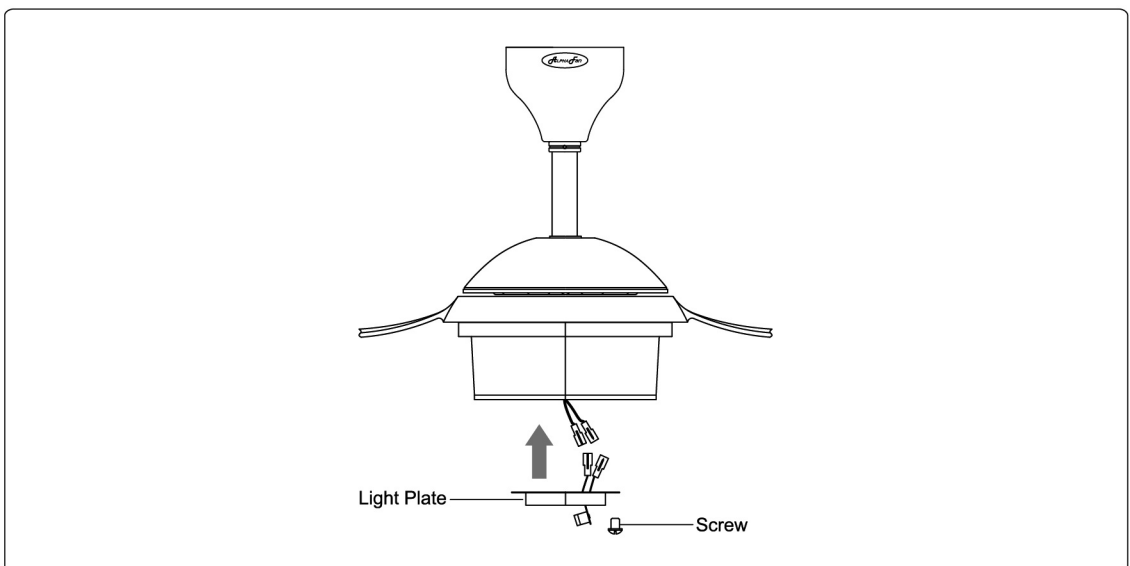
Step 7

- Remove 1 of 3 screws from the mounting ring and loosen the other 2 screws (do not remove).
- Place the key holes on the motor housing over the 2 screws previously loosened from the mounting ring, turn motor housing until it locks in place at the narrow section of the key holes.
- Secure by tightening the 2 screws and reinstall the one removed earlier.



Step 8

- Remove 1 of 3 screws from the motor housing and loosen the other 2 screws (do not remove).
- Match the key holes on the light plate and motor housing.
- Connect the wire connectors from light plate to motor according to colour.
- Install the light plate to motor housing and secure with the 2 screws and reinstall the one removed earlier.

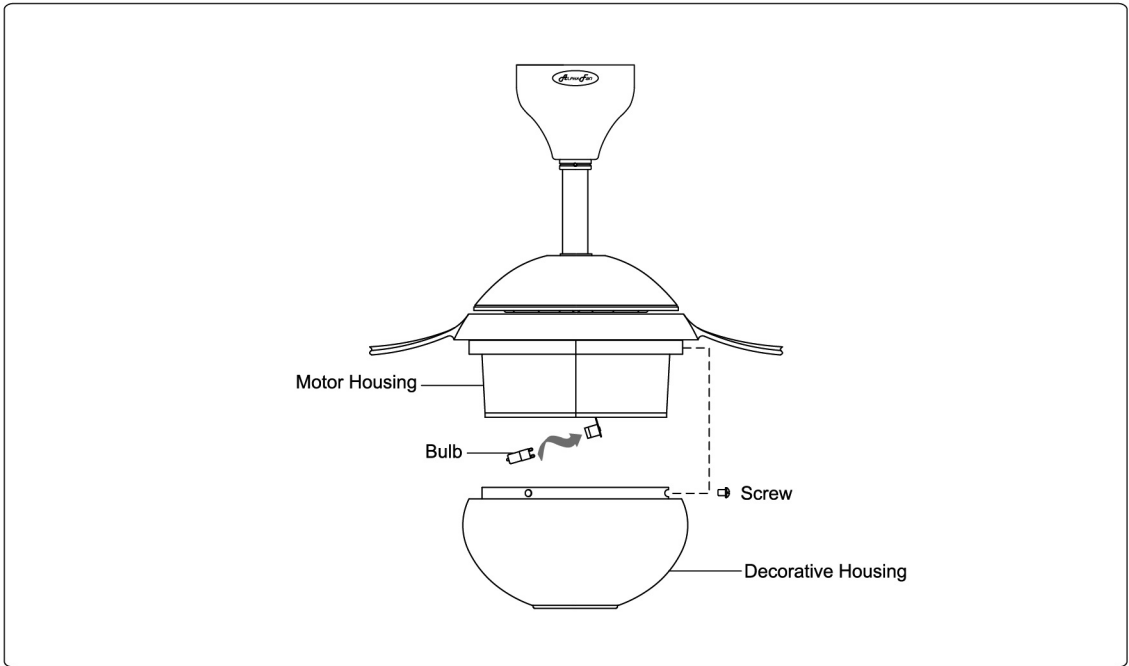


INSTALLATION INSTRUCTION

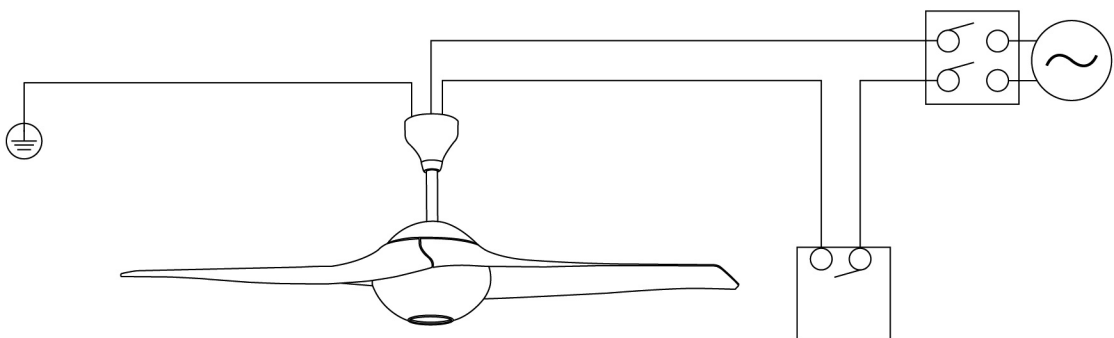
IMPORTANT : SWITCH OFF THE ELECTRICAL MAINS AT THE CIRCUIT BREAKER FUSE BOX.

Step 9

- a) Install the light bulb (G9 x 1 pc). Use light bulb that are in accordance with the fan's specifications.
- b) Install the decorative housing onto the motor housing and secure with 3 screws provided.

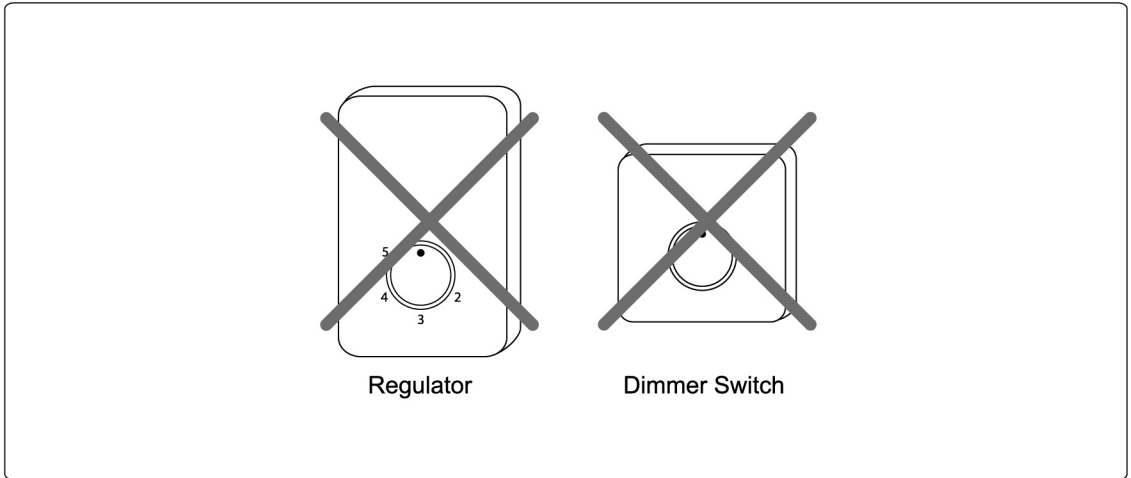


POWER SUPPLY CONNECTION

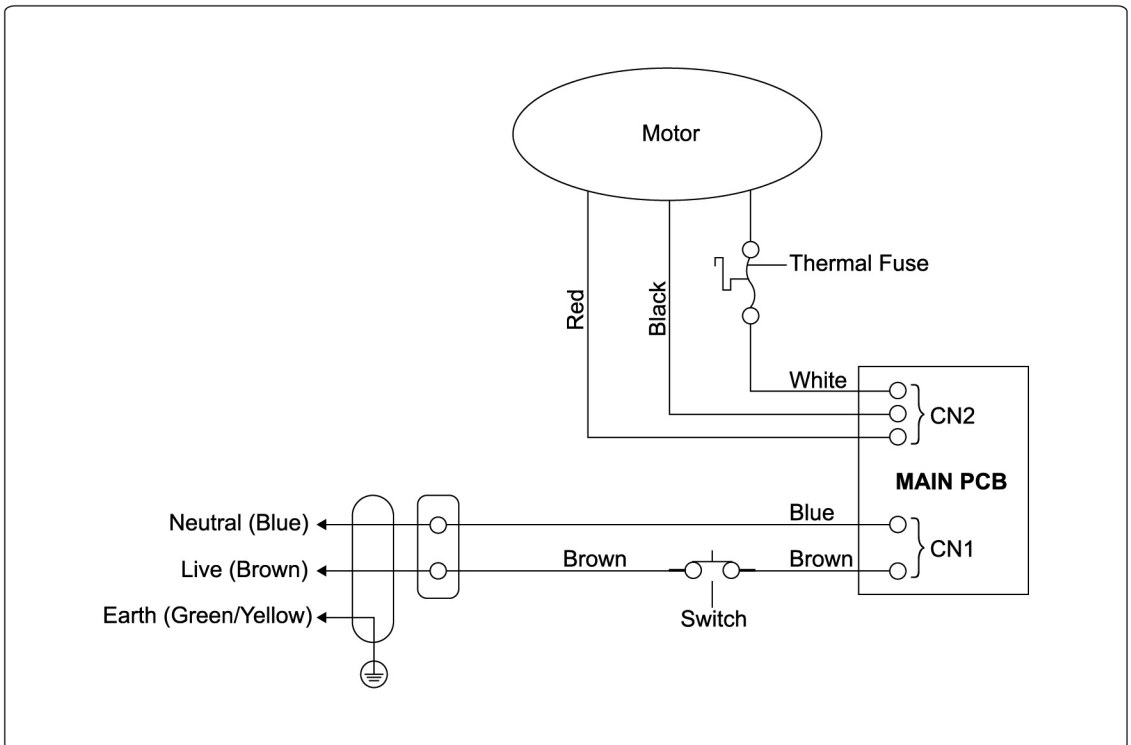


POWER SUPPLY CONNECTION

IMPORTANT : DO NOT CONNECT THIS REMOTE CONTROL CEILING FAN TO REGULATOR OR DIMMER SWITCH.

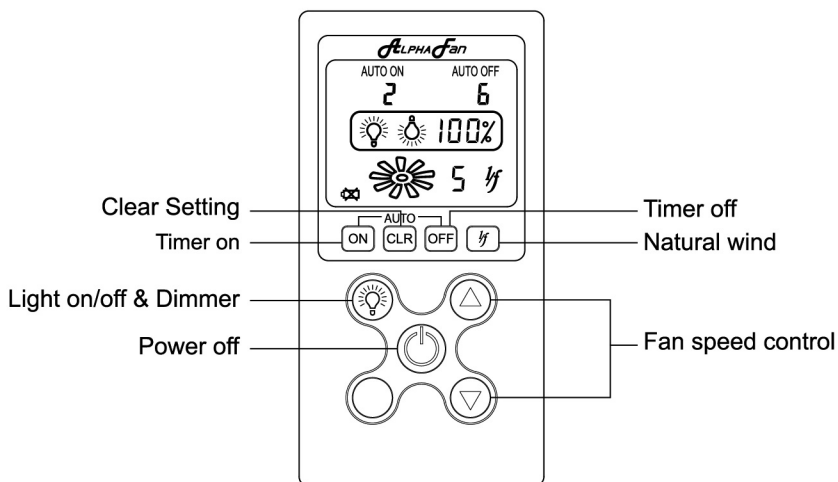


CIRCUIT DIAGRAM



TRANSMITTER FUNCTION

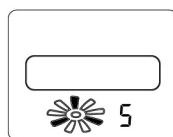
IMPORTANT : DO NOT CONNECT THIS REMOTE CONTROL CEILING FAN TO REGULATOR OR DIMMER SWITCH.



Fan Speed Control

Press / to select fan speed

Press to switch off the fan



Display the current fan speed

Auto On

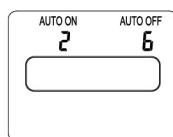
Press to set desire AUTO ON hour

To cancel AUTO ON, press

Auto Off

Press to set desire AUTO OFF hour

To cancel AUTO OFF, press



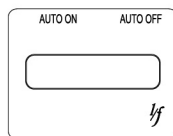
Display of the preset time

Example : Current time is 10am

	Setting
Auto On at 12pm	2
Auto Off at 4pm	6

Natural Wind

Press to activate function. Fan speed changes in sequence automatically



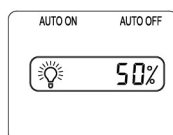
Display of the natural wind icon

Light On/Off

Press to switch on/off the light

Light Dimmer

Press and hold on to to dim the light to desire brightness

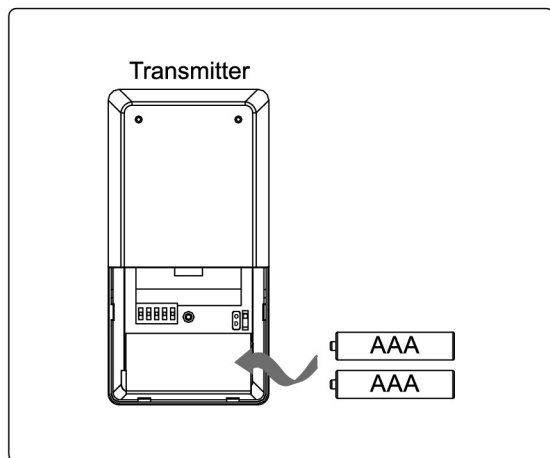


Display the percentage of the bulb brightness

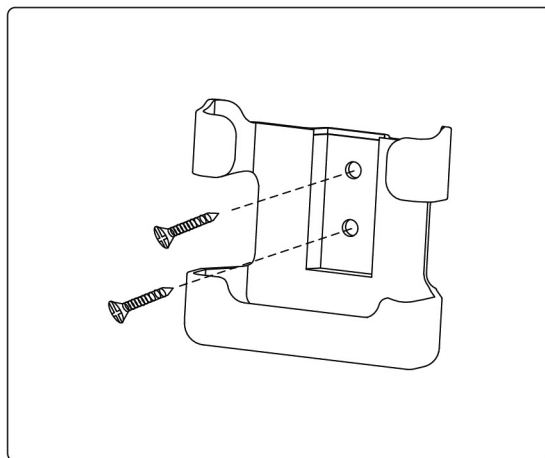
The transmitter & receiver is incorporated with last memory function. It stores the last reading/setting on memory and when the fan is switch on again, the operation will be as the last memory/setting.

TRANSMITTER ASSEMBLY

Insert the 2 pcs AAA batteries (provided) into the transmitter.



Mount the remote control holder on the wall with screws provided.



MAINTENANCE

IMPORTANT : SWITCH OFF THE ELECTRICAL MAINS AT THE CIRCUIT BREAKER FUSE BOX.

Due to the fan's natural movement, connections may get loose after a period of usage. To ensure a proper and safety usage, it is highly recommended to inspect and tighten all connections every 6 months.

Cleaning

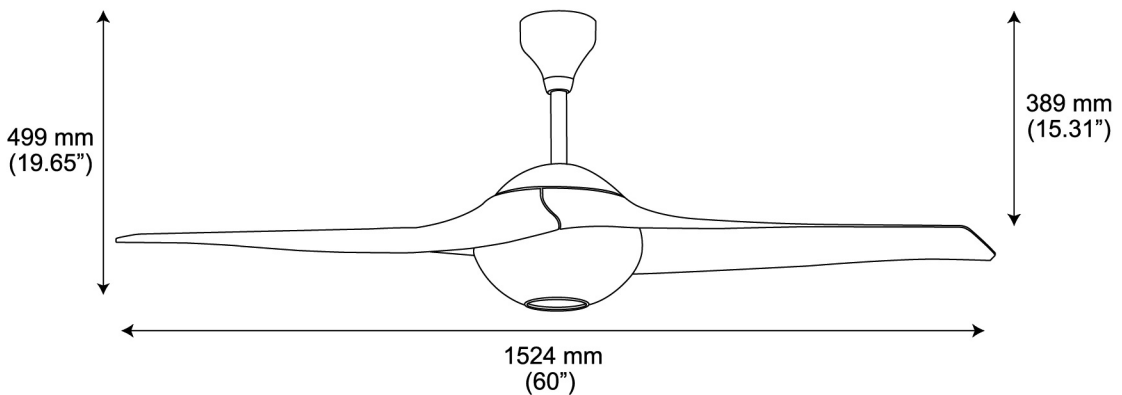
Cleaning your fan periodically will prolong its new appearance. Basic cleaning procedures are as follows :

1. Use only water and mild soap. Do not use solvents, corrosive or acidic solution.
2. Damp the cloth lightly. Use only soft or lint-free cloth to clean the fan. Rough fabric will scratch the surface.
3. Do not bent the blades while cleaning. At the event where blades are bent or damage, order new set of blades from service center or dealer shop.
4. There is no need to oil the fan.

TECHNICAL SPECIFICATIONS

Model	F180
No. of blades	2
Fan width	60"
Motor RPM	75 - 170
Light bulb	G9 x 1pc
Voltage	240V 50Hz
Wattage	20W - 90W

* Specification may subject to $\pm 5\%$ variations.



CUSTOMER SERVICE CENTRE

If you need any technical assistance or faulty report, please contact our customer service centre at :

Alpha Home Appliances Sdn. Bhd. (390258-H)

Head Office : 6, Jalan Sungai Kayu Ara 32/37, Berjaya Park, Sect 32,
40460 Shah Alam, Selangor.

Tel : 03-5740 6666

Fax : 03-5740 8220

Website : www.alphamalaysia.com

Email : info@alphamalaysia.com

Johor Bahru : 71, Jalan Molek 3/10, Taman Molek, 81100 Johor Bahru.

Tel : 07-353 4833 / 4933

Fax : 07-355 4233

Melaka : G-8, Jalan PM3, Plaza Mahkota, 75000 Melaka.

Tel : 06-292 2398 / 2399

Fax : 06-292 2392

Ipoh : 16, Jalan Tasek Timur, Taman Tasek Indra, 31400 Ipoh, Perak.

Tel : 05-545 2282 / 547 2282

Fax : 05-547 6282

Penang : 2744, Ground Floor, Jalan Chain Ferry, Taman Inderawasih, 13600 Prai.

Tel : 04-397 9923 / 9920

Fax : 04-397 9690