

ALPHA Fan™

Instruction Manual

CEILING FAN

Model : F620

TABLE OF CONTENT

Item	Page No.
1. Safety Precaution	1
2. Parts & Accessories	2
3. Installation Instruction	3 - 5
4. Circuit Diagram	5
5. Transmitter Assembly & Function	6 - 7
5. Safety Instruction, Maintenance and Technical Specifications	8 - 9
6. Customer Service Centre	9

SAFETY PRECAUTION

IMPORTANT : PLEASE READ BEFORE INSTALLATION.

1. Installation must be carried out by a qualified wiring installer.
2. Turn off the electrical mains at the circuit breaker fuse box.
3. Do not use power supply other than 240V 50Hz.
4. This appliance must be earthed.
5. When mounting the fan, ensure that the safety wire is loop across the ceiling mounting hook.
6. The ceiling mounting hook must be able to withhold a min. weight of 35 pounds.
7. The ceiling fan must be mounted at a min. height of 8.2 feet / 2.5m of clearance from the floor.
8. Do not place any objects in the path of the blades.
9. When all electrical connections are done, store all wires neatly.
10. Make sure that all screws and connection are tightly screwed and secured.

Warning

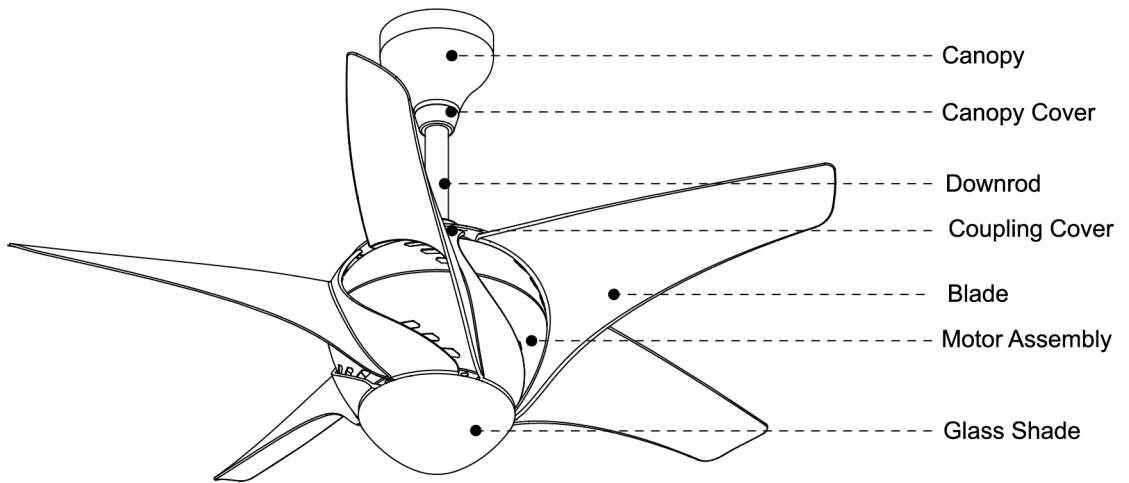
This product is designed to use only those parts supplied with this product and/or accessories designated specifically for use with this product. Using parts and/or accessories not designated for use with this product could result in personal injury or property damage.

Note

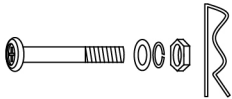
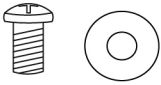
The illustrations in this manual are for explanation purposes only and may differ from the actual unit. It is subjected to change without prior notice for further improvements.

PARTS & ACCESSORIES

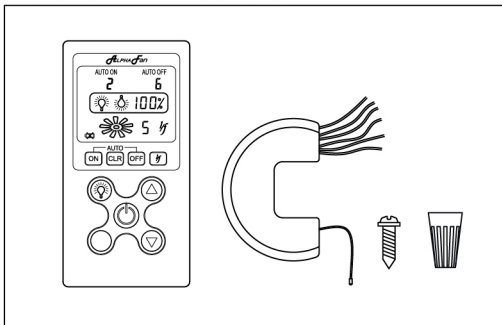
Item	Qty
1. Canopy	1
2. Canopy Cover	1
3. Downrod Assembly with Rubber Pulley	1
4. Coupling Cover	1
5. Motor Assembly	1
6. Blade	5
7. Glass Shade	1
8. Assembly Kit	1



Assembly Kit

	
Bolt x 1	Blade Screw & Washer x 21

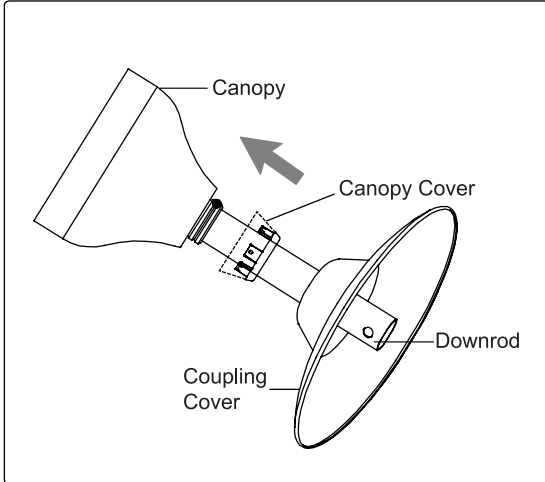
Receiver & Transmitter Kit



INSTALLATION INSTRUCTION

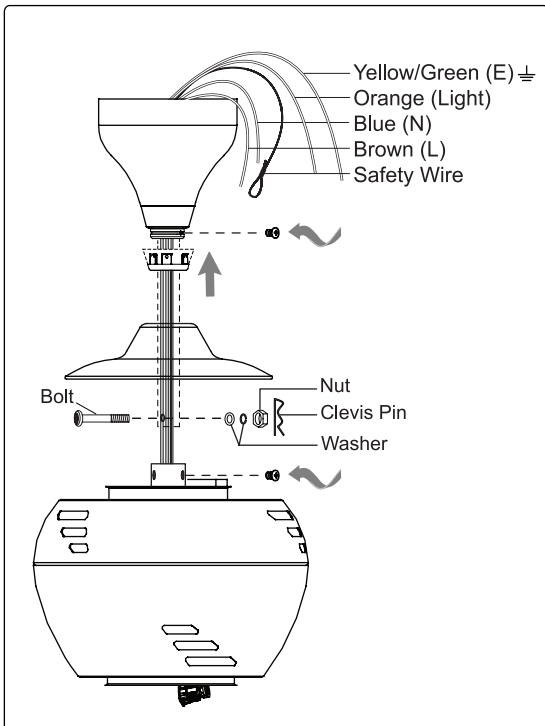
Step 1

Remove the bolt and clevis pin on the downrod and assemble the canopy, canopy cover and coupling cover through the downrod.



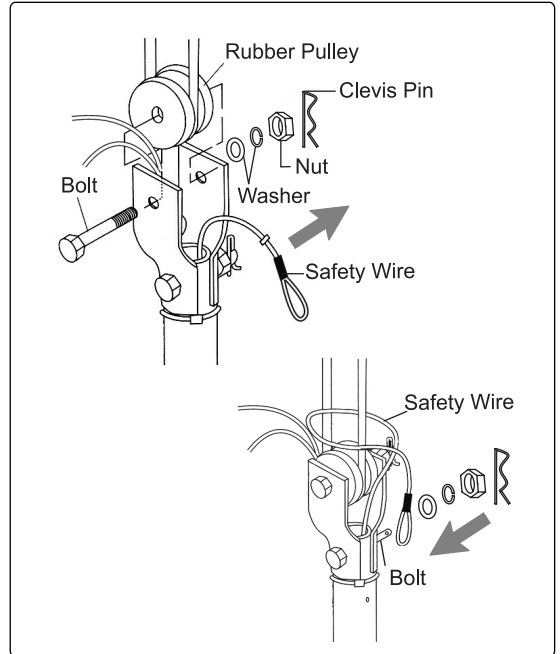
Step 2

- Route the safety wire, blue, brown and orange wires from the motor through the downrod.
- Fix the downrod to the shaft and insert the bolt and tighten secure with the clevis pin.



Step 3

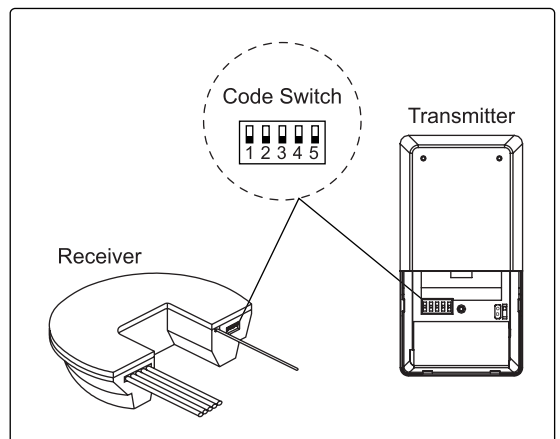
- Remove the bolt, clevis, nut, washer and rubber pulley from the downrod. Place the rubber pulley onto the ceiling hook and fix back the bolt, clevis, nut and washer.
- Tie the safety wire across the hook and insert into the bolt and secure with washer, nut and clevis pin.



Step 4

Match the codes on the receiver and transmitter to be the same mode.

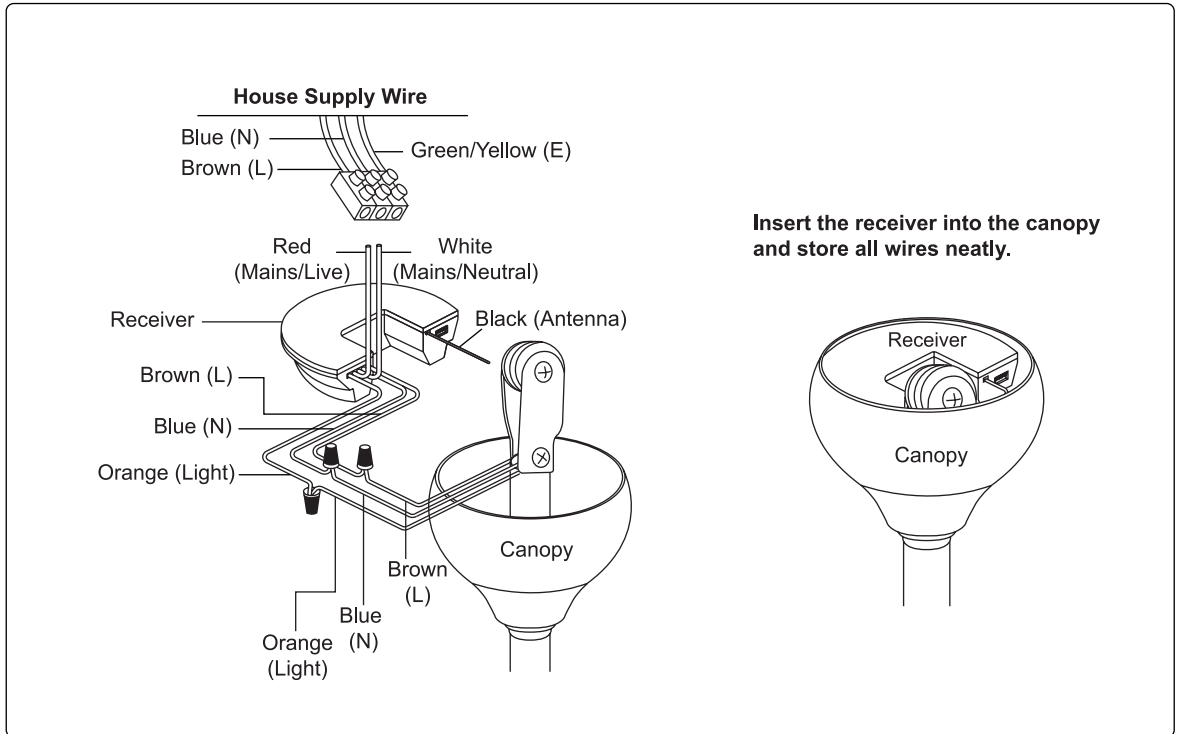
- To change the code, push the code switch up or down.
- To control 2 or more fans using 1 transmitter, set all receiver's code at the same mode with transmitter.



INSTALLATION INSTRUCTION

Step 5

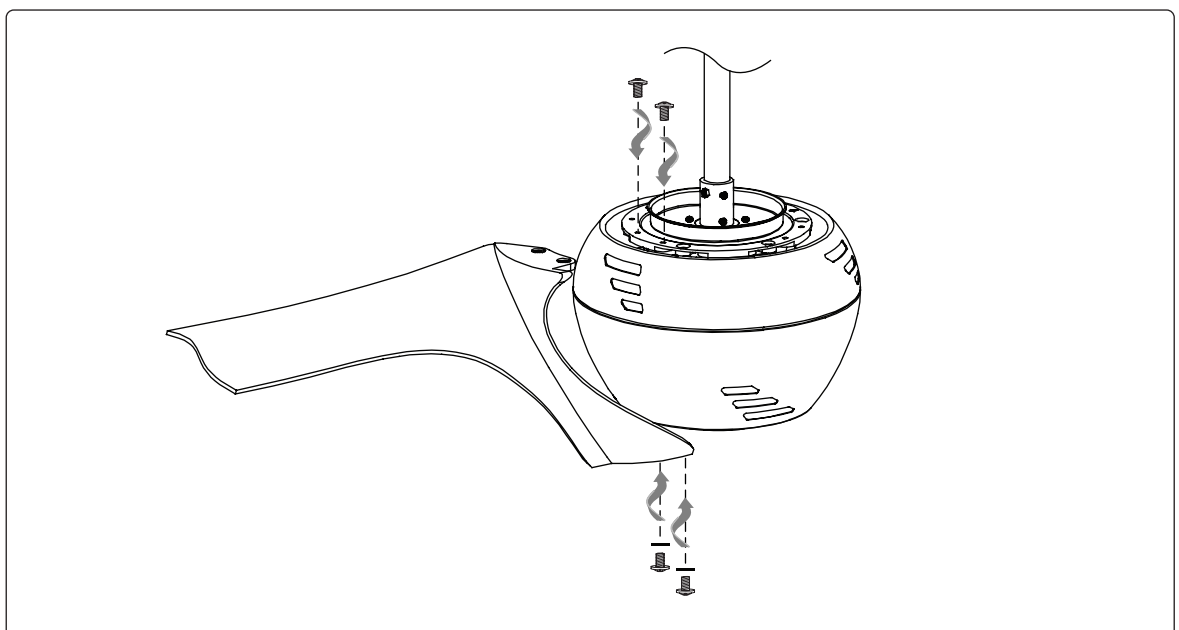
Connect the brown, blue and orange wires from the receiver to the fan. Connect the red, white and green wires to the house's supply wire.



Step 6

Align the holes on the blade with motor and screw on with the screws and washers provided.

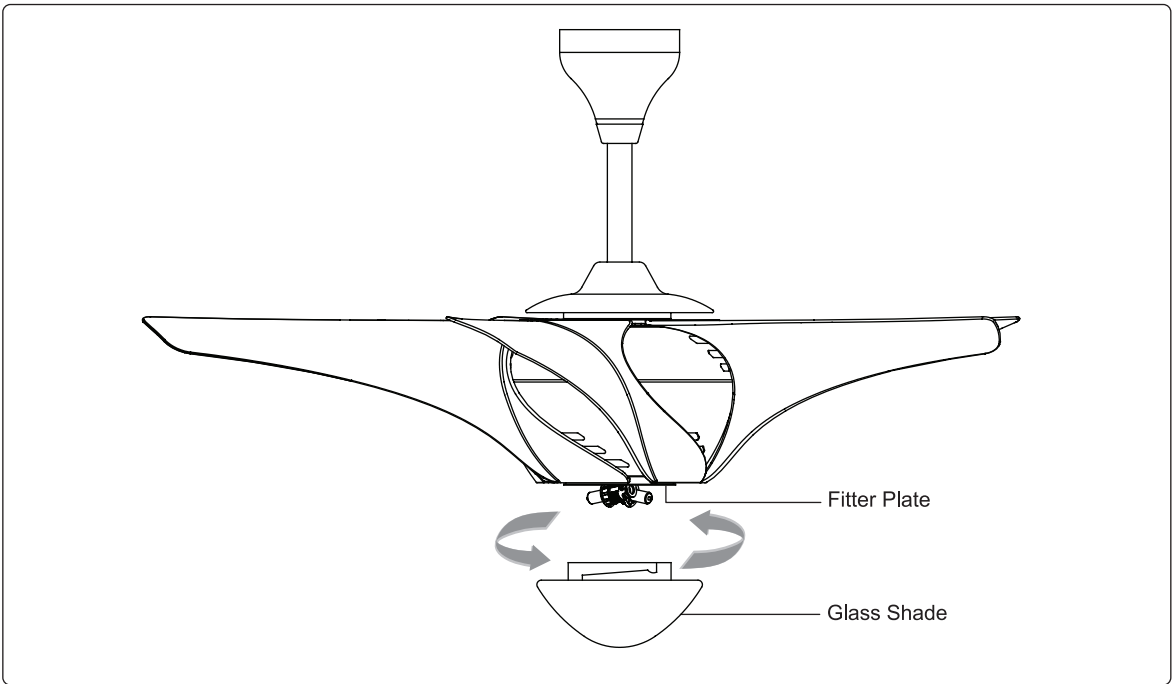
Important : Assemble the blades only after the ceiling fan is mounted on the hook.



INSTALLATION INSTRUCTION

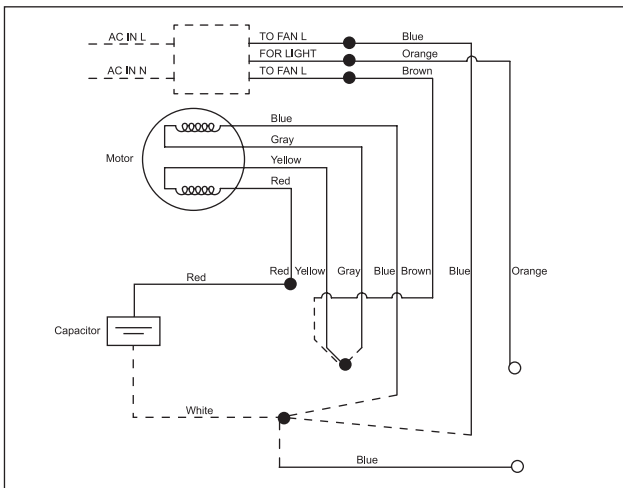
Step 7

Install the light bulbs (G9 x 2 pcs, not provided) and the glass shade aligning with fitter plate and twist in.



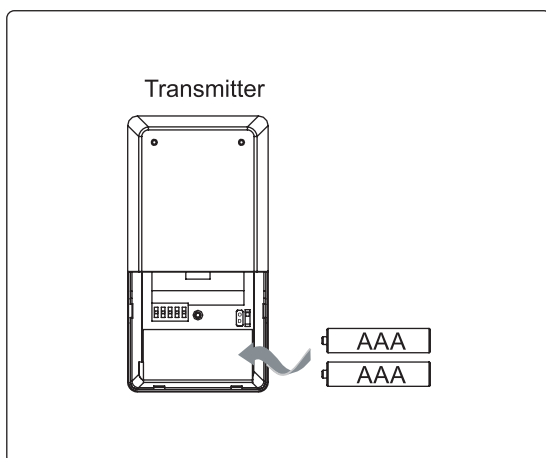
CIRCUIT DIAGRAM

IMPORTANT : DO NOT CONNECT THIS REMOTE CONTROL CEILING FAN TO DIMMER SWITCH OR WALL REGULATOR.

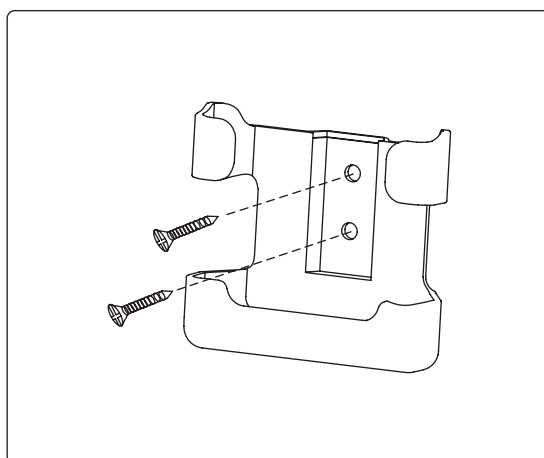


TRANSMITTER ASSEMBLY

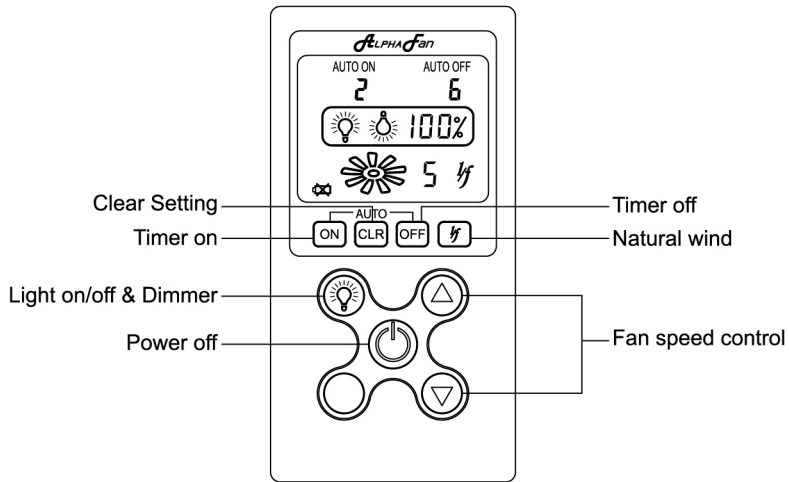
Insert the 2 pcs AAA batteries (provided) into the transmitter.



Mount the remote control holder on the wall with screws provided.



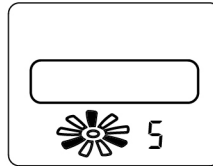
TRANSMITTER FUNCTION



Fan Speed Control

Press / to select fan speed

Press to switch off the fan

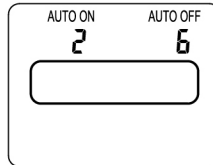


Display the current fan speed

Auto On

Press to set desire AUTO ON time

To cancel AUTO ON, press



Display of the preset time

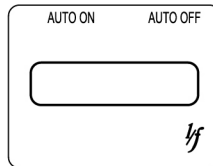
Auto Off

Press to set desire AUTO OFF time

To cancel AUTO OFF, press

Natural Wind

Press to activate function. Fan speed changes in sequence automatically



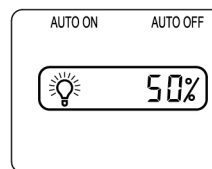
Display of the natural wind icon

Light On/Off

Press to switch on/off the light

Light Dimmer

Press and hold on to to dim the light to desire brightness



Display the percentage of the bulb brightness

The transmitter & receiver is incorporated with last memory function. It stores the last reading/setting on memory and when the fan is switch on again, the operation will be as the last memory/setting.

SAFETY INSTRUCTION

IMPORTANT : THIS APPLIANCE MUST BE EARTHED

CAUTION :

This product and its accessories requires regular service and maintenance carry out by qualified personnel only.

Do not place any objects in the path of the blades. Avoid raising objects or your arms near the ceiling fan.

MAINTENANCE

Due to the fan's natural movement, connections may get loose after a period of usage. To ensure a proper and safety usage, inspect the suspension system and tighten all connections every 6 months.

IMPORTANT : SWITCH OFF THE ELECTRICAL MAINS AT THE CIRCUIT BREAKER FUSE BOX.

Cleaning

Cleaning your fan periodically will prolong its new appearance. Basic cleaning procedures are as follows :

1. Use only lukewarm water. Do not use detergent, corrosive or acidic solution.
2. Damp the cloth lightly. Use only soft or lint-free cloth to clean the fan. Rough fabric will scratch the fan surface.
3. To cover small scratches, apply a light coat of shoe polish over it.
4. There is no need to oil the fan.

TECHNICAL SPECIFICATIONS

Model	F620
No. of blades	5
Fan width	42"
Motor RPM	85 - 210
Light bulb *	2 x 50W, G9
Voltage	240V 50Hz
Wattage	20W - 105W

* not provided

TECHNICAL SPECIFICATIONS

