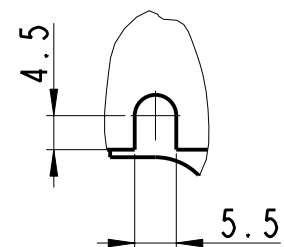
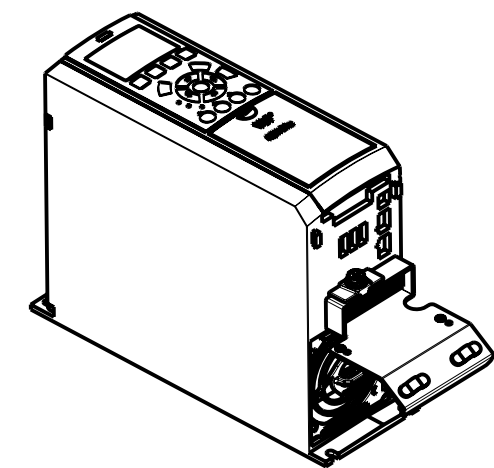
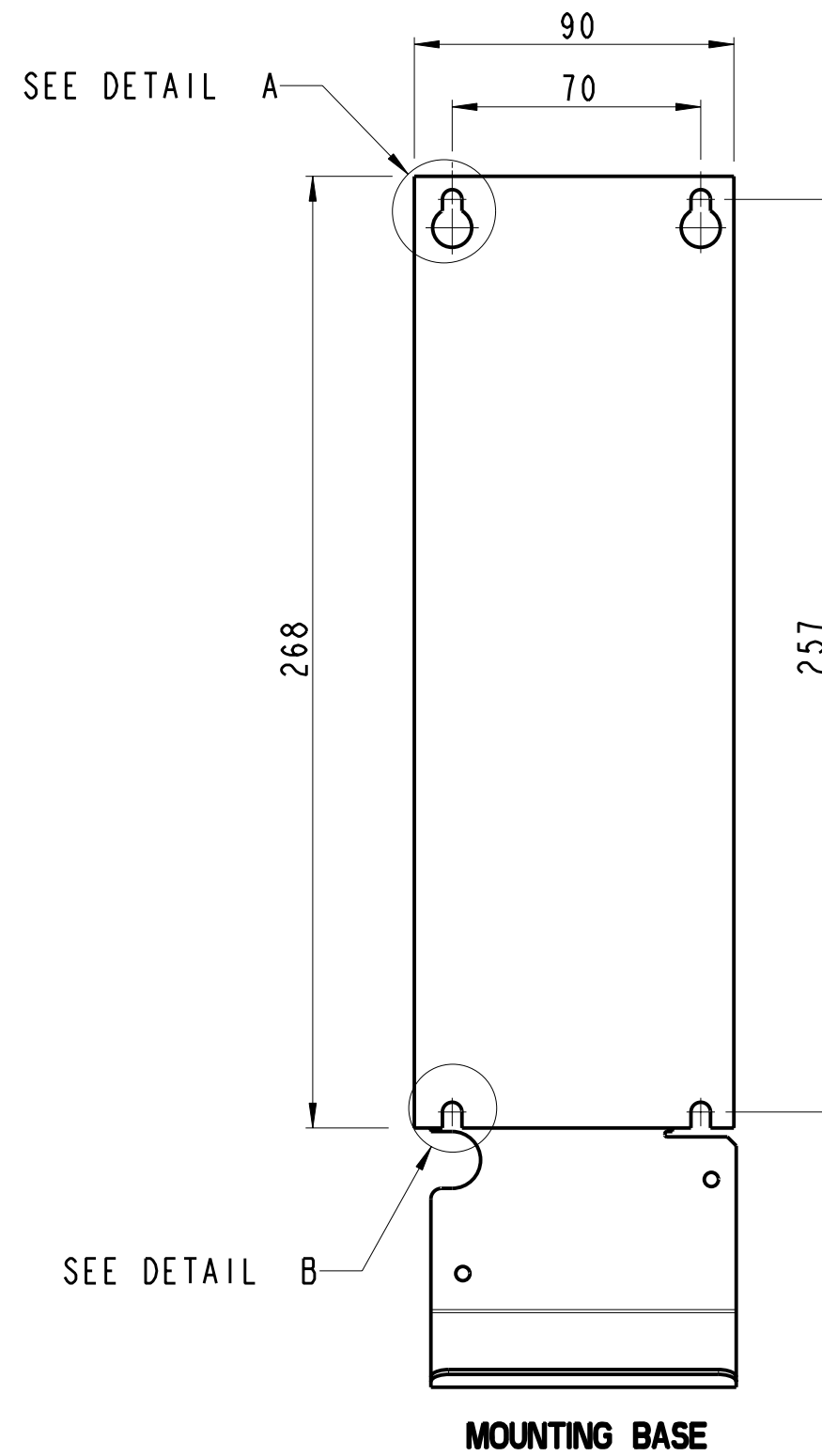
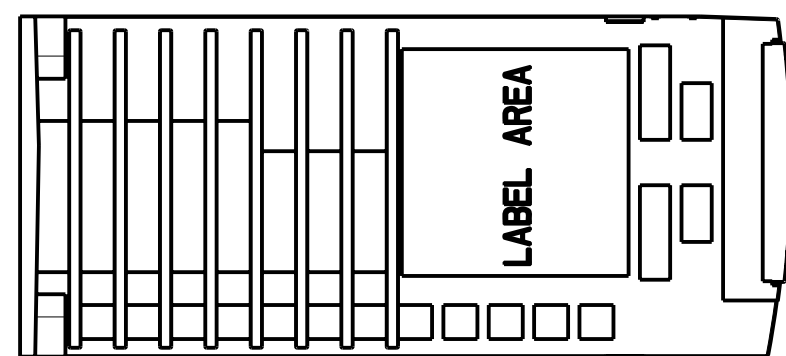
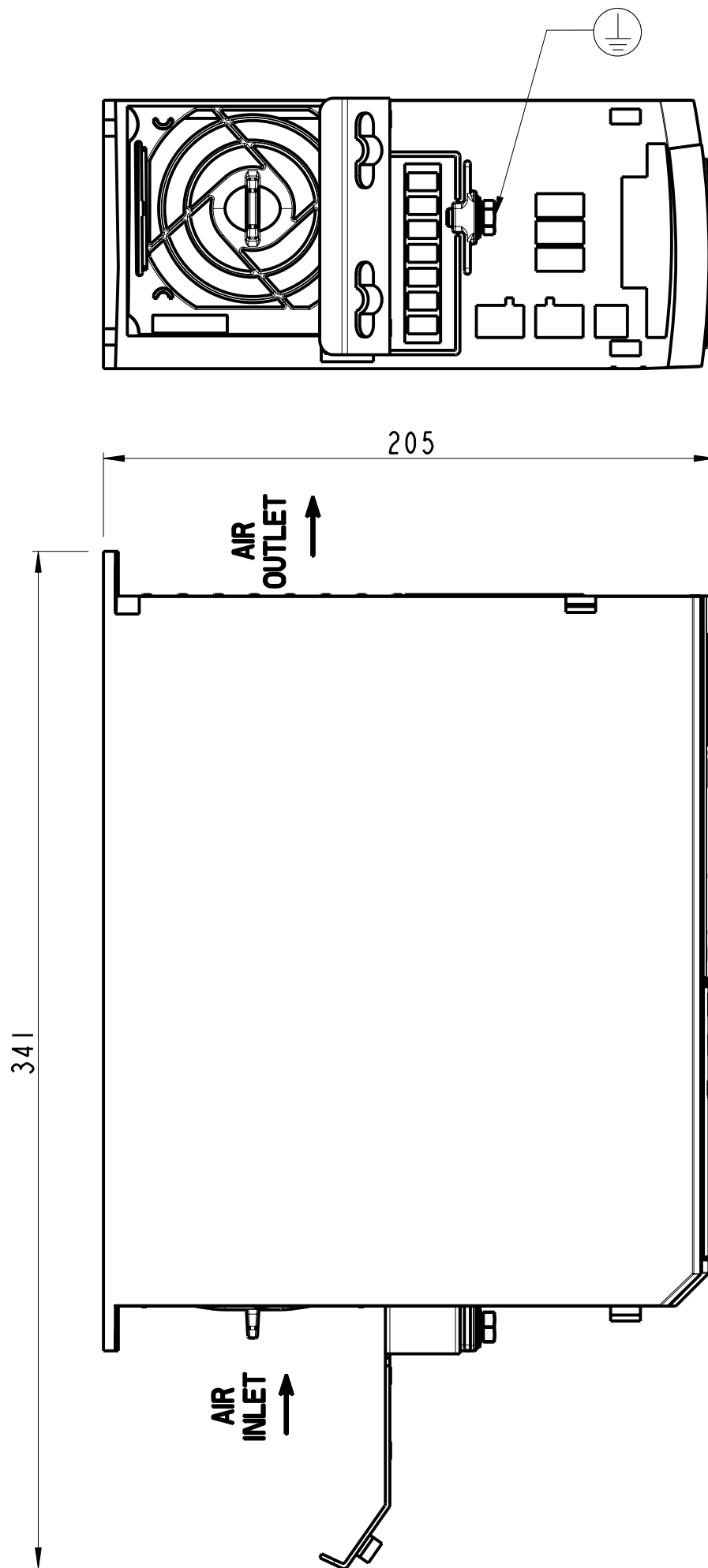


DETAIL A
SCALE 1:1



DETAIL B
SCALE 1:1



SCALE 1:5

Projection 	Scale / Paper size 1:2 / A2		Matr./Spec. ---
Last revised by JHK	Date 2007.03.26		Designation ENCLOSURE-A2-IP20
Confidential: Property of Danfoss Drives A/S. Not to be handed over to, copied or used by third party. Two- or three dimensional reproduction of contents to be authorized by Danfoss Drives A/S.		Part no. DANFOSS-FC200-A2-IP20-024	Sh. 1 of 1
PDM controlled drawing. - Hard copy not valid without frozen date in ID stamp.		Rev. 001	