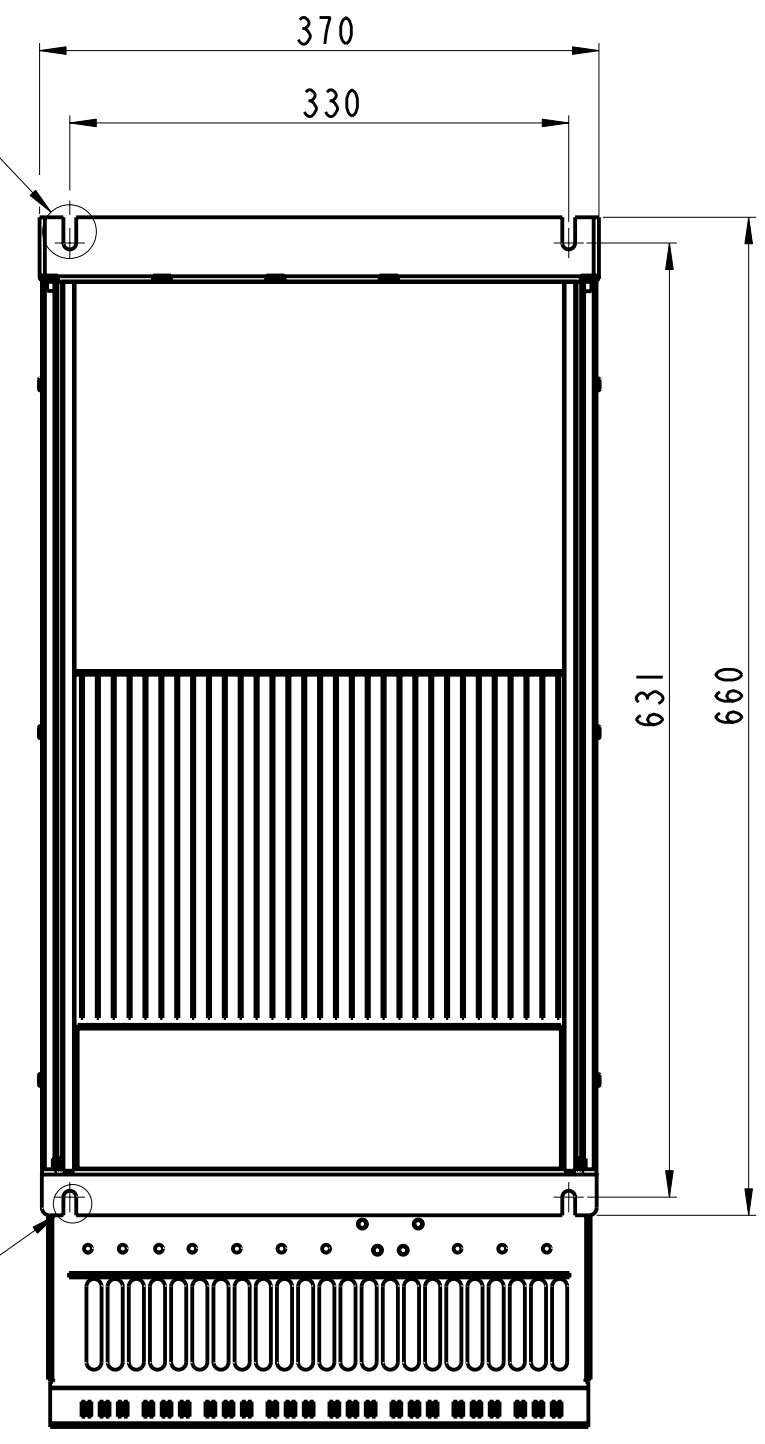
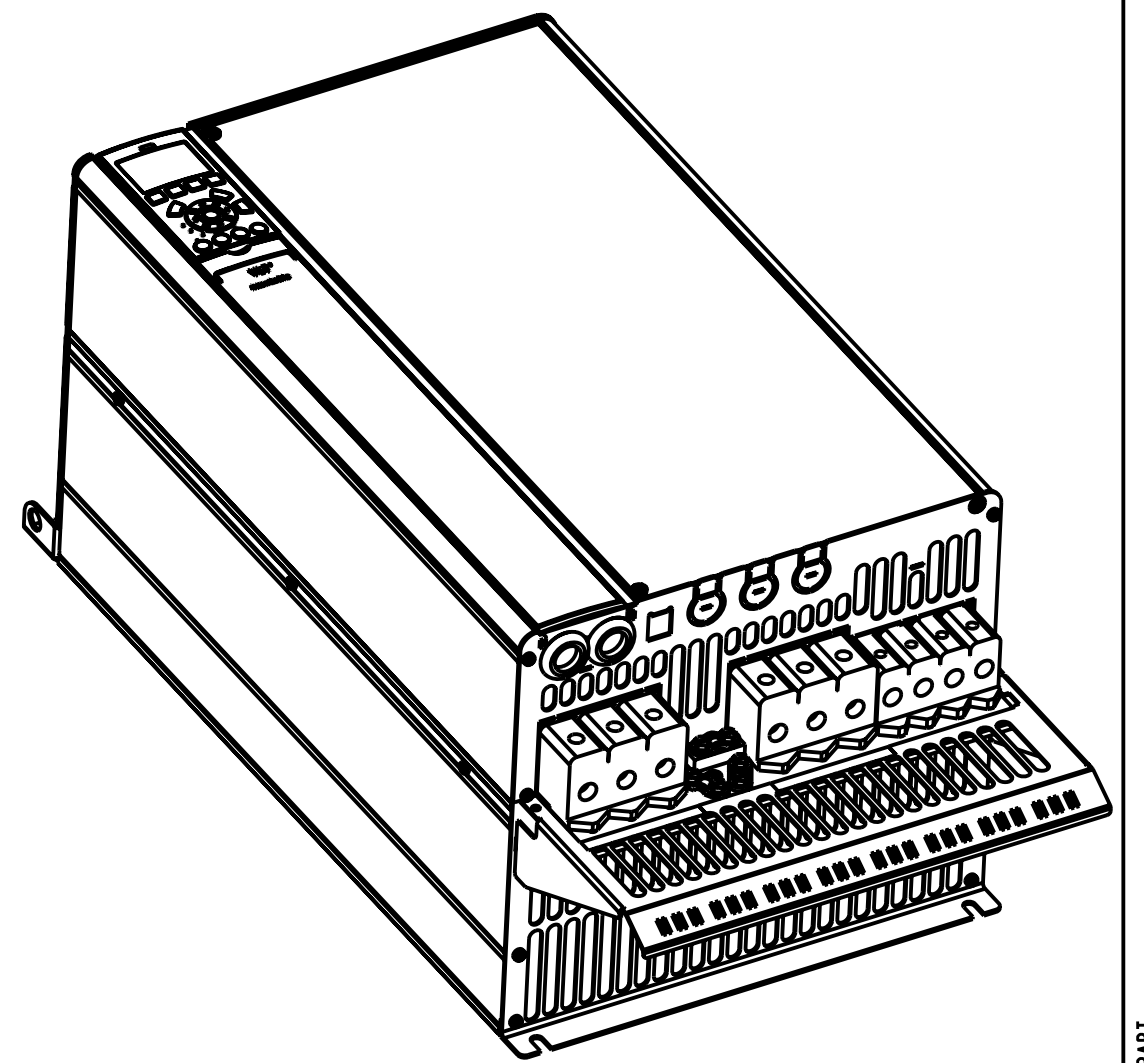


SEE DETAIL A

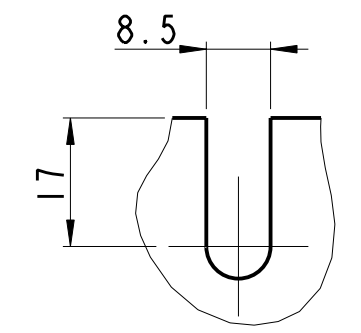
SEE DETAIL B



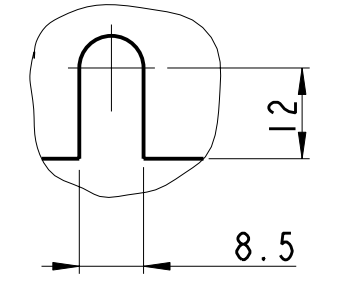
MOUNTING BASE



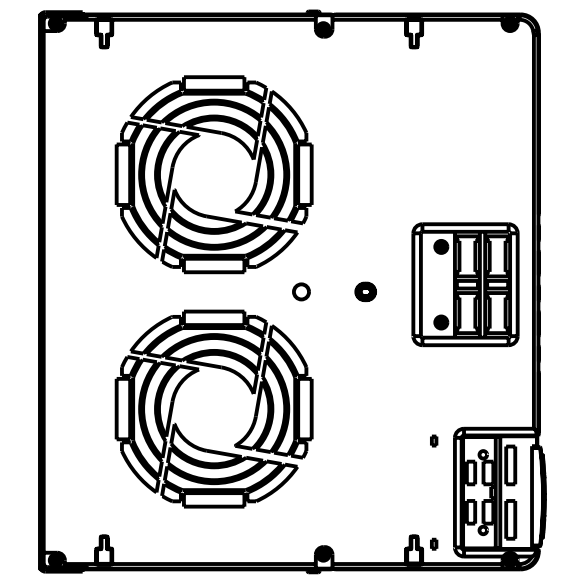
SCALE 1:5



DETAIL A  
SCALE 1:1



DETAIL B  
SCALE 1:1



Projection 	Scale / Paper size 1:5 / A2		Matr./Spec. -----
Last revised by -	Date 2007.07.11		Designation ENCLOSURE-C4-IP20
Confidential: Property of Danfoss Drives A/S. Not to be handed over to, copied or used by third party. Two- or three dimensional reproduction of contents to be authorized by Danfoss Drives A/S.		DANFOSS DRIVES A/S	Part no. DANFOSS-FC300-C4-IP20-129 1 of 1
PDM controlled drawing. - Hard copy not valid without frozen date in ID stamp.			Rev. 001

Model: DANFOSS-FC300-C4-IP20-129 - PART